

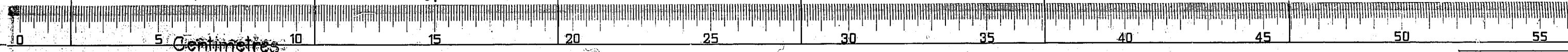
PART OF ACCESS SELECTOR CIRCUIT EXPLANATORY ONLY

FOR NOTES, BATT. BETH ROUTING SEE SHT 2

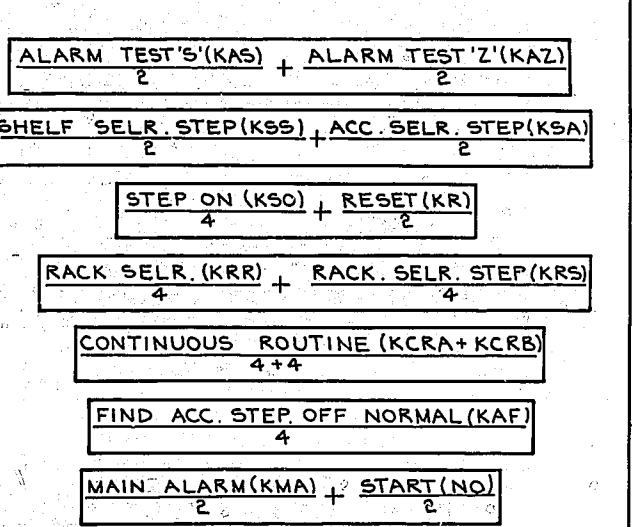
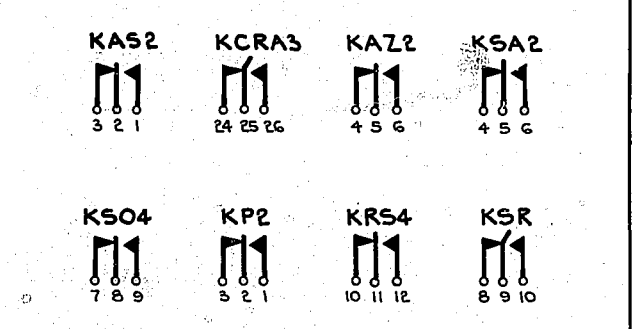
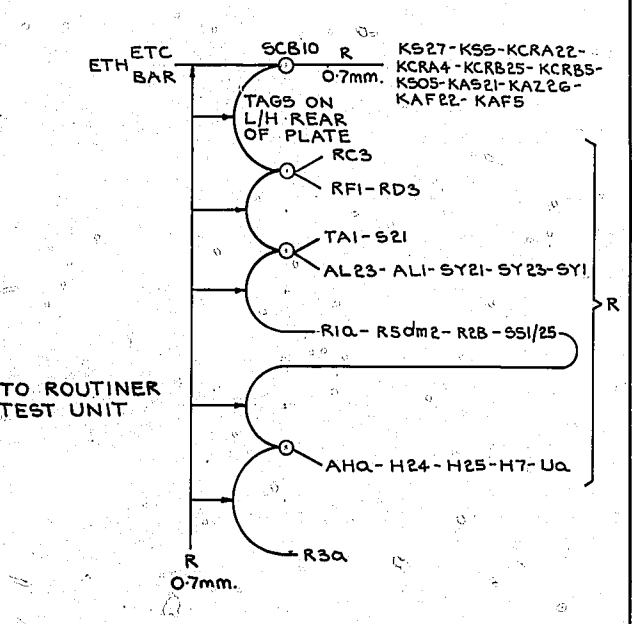
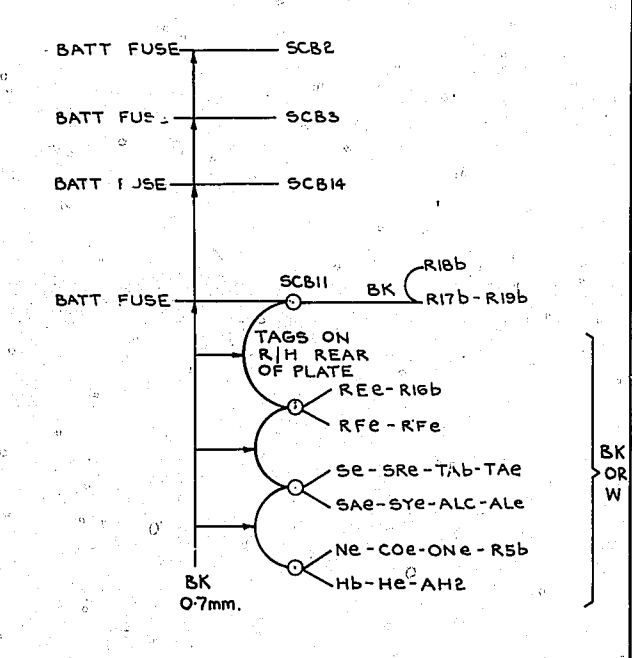
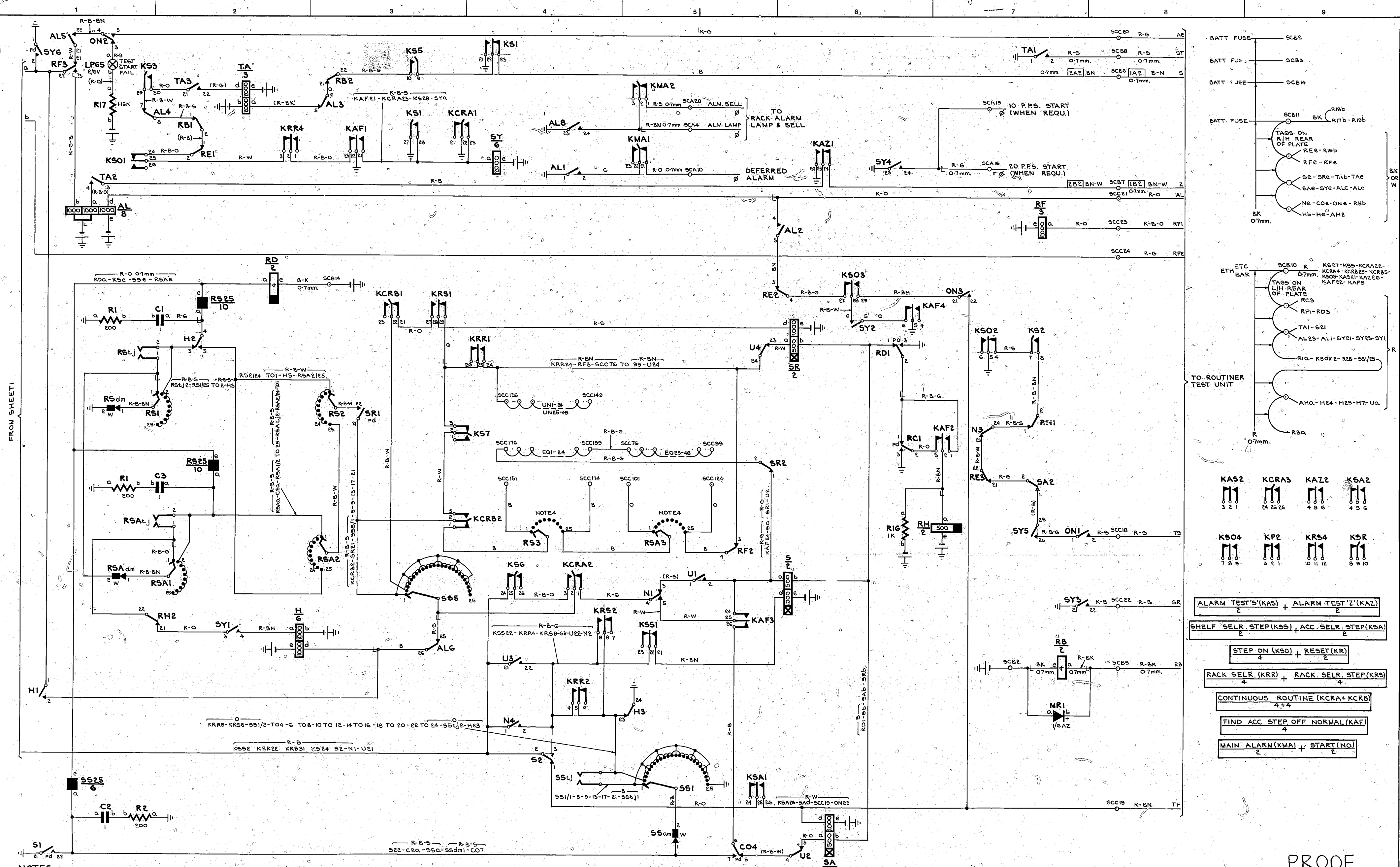
**ROUTINES ACCESS CONTROL FOR FINAL SELECTOR ROUTER
UNISELECTOR ACCESS SELECTOR MOUNTED ON APPARATUS RACKS CAPACITY 24 OR 72 RACKS 2000 TYPE**

3	03.05	NJG	REL	1632	RETRACTED & METRICATED	
2	04.07	NJG	REL	1632	NOTE 7 ADDED	
1	03.07	NJG	REL	1632		
ISS DATE	REL	PC	ORDER	CD	APP	CHANGE
DRN:	TE	CKD	ORIGIN:	TE		
TCD:	NJG	APPD	STANDARD	ATW23001		
NZ PO:	ENGINEER - IN-CHIEF,	WELLINGTON				
SHT	1 of 2					
SIZE	A1					
						GBW 16331

PROOF



UD 237



NOTES.

- FUSING:-
1.5A FOR RELAYS & RESISTORS IN ACCESS CONTROL & ASSOCIATED TEST UNIT.
1.0A FOR RELAY RB.
1.0A FOR RELAY RC.
1.0A FOR RELAY RD.
- ALL WIRE TO BE 0.5mm. UNLESS OTHERWISE SPECIFIED.
- FOR WIRING SEE GBW 11560 OR EQUIV.
- FOR EQUIPPED RACK SELECTOR SWITCH POSITIONS STRAP CORRESPONDING "RS" TAGS TO "EQ" TAGS.
FOR UNEQUIPPED RACK SELECTOR SWITCH POSITIONS STRAP CORRESPONDING "RS" TAGS TO "UN" TAGS.

- ALL "AN" TAGS CORRESPONDING TO UNEQUIPPED ACCESS SELECTOR POSITIONS TO BE STRAPPED TO THE "SU" COMMON.
- AD & AH LEADS TO RACKS 2-48 ARE CABLED SIMILAR TO RACK NE1
- THE RESISTANCE OF THE TEST AND CONTROL LEADS FROM THE TEST AND ACCESS CONTROL UNITS TO THE EQUIPMENT UNDER TEST SHALL NOT EXCEED 5 OHMS.

ROUTINES ACCESS CONTROL FOR
FINAL SELECTOR ROUTER
UNISELECTOR ACCESS SELECTOR
MOUNTED ON APPARATUS
RACKS CAPACITY 24 OR 72
RACKS 2000 TYPE.

ISS DATE	DEL CD	ORDER	CKD APPD	CHANGE
5 20 68	LN	ARL	BY	10
2 14 67				
1 5 67				

RETRACED & METRICATED
NOTE 7 ADDED

DRNT-EQPT	CKD	ORIGINT-EQPT
TCD L.N.	APPD	STANDARD ATW 22001
NZPO ENGINEER-IN-CHIEF WELLINGTON		
SHT 2 OF 2 GBW 16331		
SIZE A1		

