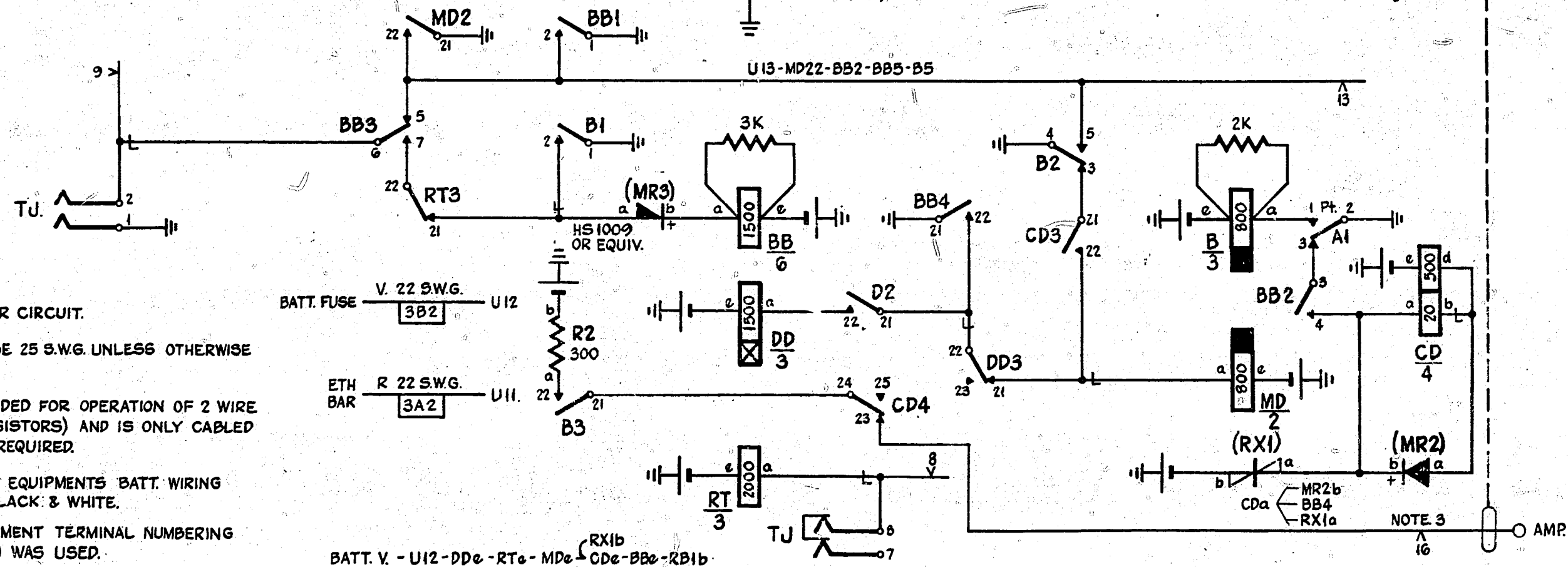
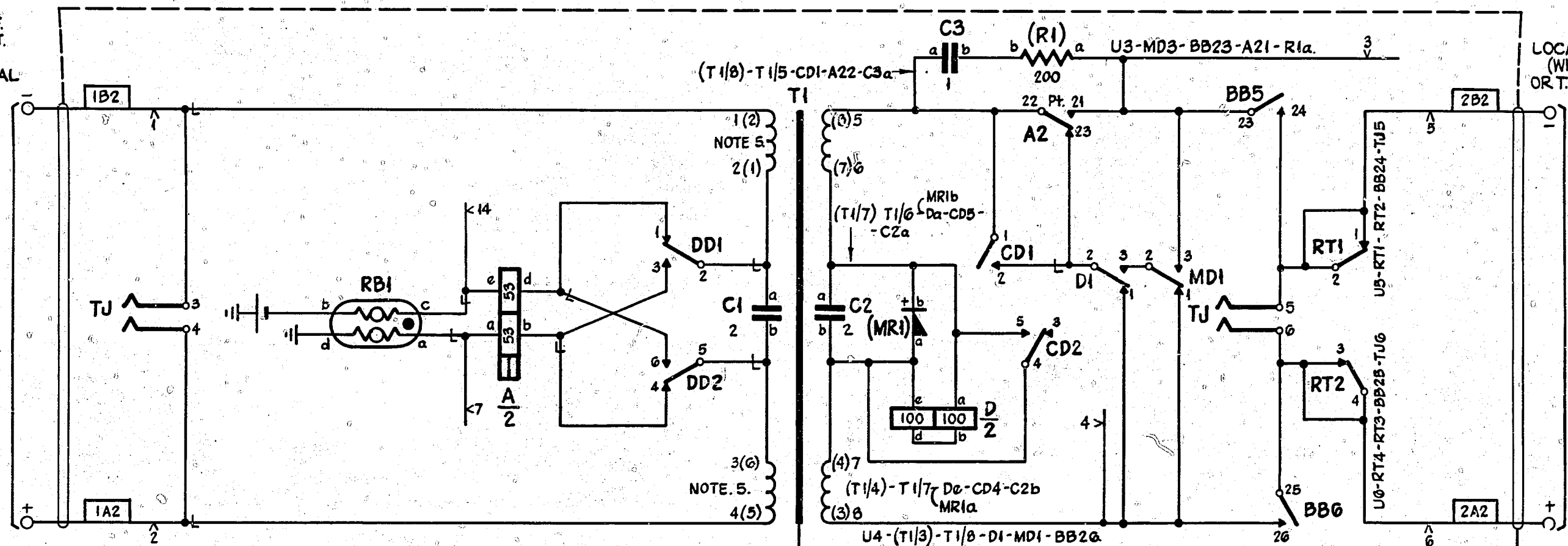


I.D.F.  
MULT.  
OR  
LOCAL

I.D.F.  
LOCAL OR MULT.  
(WHEN REQ'D)  
OR T.J.F. DIRECT.

FROM  
I/C  
JUNC.

TO  
O/G. JUNC.



- NOTES.
1. FUSE: 1.5A PER CIRCUIT.
  2. ALL WIRING TO BE 25 S.W.G. UNLESS OTHERWISE SPECIFIED.
  3. THIS LEAD PROVIDED FOR OPERATION OF 2 WIRE AMPLIFIERS (NEGISTORS) AND IS ONLY CABLED TO I.D.F. WHEN REQUIRED.
  4. ON SOME EARLY EQUIPMENTS BATT. WIRING COLOUR WAS BLACK & WHITE.
  5. ON EARLY EQUIPMENT TERMINAL NUMBERING SHOWN THUS. (1) WAS USED.

AUTO TO AUTO RELAY SET NON-METERING TWO WIRE INTERMEDIATE PULSE REPEATER.				
RETRACED FROM ISS. A	(17005)	B	17-12-79	JR
	(16065)	A	17-8-70	Rw
AMENDMENT PARTICULARS.	ISS.	DATE	APD	REF.
				SIZE: S
				50V H
TU 8	N.Z.P.Q.	DRAWN A.E.C.	CHECKED N.P.H.	WIRING N.P.H.
				CIRCUIT 30
				G.B.W. 16200 MOD. A.

