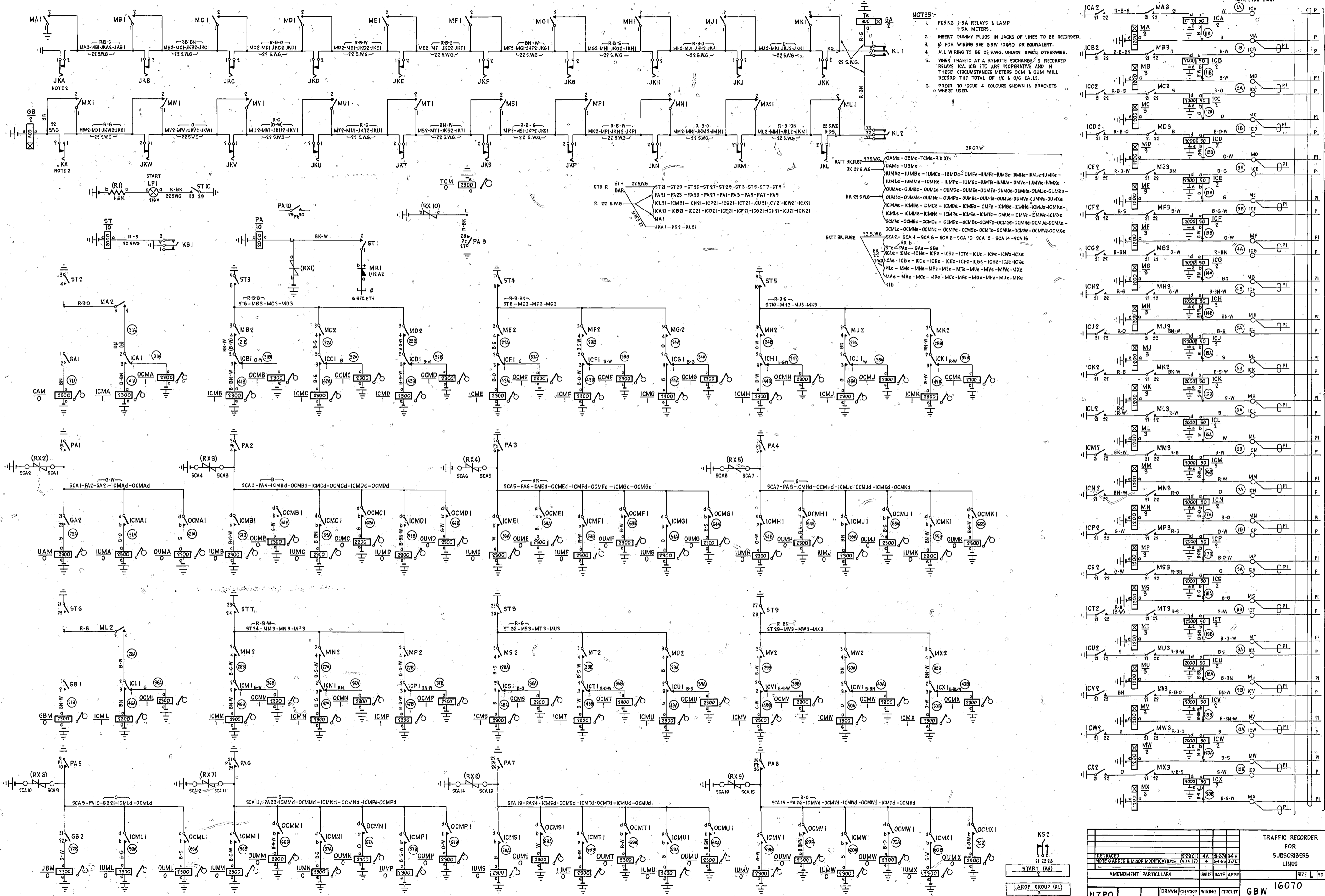
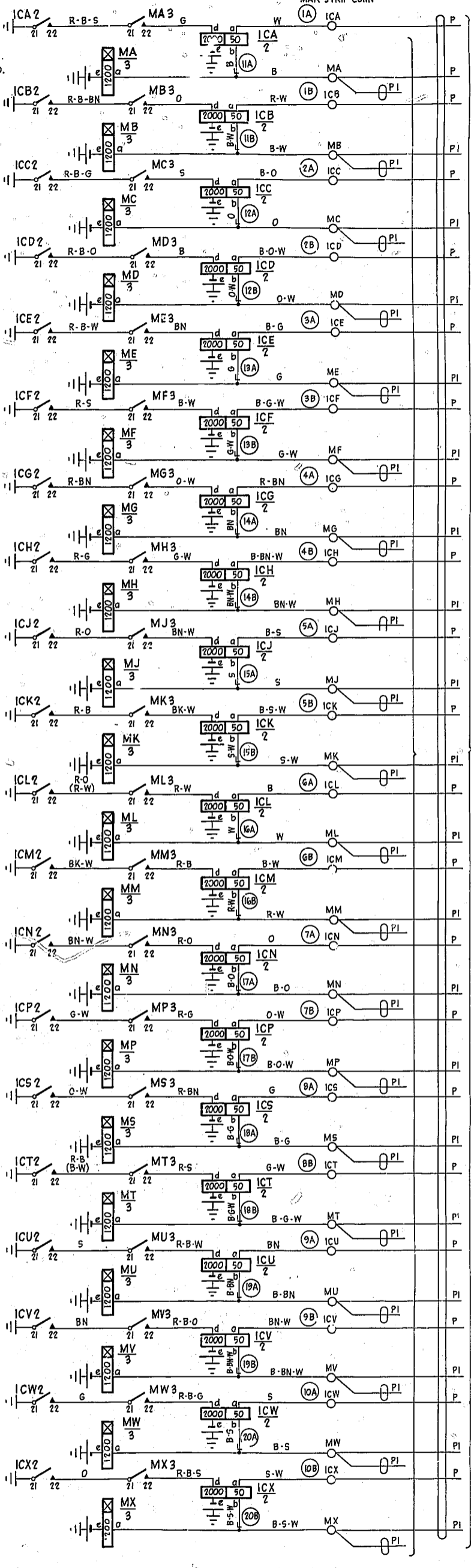


0  
5 Centimetres  
10  
15  
20  
25  
30  
35  
40  
45  
50  
55



- NOTES:-
1. FUSING 1.5A RELAYS & LAMP 1.5A METERS.
  2. INSERT DUMMY PLUGS IN JACKS OF LINES TO BE RECORDED.
  3. Ø FOR WIRING SEE GBW 10690 OR EQUIVALENT.
  4. ALL WIRING TO BE 22 S.W.G. UNLESS SPEC'D OTHERWISE.
  5. WHEN TRAFFIC AT A REMOTE EXCHANGE IS RECORDED RELAYS ICA, ICB ETC ARE INOPERATIVE AND IN THESE CIRCUMSTANCES METERS OCM & OUM WILL RECORD THE TOTAL OF IC & O/G CALLS.
  6. PRIOR TO ISSUE 4 COLOURS SHOWN IN BRACKETS WHERE USED.



AMENDMENT PARTICULARS		ISSUE DATE	APP'D	SIZE L	50 V	W
NZPO						

TRAFFIC RECORDER FOR SUBSCRIBERS LINES

GBW 16070

MULTIPLIED OVER FINAL SELR. RACKS REQUIRING TRAFFIC RECORDING FACILITIES (ORDINARY RACKS) OR MISC. STRIP CONN. ON GRADING FRAME (COMPOSITE UNISLR), FINAL SLR RACKS