

FIG. 1C

(WHEN USED AS LOCAL 2ND GROUP SEL'R)

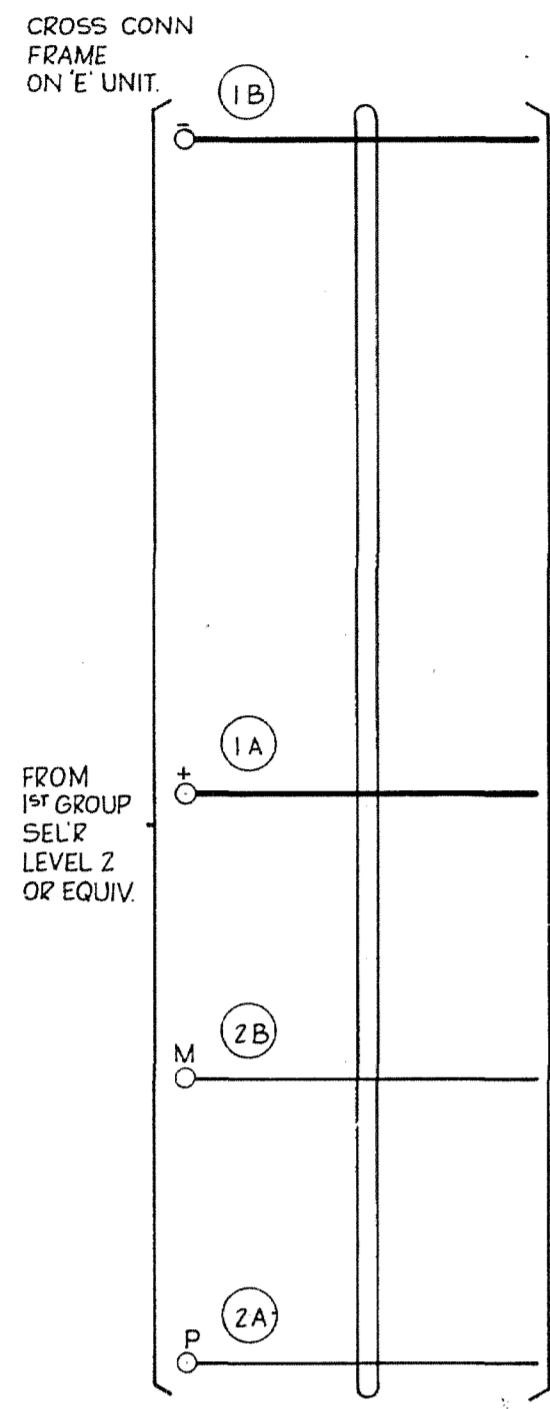


FIG. 3 (TRUNK OFFERING)
NOTE 12 & NZ NOTE B

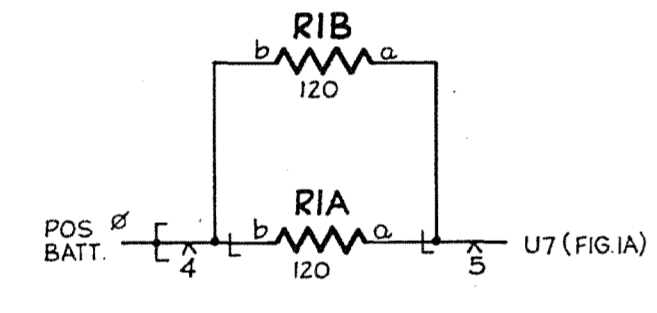


FIG. 1B

(WHEN USED AS AN I/C 1ST OR 2ND GROUP SEL'R)

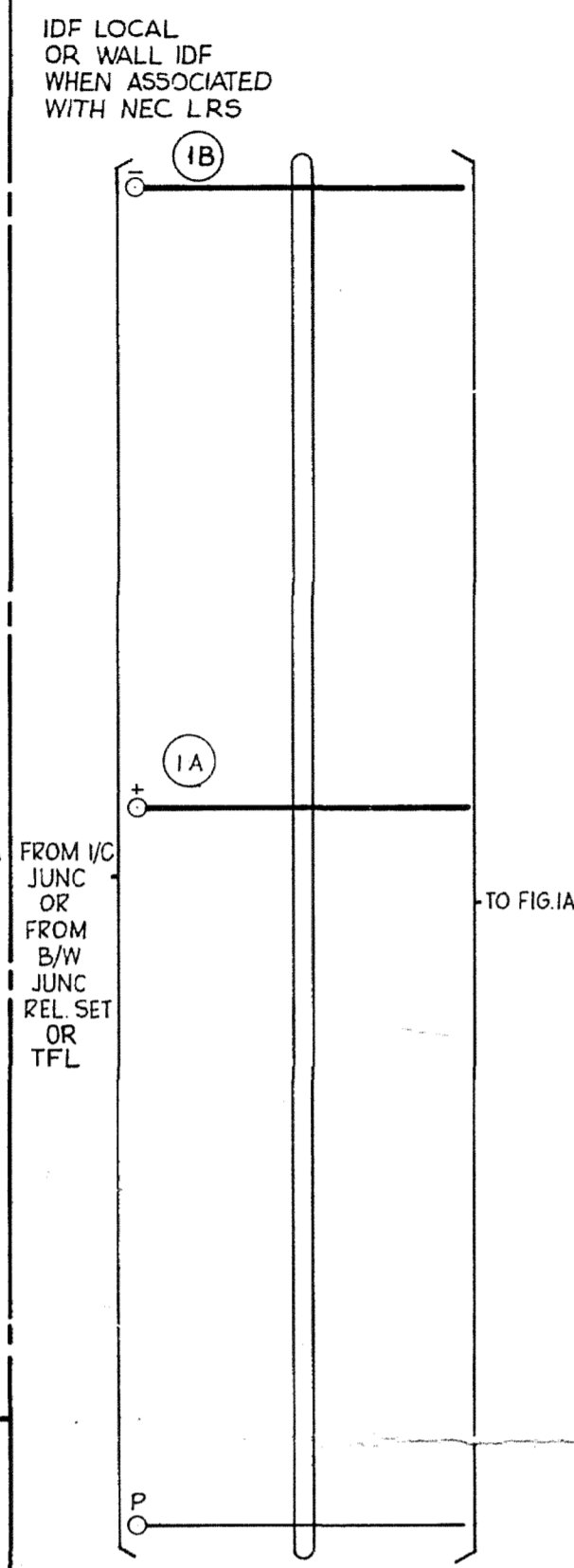
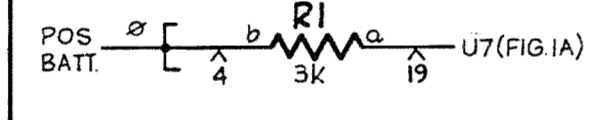


FIG. 2 (CONTROL OF ROUTE RESTRICTION)
NOTE 12 AND NZ NOTE B



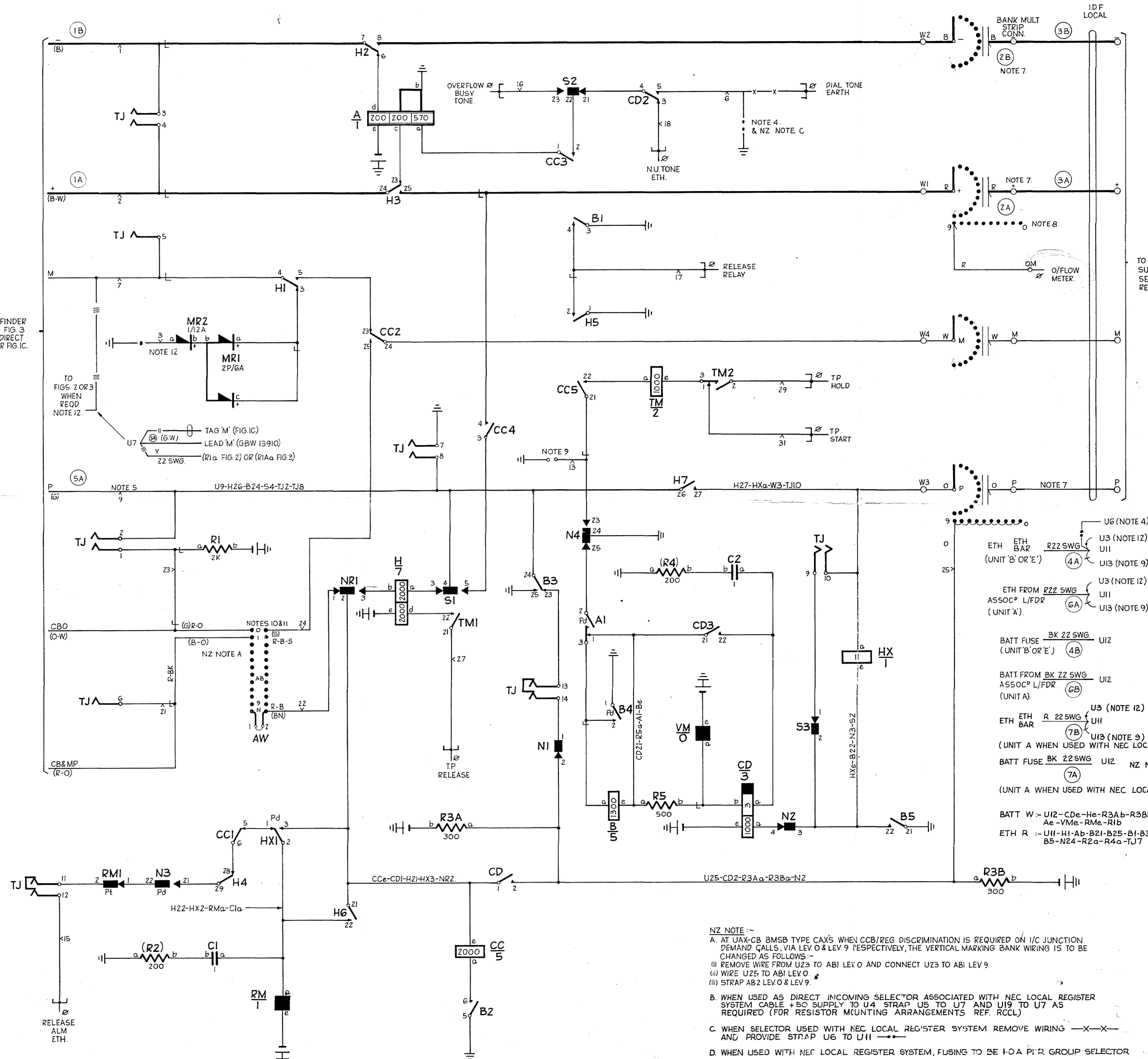
NOTES :-

- FUSE - 1.0A PER GROUP SELECTOR (UNIT 'B' OR 'E') 3.0A PER GROUP SELECTOR AND ASSOCIATED LINE FINDER (UNIT 'A').
- ALL WIRING TO BE 25 SWG UNLESS OTHERWISE SPECIFIED.
- Ø FOR WIRING SEE GBW 13730 OR EQUIV.
- (i) ON GRP SEL'RS ASSOC' WITH LINE FDRS DIAL TONE IS PROVIDED -X- (ii) ON GRP SEL'RS ASSOCIATED WITH I/C JUNCTIONS DISCONNECT DIAL TONE SHELF JACK WIRING FROM U6 SHOWN THIS -X- AND STRAP U6-11 -X-
- SHELF JACK 'J'-POINTS U9 & U11 TO MAKE CONTACT WHEN SELECTOR IS REMOVED.
- 'AUTO ROUTE BARRED' IS USED AT NON-METERING TERMINAL UAX TO BAR I/C JUNCTION ACCESS TO O/G JUNCTIONS OTHER THAN 'LEVEL 0' & AT ANY NON-METERING UAX TO BAR I/C JUNCTION ACCESS TO LEVEL 9 REVERTIVE RELAY SETS.
- FOR USE WITH FULL FACILITY JUNCTION RELAY SETS ON EARLY WORK P+ & - TAGS OF LEVEL 0 & LEVEL 1 WERE STRAPPED TOGETHER ON THE BANK MULTIPLE TERMINAL STRIP & A 'S' WIRE CIRCUIT TO THE IDF WAS PROVIDED.
- 11th STEP CONTACTS 0 TO B WIRED SIMILAR TO CONTACT 9.
- (a) WHEN THE SELECTOR IS USED AS A FIRST SELECTOR DIRECTLY CONNECTED TO A LINEFINDER OR USED AS A LOCAL SECOND SELECTOR STRAP U11-U13 IS PROVIDED THIS STRAP MUST BE PROVIDED INITIALLY FOR ALL 'A' UNITS. (b) WHEN THE SELECTOR IS USED FOR CONNECTION DIRECTLY TO AN I/C JUNCTION REMOVE STRAP U11-U13 -X-
- TYPICAL ALLOCATION OF AUX BANK CONTACTS.

- ON SOME EARLIER EQUIPT COLOURS SHOWN IN BRACKETS ARE USED.
- WHEN SELECTOR IS USED TO TERMINATE AN INCOMING JUNCTION (I.E. NO INCOMING JUNCTION RELAY SET IS PROVIDED) THE FOLLOWING CONDITIONS APPLY:- (a) WHEN TRUNK OFFERING IS REQUIRED PROVIDE FIG. 3 & WRG-III-4 & DELETE STRAP U3 U11 (b) WHEN CONTROL OF ROUTE RESTRICTION ONLY IS REQUIRED PROVIDE FIG. 2 & WRG-III-4 & DELETE STRAP U3-U11 IN ALL OTHER CASES NEITHER FIG. 2 NOR FIG. 3 ARE PROVIDED & U3 IS STRAPPED TO U11.

N	NR	S	TJ
4	1	3	14

	ON APPROPRIATE LEV
'NOTE 6'	STRAP A1 TO STRAP A2
UNIT FEE	U21 U24
AUTO ROUTE BARRED	U21 U22
SPEAK LEVEL	U23 U22



- NZ NOTE :-
- AT UAX-CB BMSB TYPE CAX'S WHEN CCB/REG DISCRIMINATION IS REQUIRED ON I/C JUNCTION DEMAND CALLS, VIA LEV. 0 & LEV. 9 RESPECTIVELY, THE VERTICAL MARKING BANK WIRING IS TO BE CHANGED AS FOLLOWS:- (i) REMOVE WIRE FROM U23 TO ABI LEV 0 AND CONNECT U23 TO ABI LEV 9 (ii) WIRE U25 TO ABI LEV 0 (iii) STRAP AB 2 LEV 0 & LEV 9.
 - WHEN USED AS DIRECT INCOMING SELECTOR ASSOCIATED WITH NEC LOCAL REGISTER SYSTEM CABLE + SO SUPPLY TO U4 STRAP U5 TO U7 AND U19 TO U7 AS REQUIRED (FOR RESISTOR MOUNTING ARRANGEMENTS REF. RCCL)
 - WHEN SELECTOR USED WITH NEC LOCAL REGISTER SYSTEM REMOVE WIRING -X-X- AND PROVIDE STRAP U6 TO U11 -X-X-
 - WHEN USED WITH NEC LOCAL REGISTER SYSTEM, FUSING TO BE 1.0A P+R GROUP SELECTOR

UAX NZ N°13		GROUP SELECTOR		2000 TYPE	
NOTE 12 AMD	(55864)	7D	12.4.76	CJW	
NZ NOTES B, C & D ADDED	(55575)	7C	18.12.75	CJW	
NOTES 4, 9 & 12 AMENDED	(99978)	7B	3.8.73	B.S.H	
NZ NOTE A ADDED	(28083)	7A	16.12.70	B.S.H	
NOTES 9 & 12 REVISED	(20812)	7	2.12.69	R.W.	
AMENDMENT PARTICULARS	ISS	DATE	APP'D	SIZE	A1 50V W
NZPO	DRAWN	CHECKED	WIRING	CIRCUIT	GBW 15960
	DBC	B	B	B	