

FIG. 1
A.E.R. SECTION RELAYS - POWER.
PER EXCHANGE

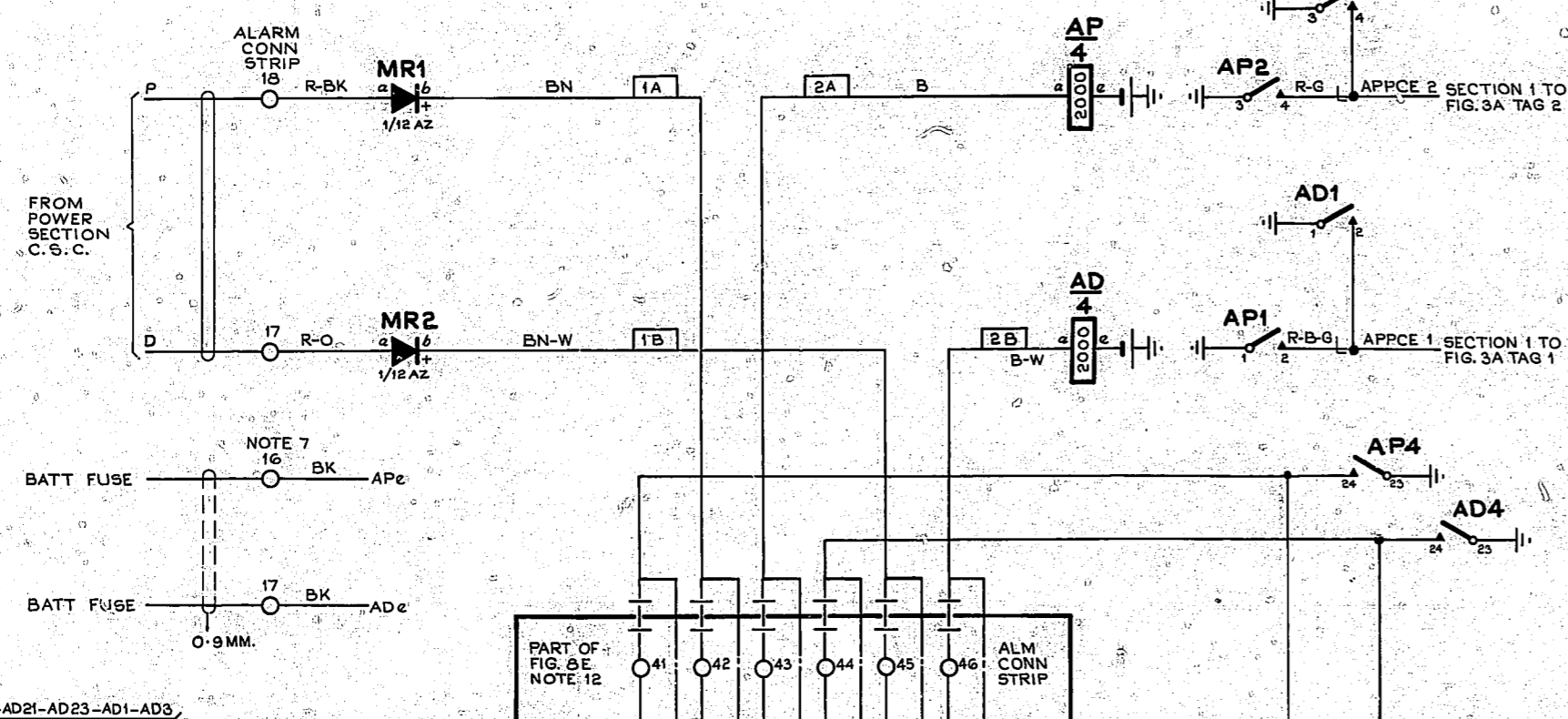


FIG. 2A
A.E.R. SECTION RELAYS - AUTO.
PER EXCHANGE

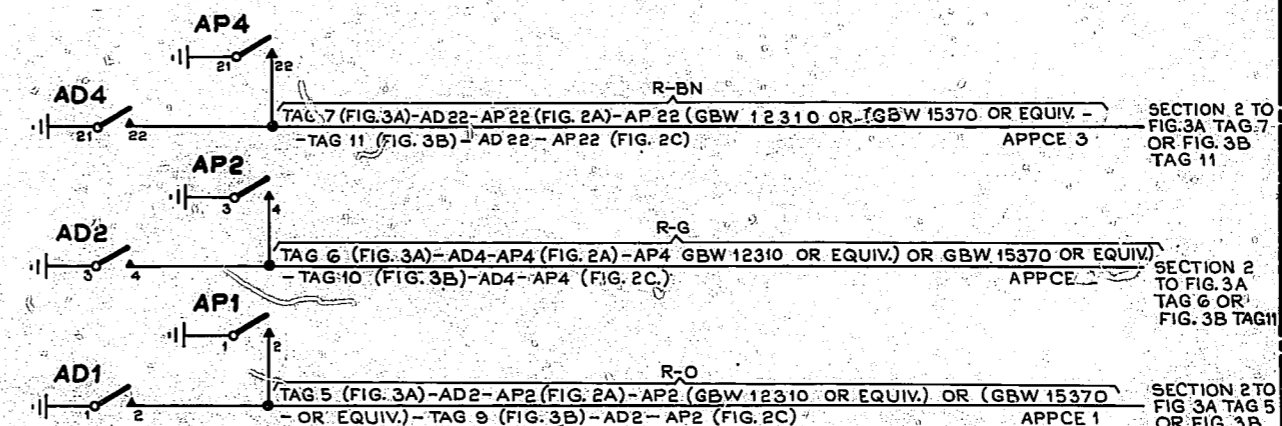


FIG. 2C
A.E.R. SECTION RELAYS CARRIER.
PER EXCHANGE

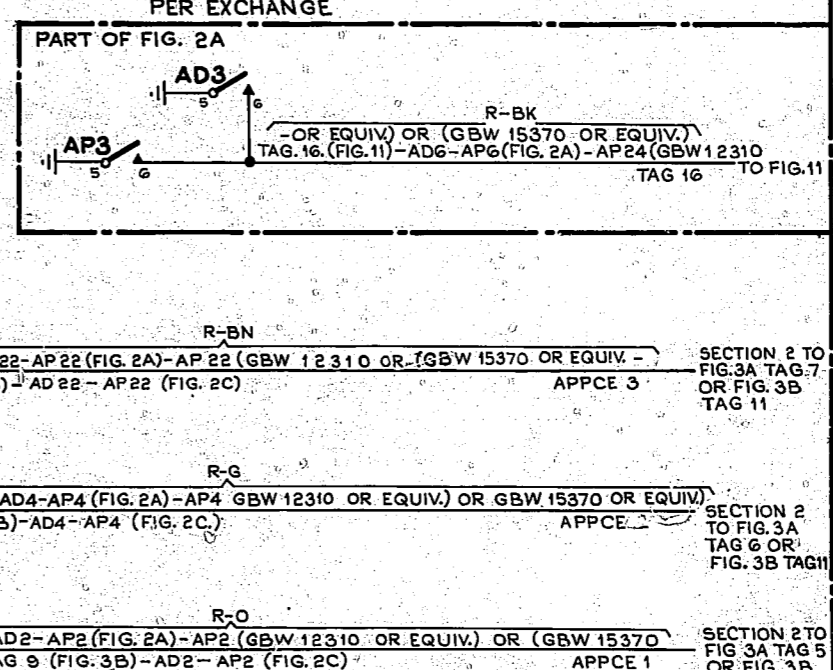


FIG. 3A
SECTION LAMPS AUTO & POWER

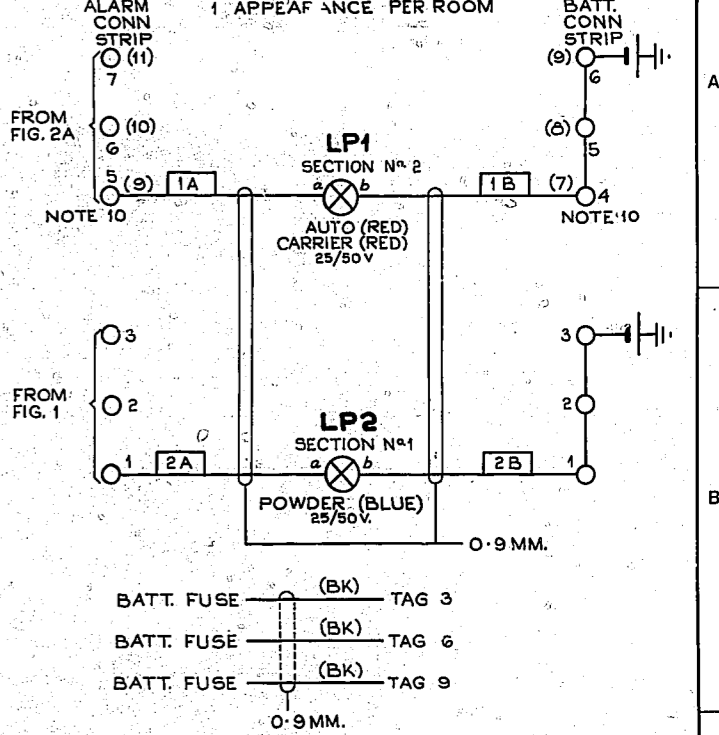
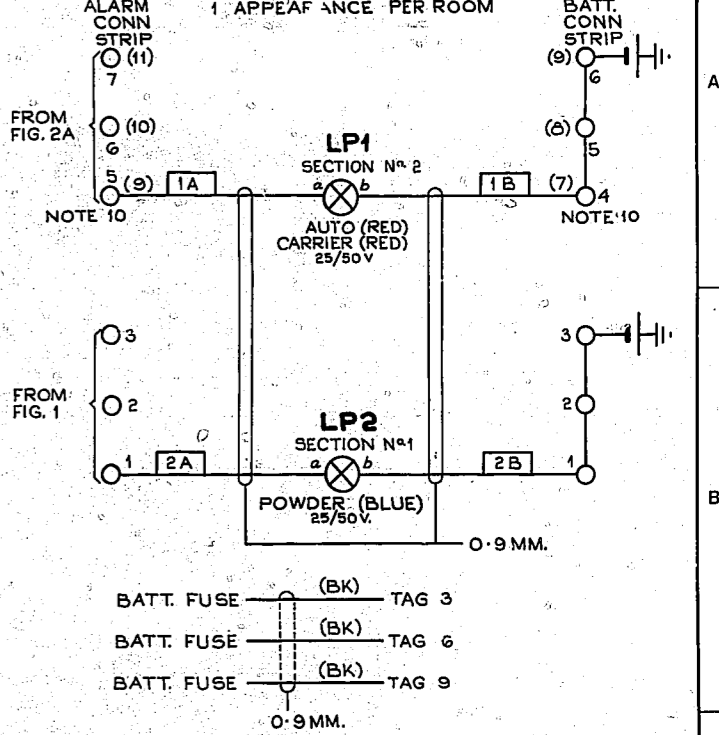


FIG. 3B
SECTION LAMPS CARRIER



- NOTES:**
- FUSE: 1-5A PER AP RELAY (FIG. 1)
1-5A PER AD RELAY (FIG. 1)
1-5A PER AP & P RELAYS (FIGS. 2A & 2C)
1-5A PER AD & D RELAYS (FIGS. 2A & 2C)
1-5A PER AP RELAY (FIG. 2A CARRIER)
1-5A PER AD RELAY (FIG. 2A CARRIER)
3-0A PER SECTION (FIG. 3A)
3-0A PER SECTION (FIG. 3B)
1-5A PER FIG. 4
1-5A PER FIG. 5A
0-5A PER R1 (FIG. 9)
1-5A PER OR RELAY (FIG. 7)
1-5A PER LP1 & LP2 (FIG. 1)
1-5A PER R1 (FIG. 6C) FUSED ON NEAREST FUSE PANEL.
 - BUZZER (BZ1) & LAMP (LP1) MOUNTED WHERE REQUIRED.
 - WHEN FIGS. 2B & 6B ARE PROVIDED ADD CONNECTIONS SHOWN THUS — — OTHERWISE ADD CONNECTIONS SHOWN THUS — —
 - ALL WIRING BEARING A COLOUR CODE TO BE 0.7mm UNLESS OTHERWISE SPECIFIED. PLATE WIRING TO BE 0.5mm.
 - FOR LARGE POWER INSTALLATIONS (GBW 14740, GBW13091 OR EQUIV.) IF ENGINE ALTERNATOR IS NOT AUTOMATICALLY STARTED 25V CELL CUT-IN ALARM (ALERT No. 1) IS PROVIDED. IN ALL OTHER CASES ENGINE ALTERNATOR RUNNING ALARM (ALERT No. 1) IS PROVIDED.
 - ALARM EXTENSION & ALARM CUT-OFF KEYS TO BE MECHANICALLY COUPLED CONTACT KAE 6 IS SHOWN ON DIAGRAM GBW 12310 FIG. 10A OR GBW 15370 OR EQUIV. ONE KEY PROVIDED FOR FIGS. 5B & 5C.
 - THESE TERMINALS ON BATT CONN. STRIP PROVIDED ONLY WHEN FUSES ARE ON AUXILIARY GROUP FUSE PANEL.
 - WHEN 3 AUTO SUB SECTIONS AND/OR CARRIER SECTION ARE REQUIRED, PROVIDE FIG. 5B OR 5C THIS KEYS, KCO & KAE.
 - Ø FOR WIRING SEE ASSOCIATED COMMON SERVICES DIAGRAM.
 - ALARM CONN STRIP & BATT CONN STRIP NUMBERS IN BRACKETS REFER TO CARRIER SECTION.
 - CONN. STRIP NUMBERS IN () BRACKETS REFER TO THOSE PROVIDED ON TEST RACK CONN. STRIP NUMBERS IN [] BRACKETS REFER TO THOSE PROVIDED ON TEST DESK.
 - WHEN ALARM EXTENSION KEYS & LAMP ARE MOUNTED ON TEST DESK OR RACK PROVIDE FIGS. 5D & 5E AND USE WIRING SHOWN THUS — —
 - WHEN ALARM EXTENSION KEYS & LAMP ARE MOUNTED ON A.E.R. FIGS. 5D & 5E ARE NOT PROVIDED. USE WIRING SHOWN THUS — —
 - DELETED.
 - PRIOR TO ISSUE 6-V 50V BATT. COLOUR WAS BK OR W METRIC WIRE SIZES WERE NOT SHOWN.

FIG. 5A
ALARM CUT-OFF KEY AER.
TEST RACK OR TEST DESK
PER EXCHANGE



FIG. 9
POWER FAIL RELAX AER.
PER EXCHANGE

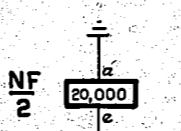


FIG. 5B
ALARM CUT-OFF KEY AER.
OR TEST RACK
NOTE 6 & 8

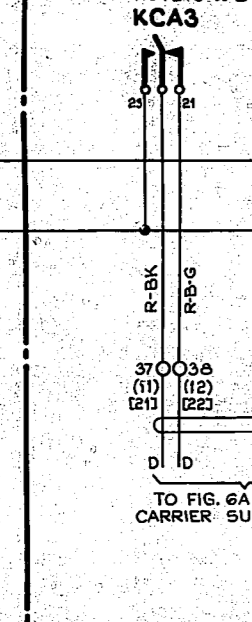


FIG. 5C
ALARM CUT-OFF KEY AER.
OR TEST RACK
NOTE 6 & 8

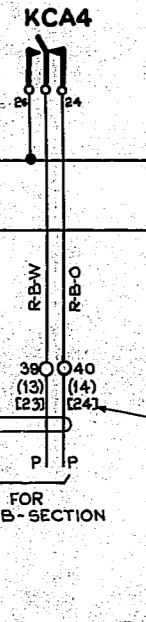


FIG. 5D
R.B.S. TEST RACK
(R.B.S. TAGS: KCO5-KCO6-KCO2-KCO3)

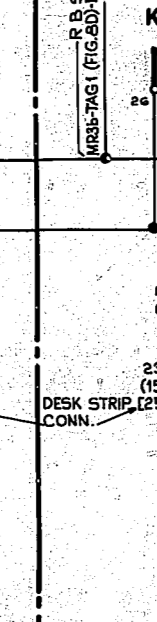


FIG. 5E
R.B.W. TEST RACK
(R.B.W. TAGS: KCO1-KCO4)

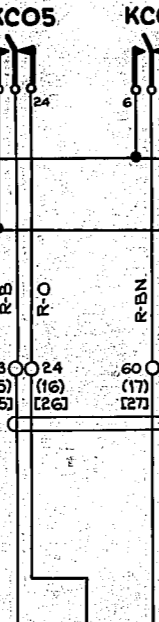


FIG. 6C
DEFERRED ALARM CUT-OFF KEY

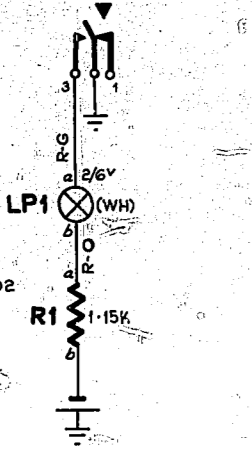


FIG. 6A
ALARM CLASSIFICATION STRIP CONN.
PER SECTION OR SUB-SECTION



FIG. 6B
SUB-SECTION LAMPS
PER SUB-SECTION

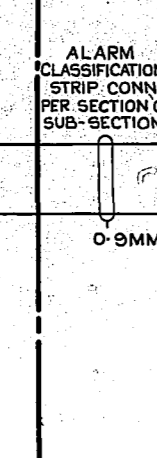


FIG. 2B
A.E.R. SECTION RELAYS AUTO.
NOT PROVIDED ON SECTIONS WITHOUT SUB-SECTION LAMPS PER EXCHANGE.

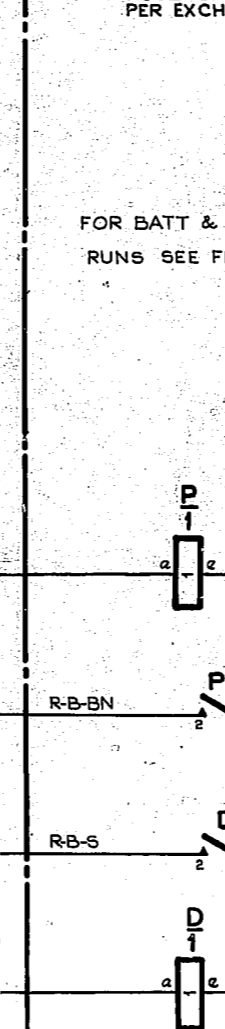


FIG. 4
ALARM BELL.
1, 2 OR 3 APPEARANCES PER EXCHANGE

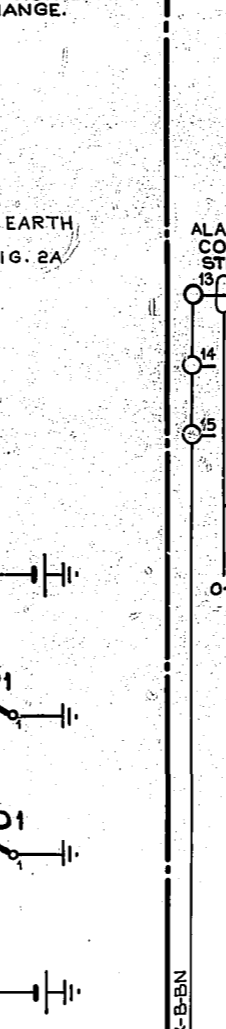
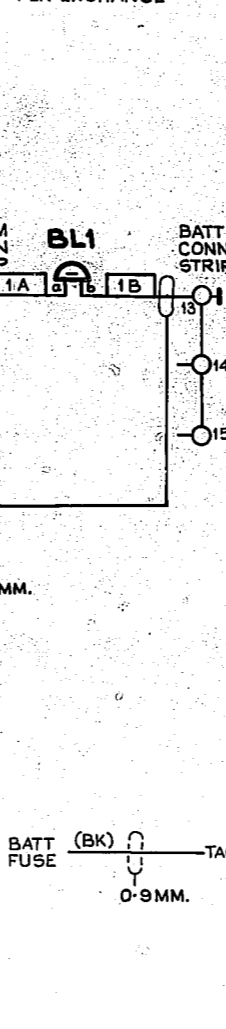


FIG. 7
UNISELECTOR OVERFLOW & ALARM CIRCUIT.
PER EXCHANGE.
NOTE 2
(NOT PROVIDED FOR NEW WORK)



AUDIBLE & VISIBLE ALARM SCHEME WITH ALARM EXTENSION VIA LATE CHOICE DEMAND TRUNKS
A.M.X.

155	DATE	DEL	DC	ORDER	CWO	APD	CHANGE
				SOV. H			
DRN T-EQPT CKD				ORIGIN T-EQPT			
TCD E.U. APPD				STANDARD ATW 22001			
NZPO ENGINEER-IN-CHIEF, WELLINGTON.							
2				GBW15800			

UD 237

PROOF

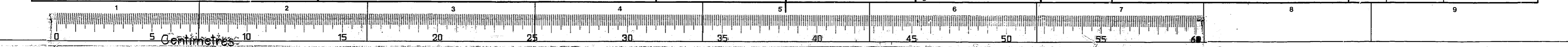


FIG. 8A
ALARM EXTENSION A.E.R.

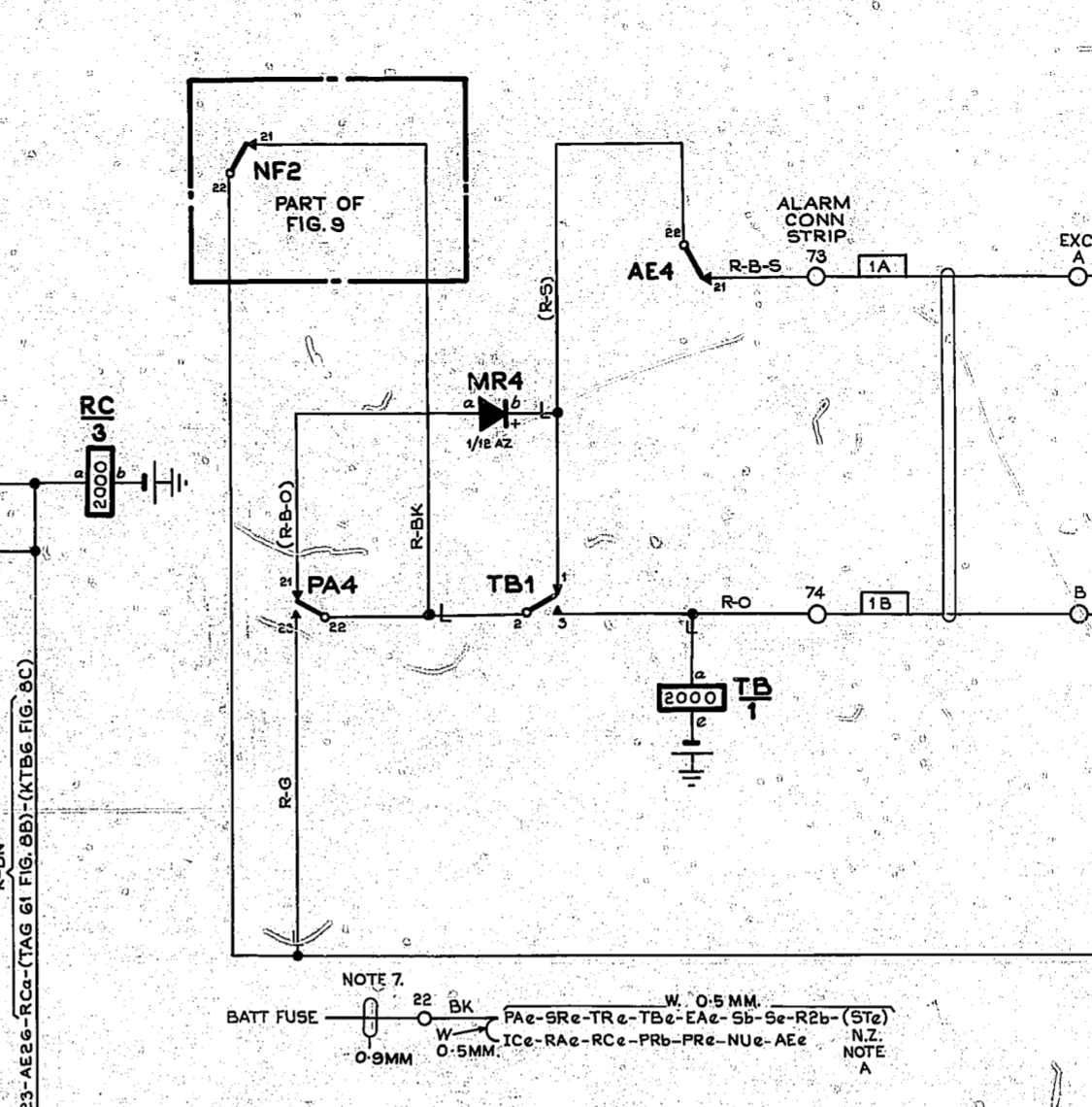
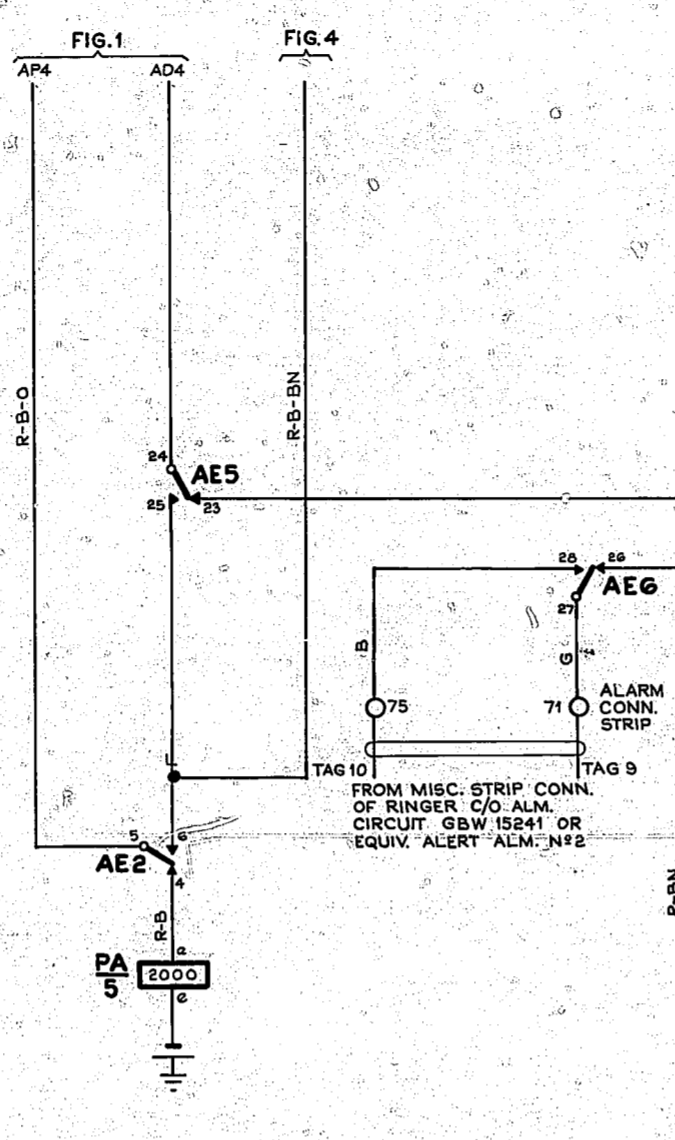
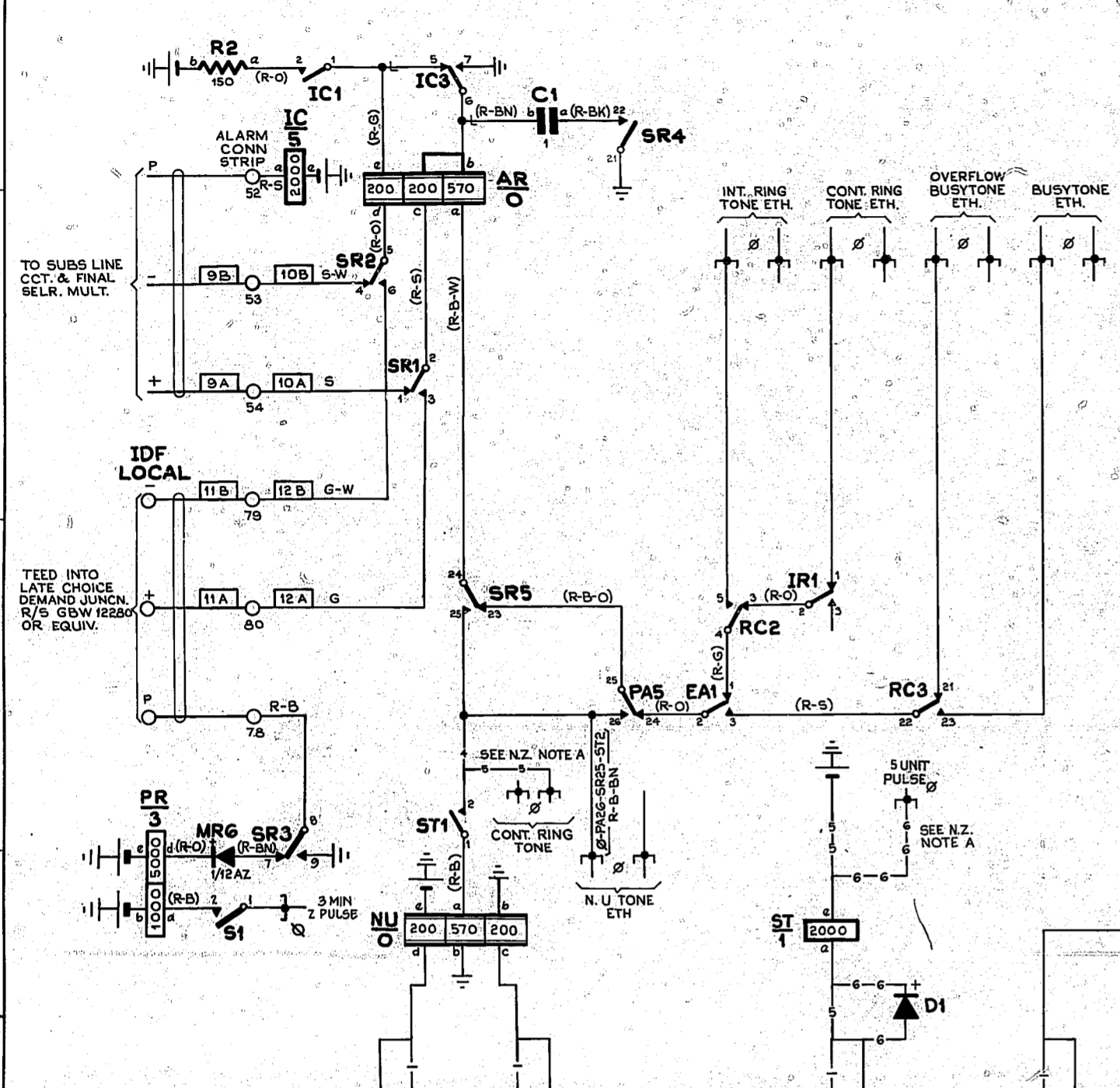


FIG. 10

TECHNICIANS RESIDENCE ALARM (PROMPT).

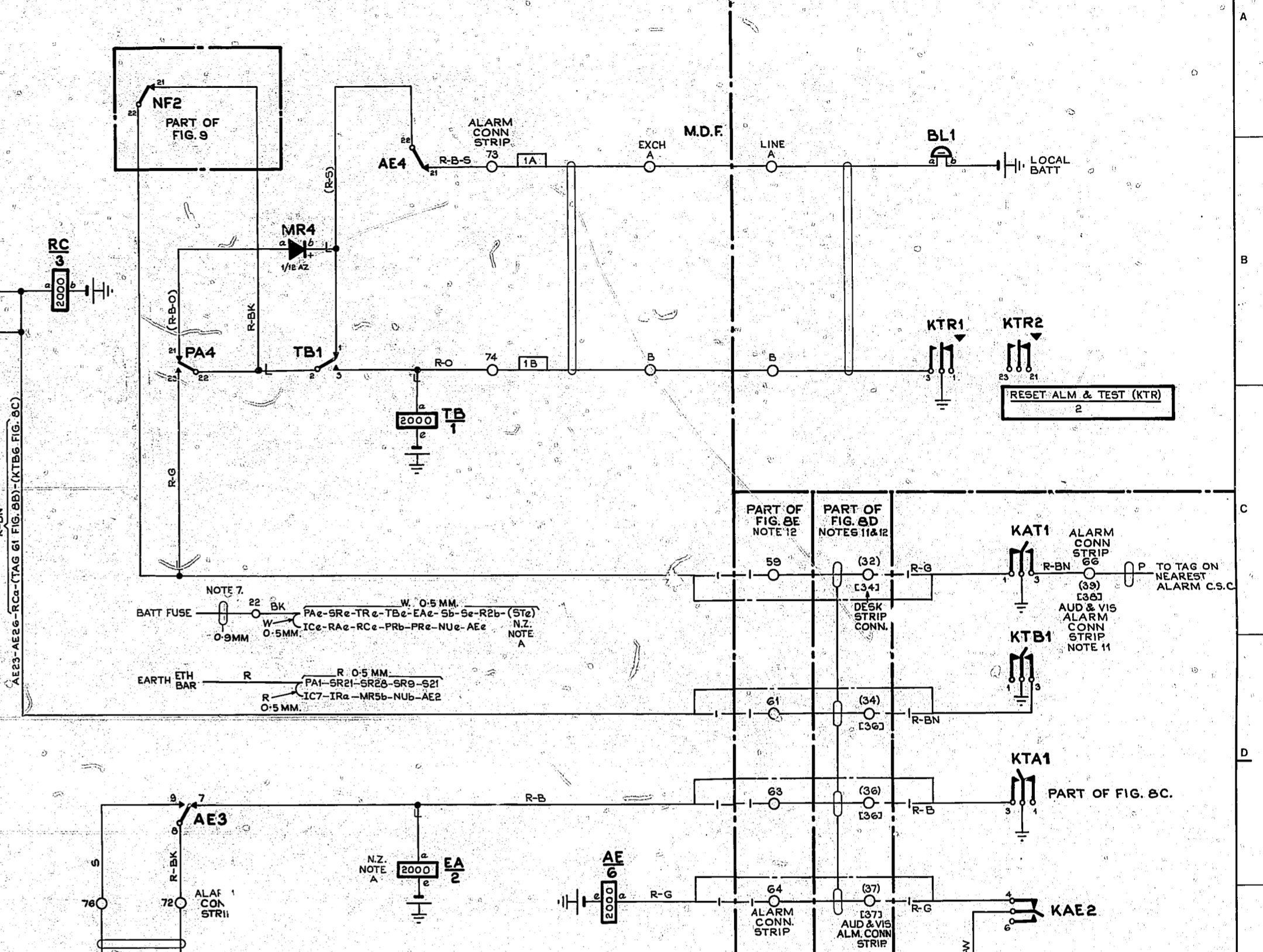


FIG. 8E

A.E.R. NOTE 12

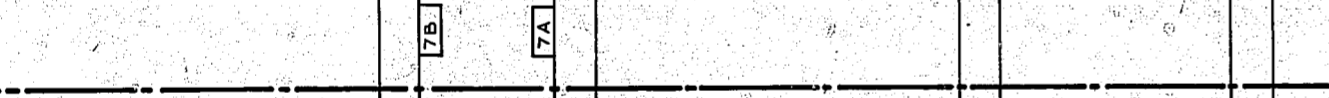


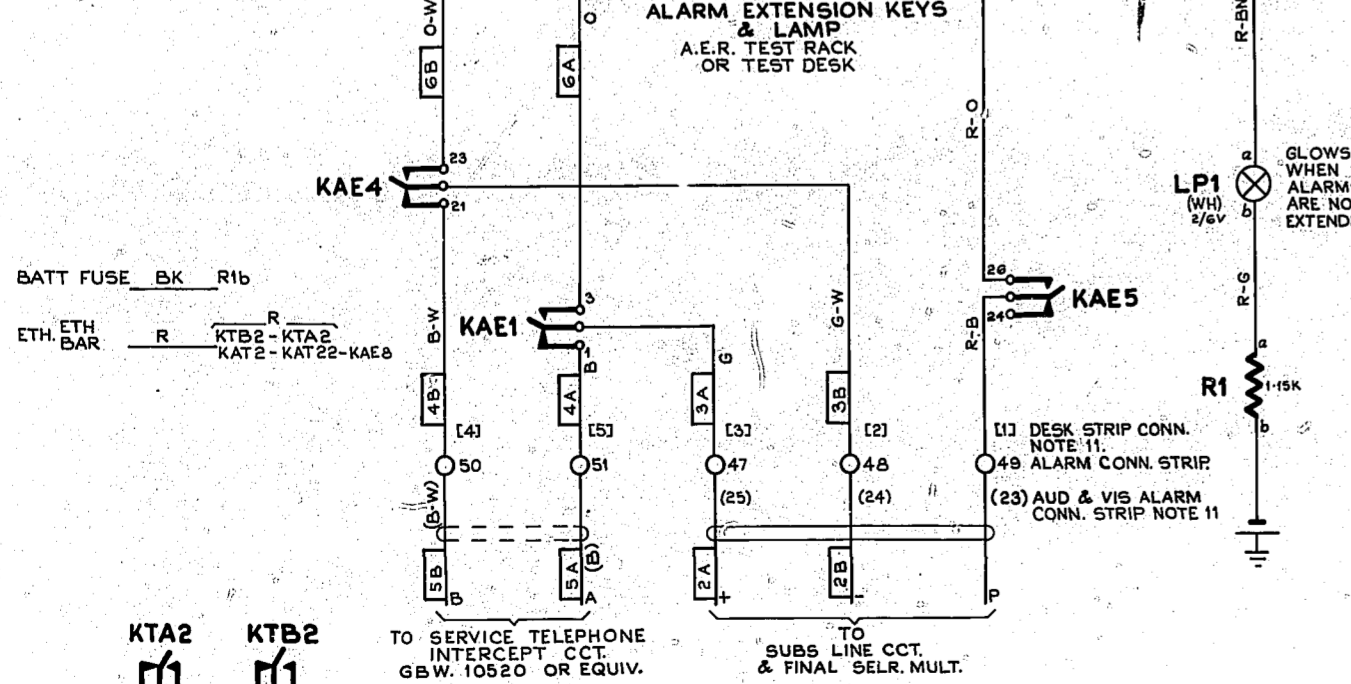
FIG. 8D

TEST RACK NOTE 12 OR DESK NOTE 11



FIG. 8C

ALARM EXTENSION KEYS & LAMP
A.E.R. TEST RACK OR TEST DESK



KTA2	KTB2	TO SERVICE TELEPHONE INTERCEPT C.C.T. GBW. 10520 OR EQUIV.	TO SUBS LINE C.C.T. & FINAL SELR. MULT.
TEST ALERT N°1 (KTA)	TEST ALERT N°2 (KTB)	ALM. EXT. (KAE)	ALM. EXT. TEST (KAT)

FIG. 11

FLOOR LAMPS (WHEN POWER IS ON SEPARATE FLOOR)

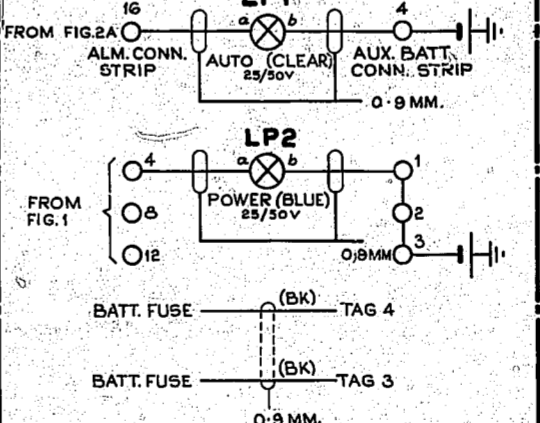
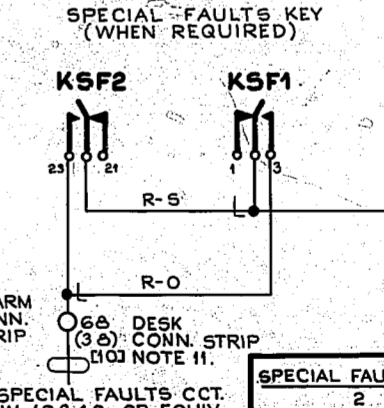


FIG. 8B

A.E.R. TEST RACK OR DESK. SPECIAL FAULTS KEY (WHEN REQUIRED)



PROOF

50V. H			
ISS DATE DEL DC ORDER CKD APD			
DRN T-EQPT CKD		ORIGIN T-EQPT	
TCD E.U.	APPD	STANDARD ATW22001	
NZ PO ENGINEER-IN-CHIEF, WELLINGTON			
SHT 2 OF 2			
SIZE A1			GBW15800

AUDIBLE & VISIBLE ALARM SCHEME WITH ALARM DEMANSION VIA LATE CHOICE DEMAND TRUNKS
A.M.X.

UD 237

