

FIG. 1 - 'A' UNITS CABLING.

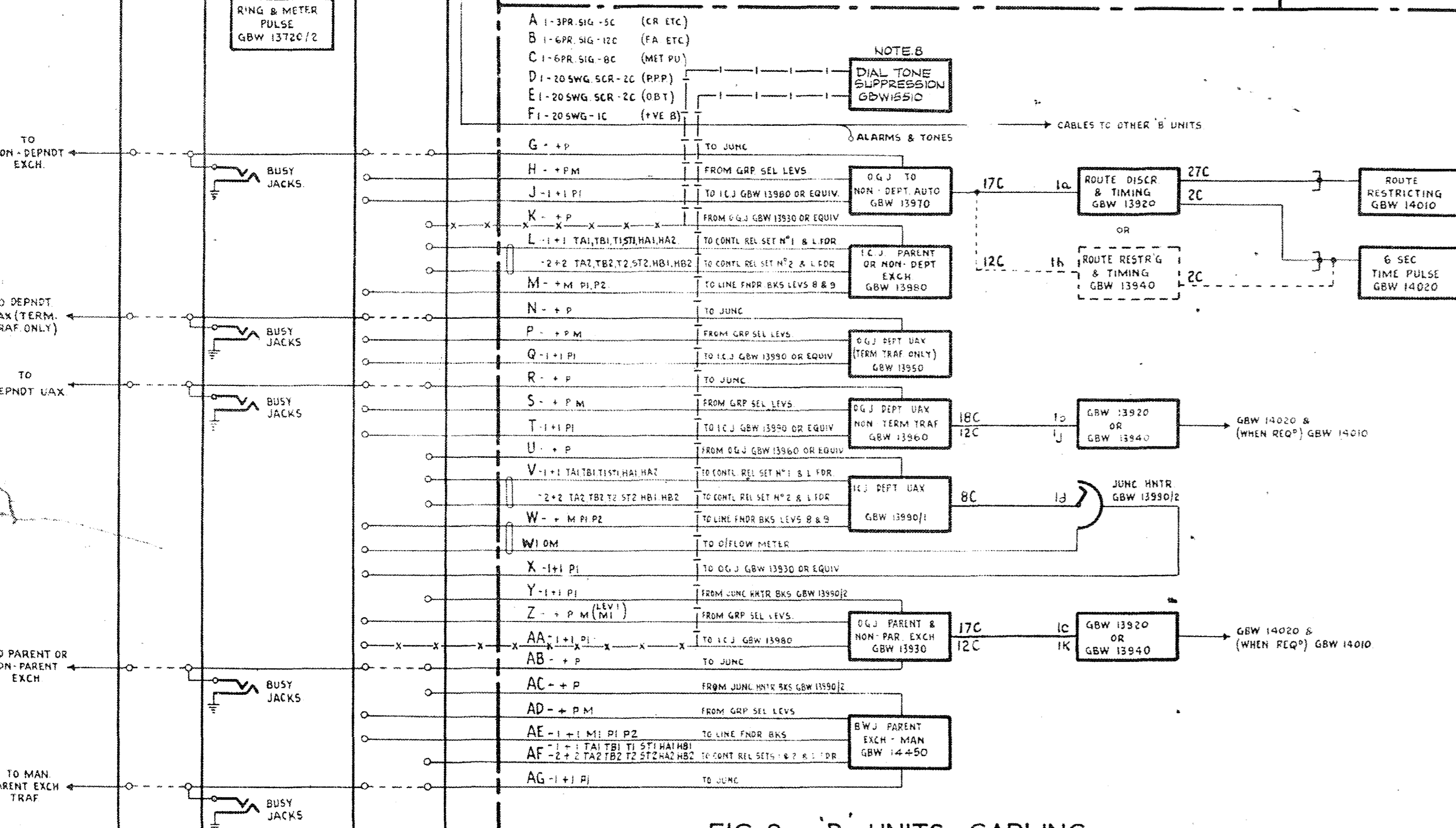


FIG. 2 - 'B' UNITS CABLING. NOTE 4

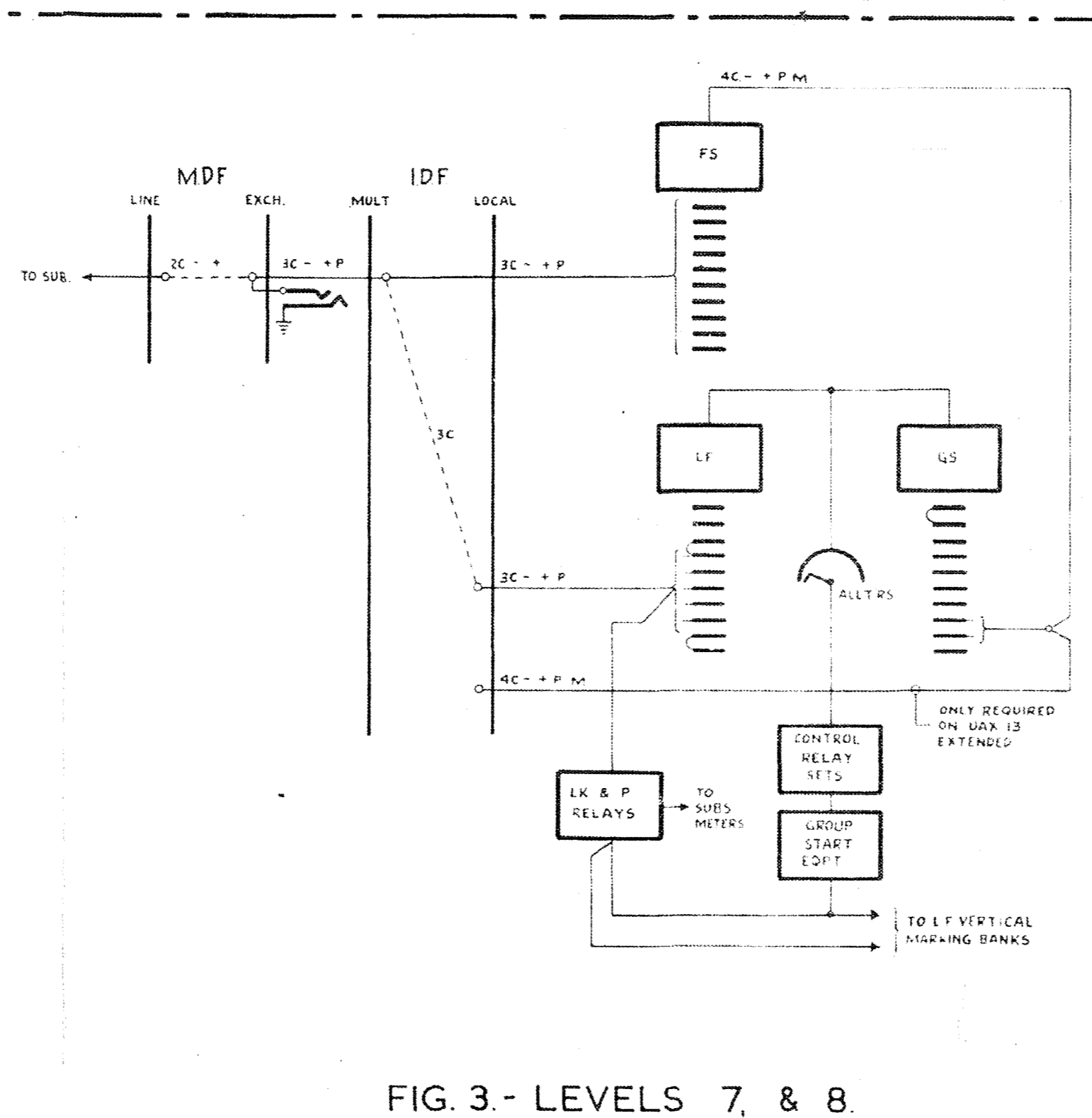


FIG. 3 - LEVELS 7, & 8.

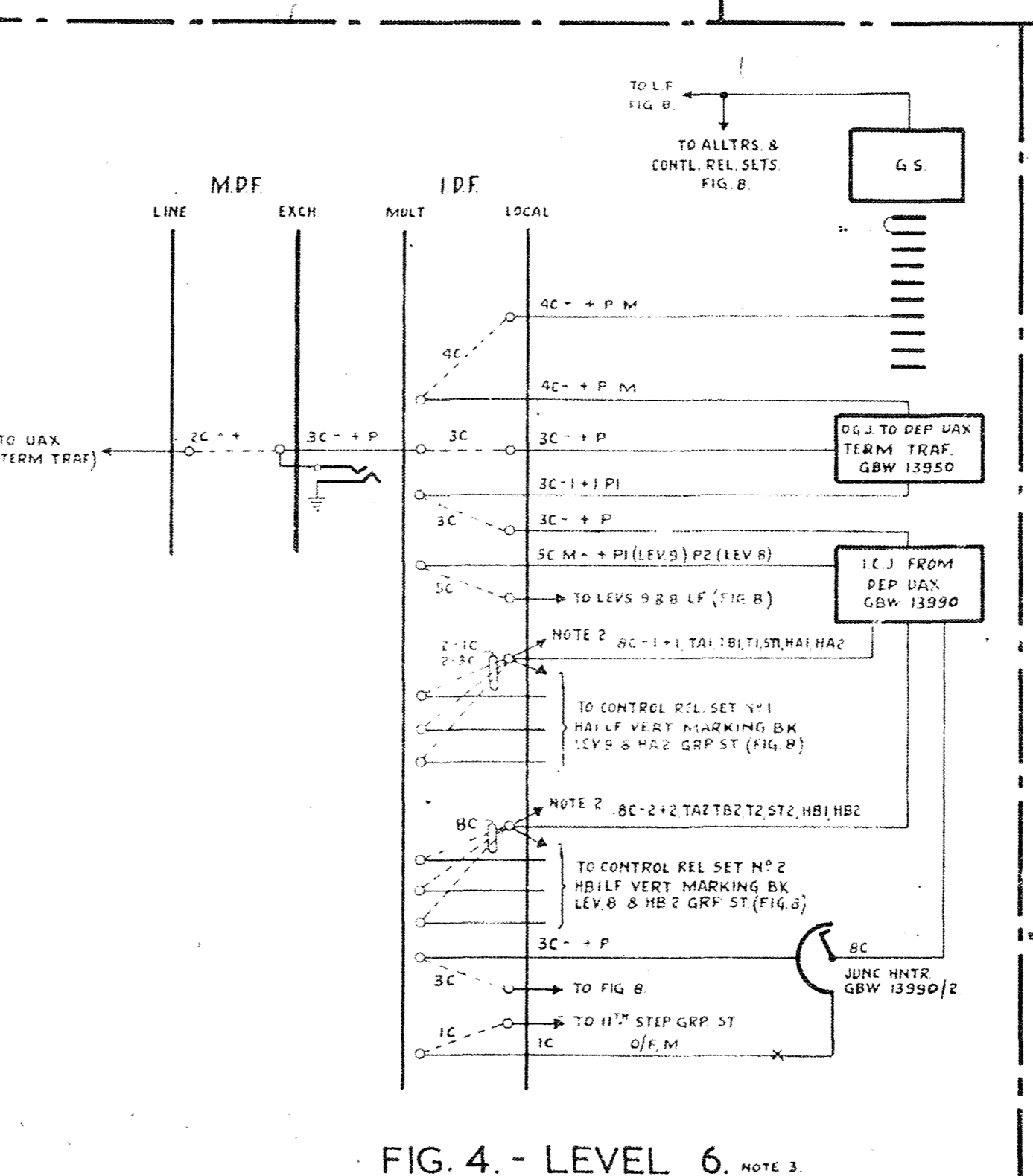


FIG. 4 - LEVEL 6. NOTE 3.

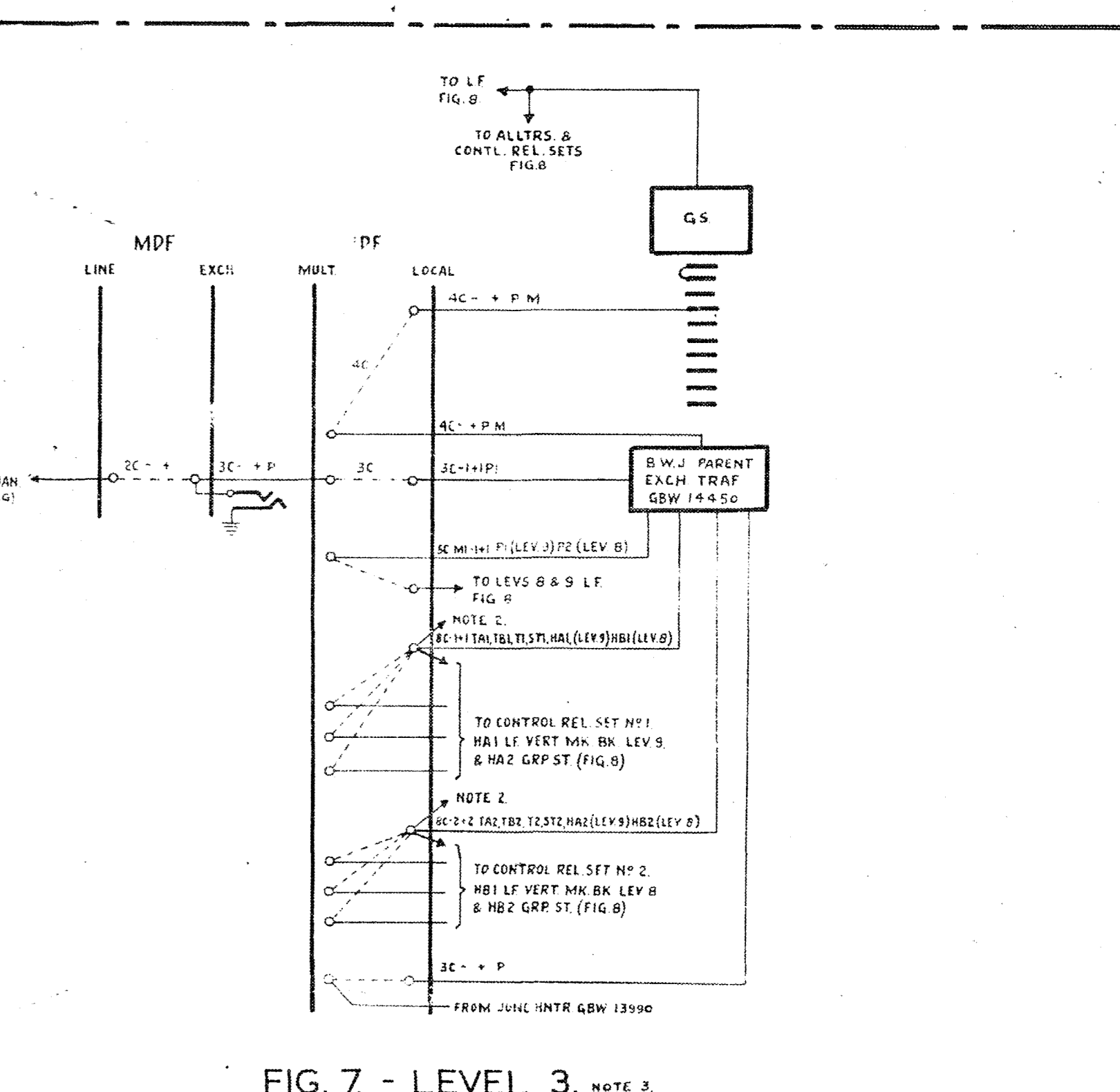


FIG. 7 - LEVEL 3. NOTE 3.

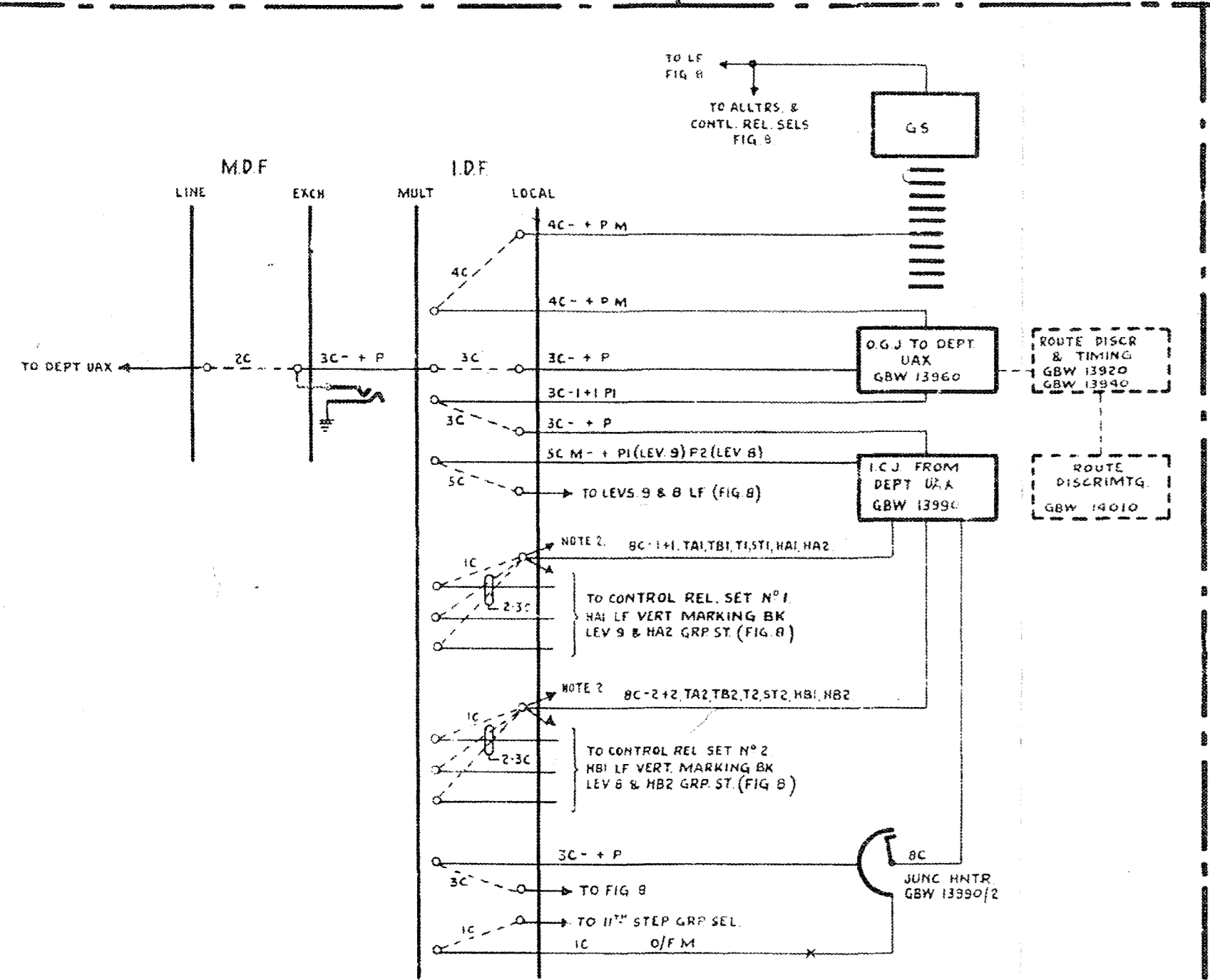


FIG. 5 - LEVEL 5. NOTE 3.

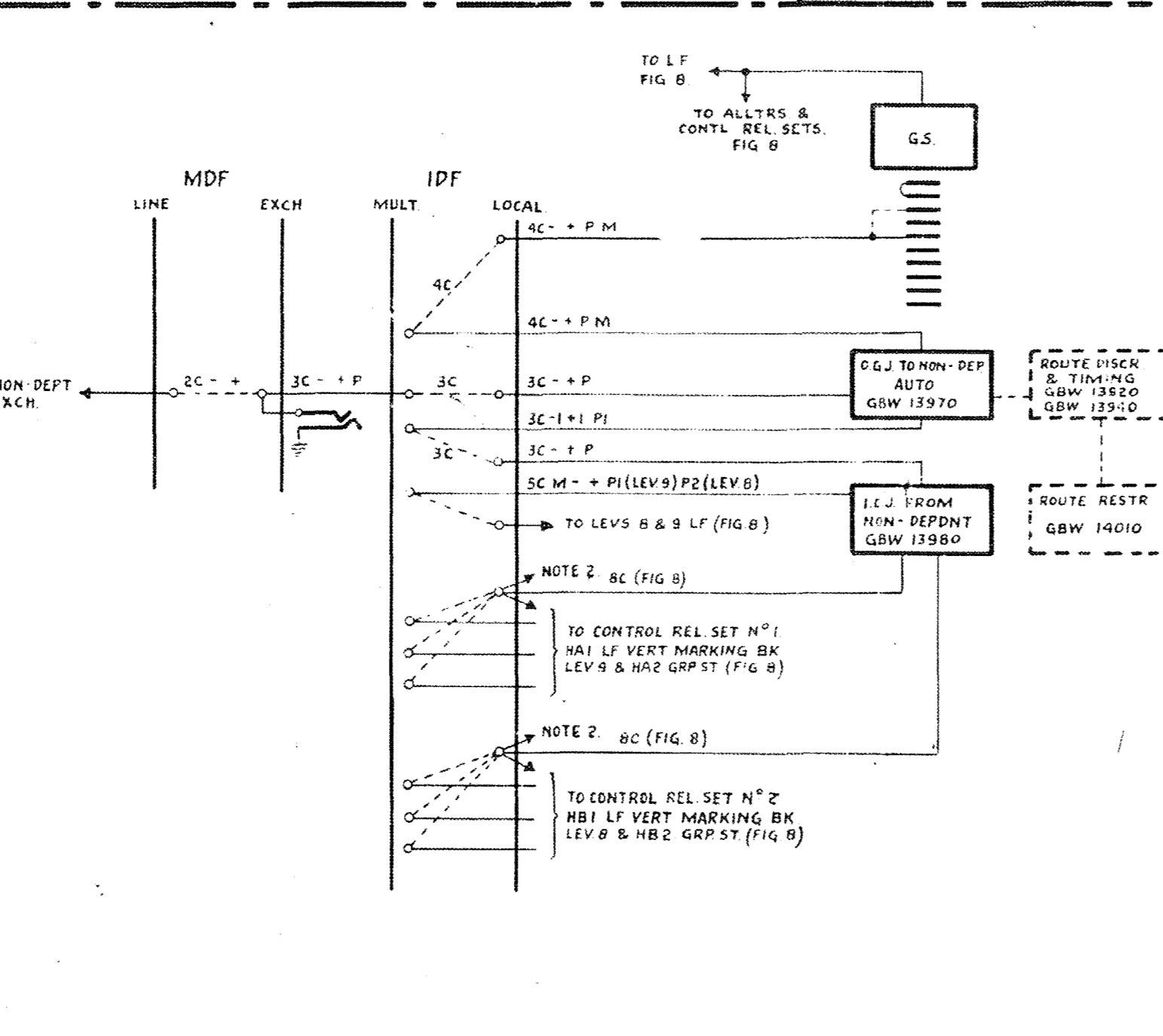


FIG. 6 - LEVELS 2, & 4. NOTE 3.

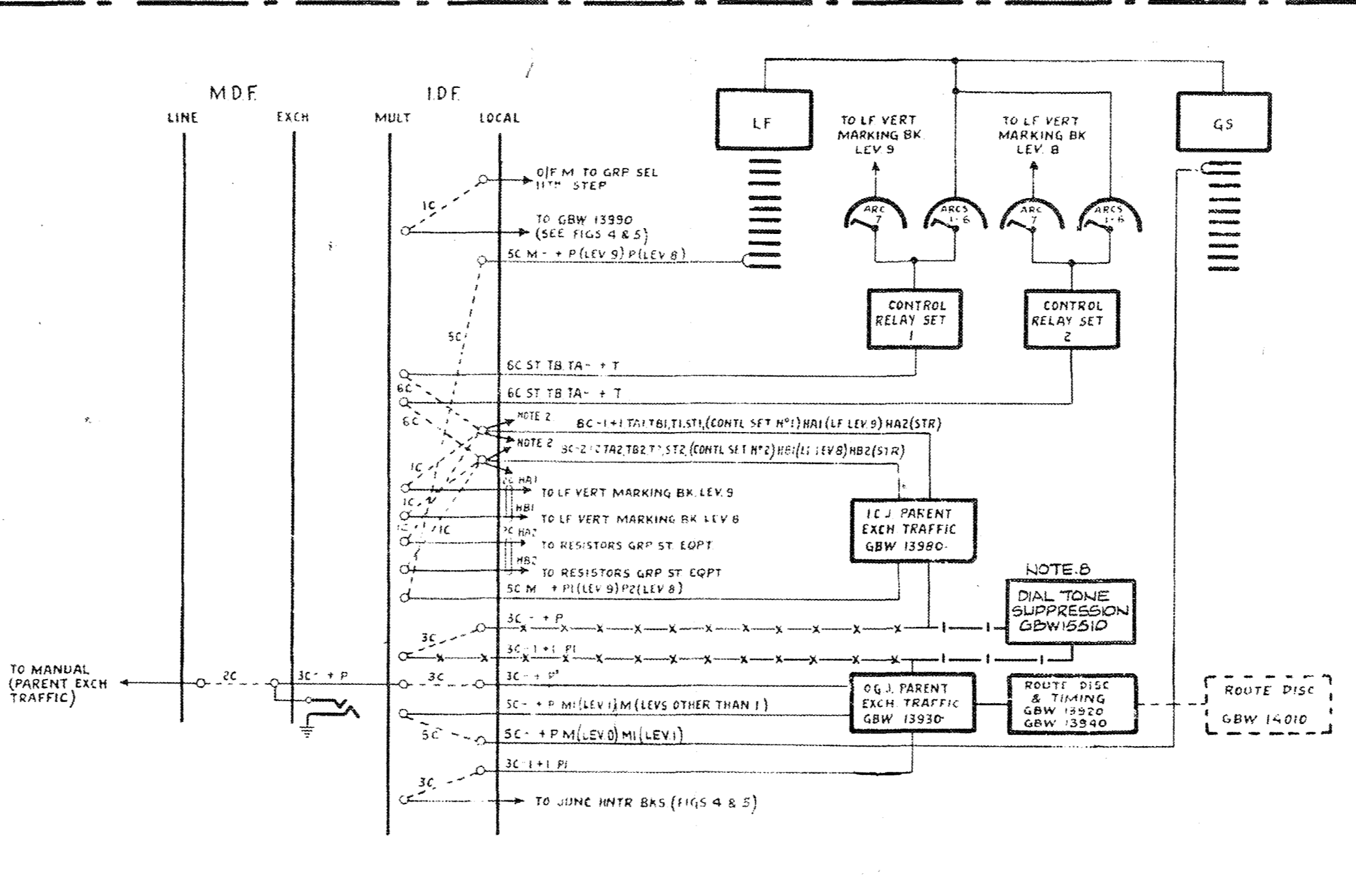


FIG. 8 - LEVELS 0, & 1.

- NOTES:-
- GROUP SEL LEVEL CABLES TO BE CABLED TO THE IDF, ONLY AS & WHEN REQUIRED
 - COMMONED TO OTHER STRIP-MOUNTED SETS AS REQUIRED
 - GROUP SEL LEVEL ALLOCATIONS ARE TYPICAL ONLY
 - FOR CABLING & JUMPING OF UAX N13 R & M UNITS & 5 PARTY LINE SM RELAY SETS SEE SHEET 2
 - LEVELS 8, 7, 6 & 5 ONLY CABLED TO IDF ON UAX 13 EXTENDED OR WHEN USED FOR JUNCTIONS
 - THE REVERTIVE CALL RELAY SET (GBW 13920) IF USED ONLY FOR 2 PARTY SHARED SERVICE DOES NOT REQUIRE CODE RINGS GBW 13920
 - GBW 13510 IS REQUIRED ONLY WHERE THE JUNCTION BEZVED BY THE ASSOCIATED GBW 13920 OR EQUIV. IS A DC JUNCTION OVER WHICH DIALING CAN BE RECEIVED FROM V.F. CIRCUITS.
 - FOR I.V.F. TRUNKING OF UAX-N13 IS AMX OR UAX-N13 IS TO DEPENDANT, SEE GBW 13520.
 - NO CONNECTION IS REQUIRED FROM AN IC JUNCTION CIRCUIT ON UNIDIRECTIONAL OIG JUNCTIONS.
 - NO CONNECTION IS REQUIRED FROM JUNCTION PLANTER BANKS TO OIG JUNCTION AT DEPENDENT UAX.

TYPICAL CABLING, JUMPING & TRUNKING ARRANGEMENTS UAX-N13			
ISSUE ADVANCED NO AMENDMENTS (4003)	2	2/1/61	GBW/5780
AMENDMENT PARTICULARS	ISSUE DATE	APP'D	507 H
NZPO	DRAWN	CHECKED	WIRING
	J.B.	J.B.	3/1
			GBW/5780
			SHEET 1-3

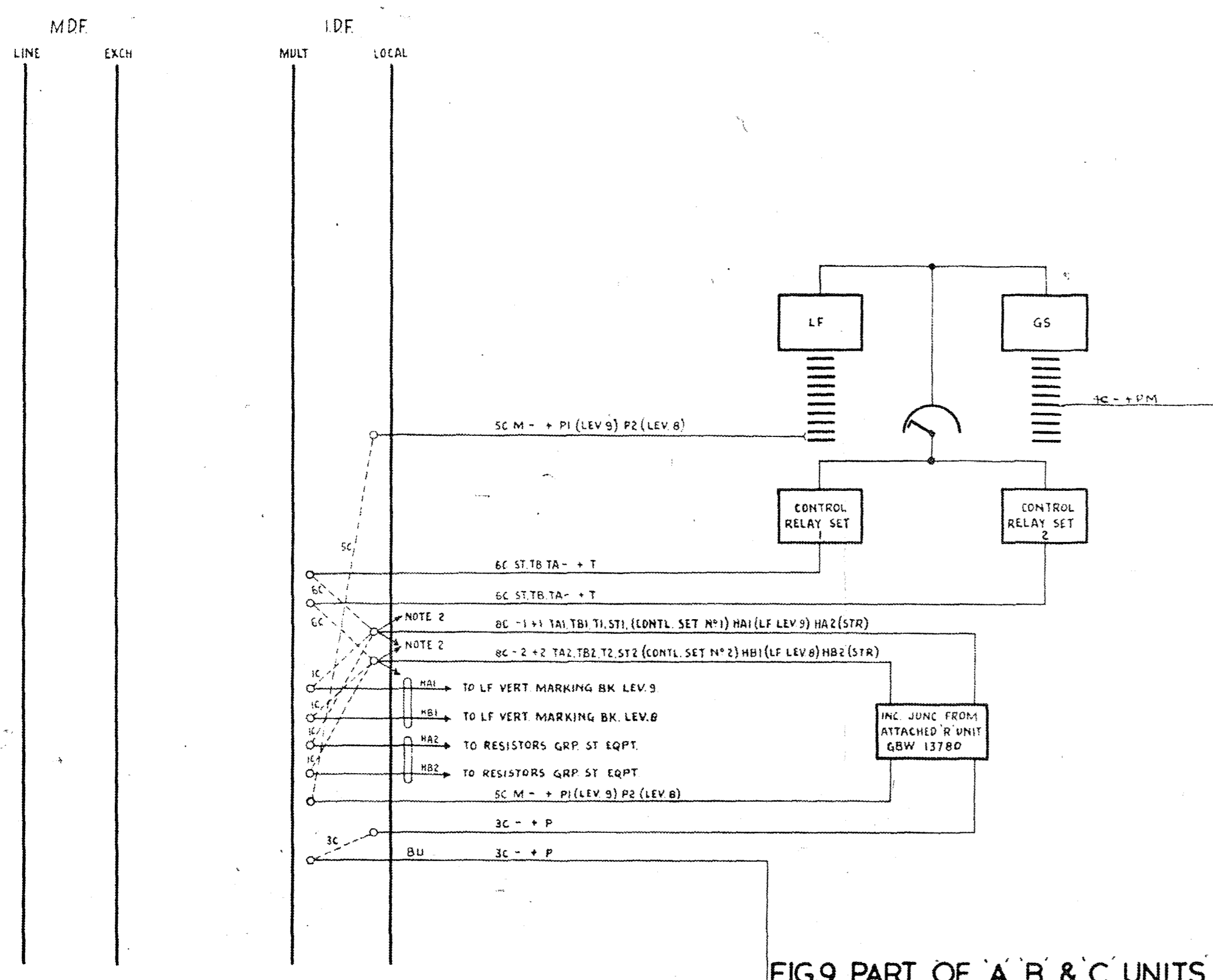


FIG.9 PART OF 'A', 'B' & 'C' UNITS

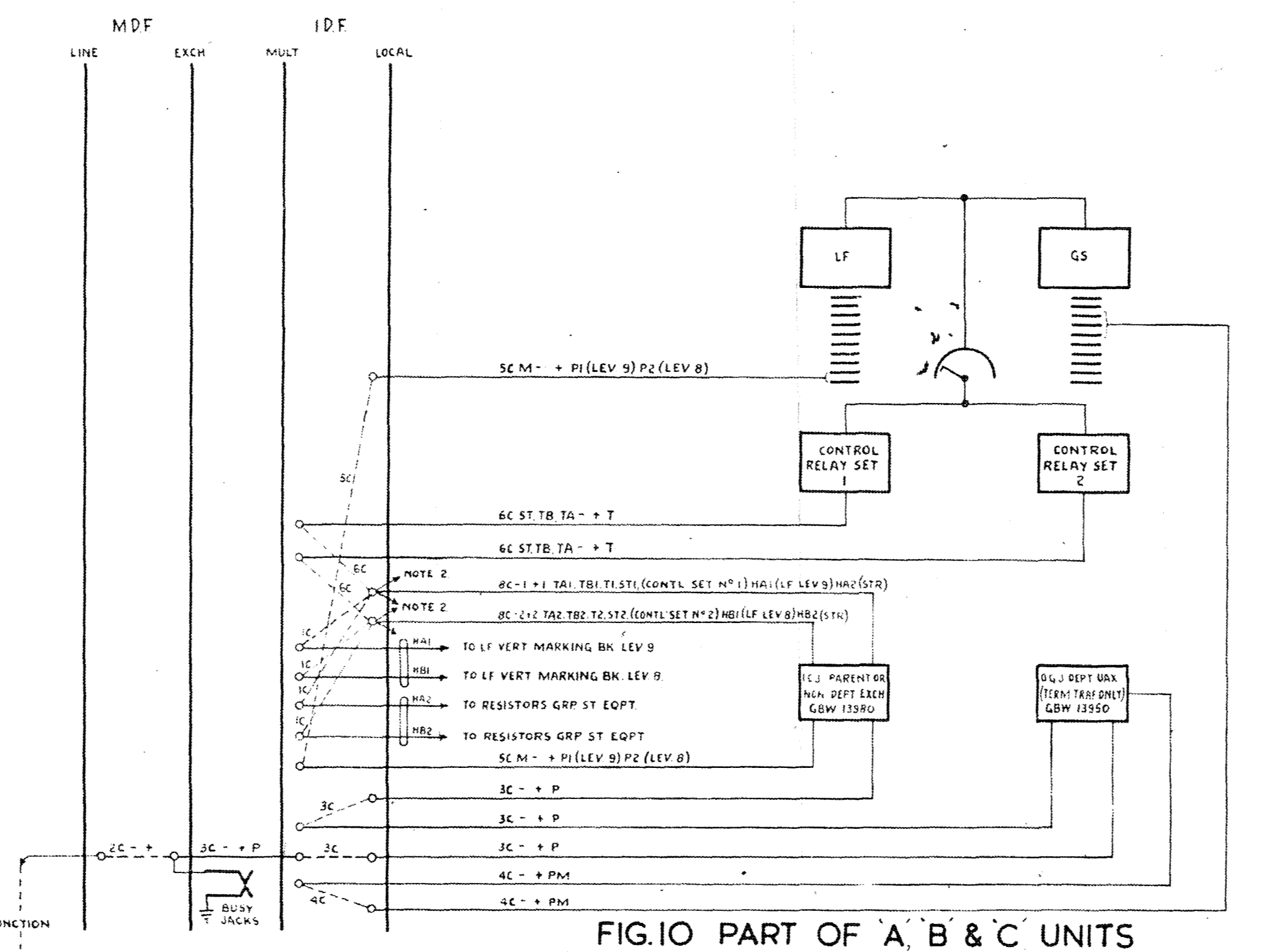


FIG.10 PART OF 'A', 'B' & 'C' UNITS

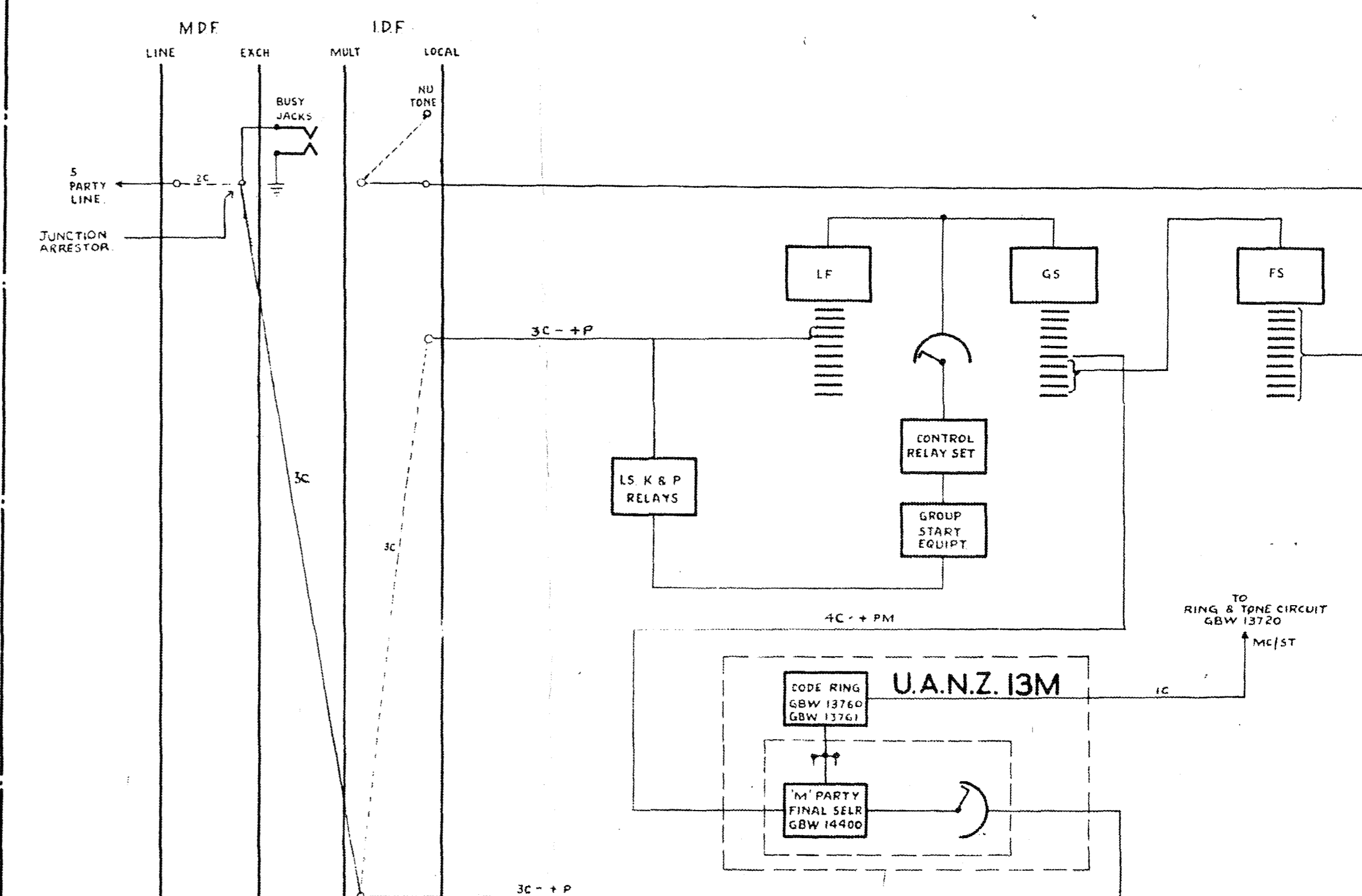


FIG.11 'M' UNIT (AND PART OF 'A', 'B' & 'C' UNITS)

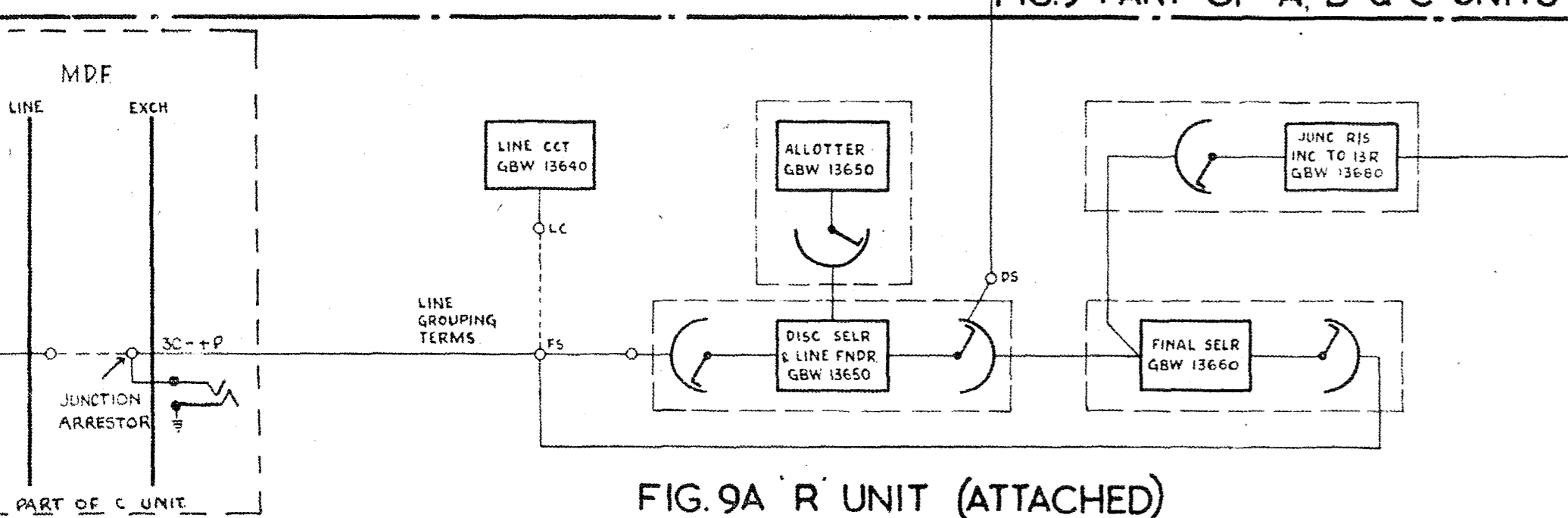


FIG.9A 'R' UNIT (ATTACHED)

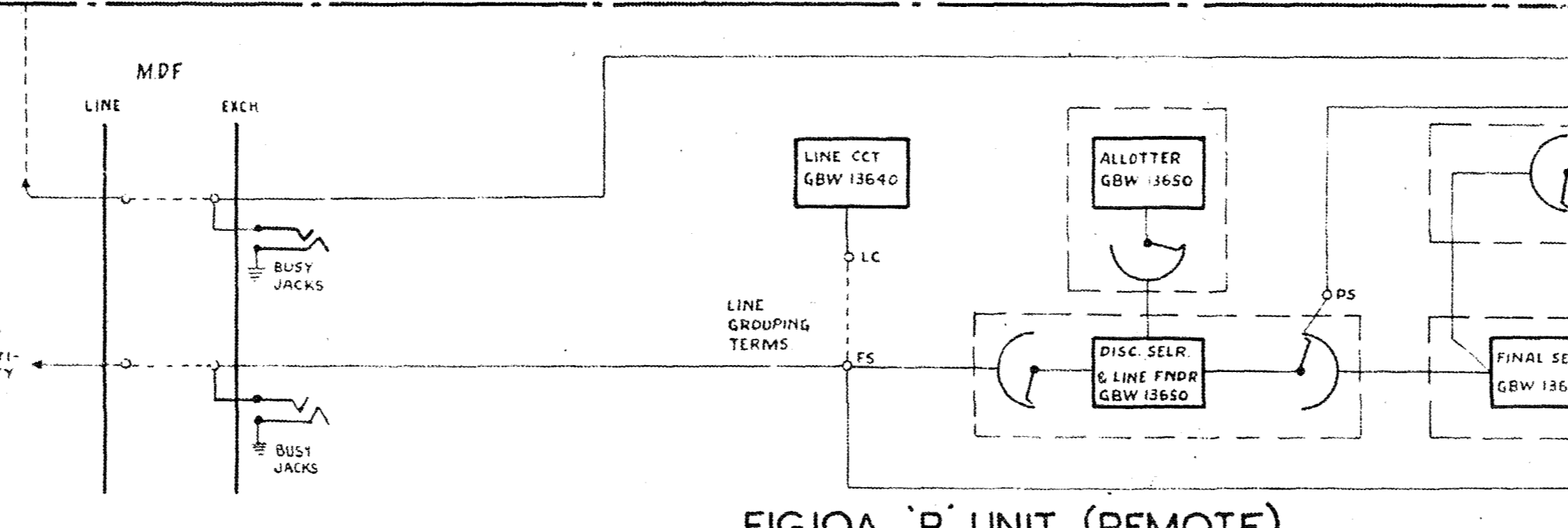


FIG.10A 'R' UNIT (REMOTE)

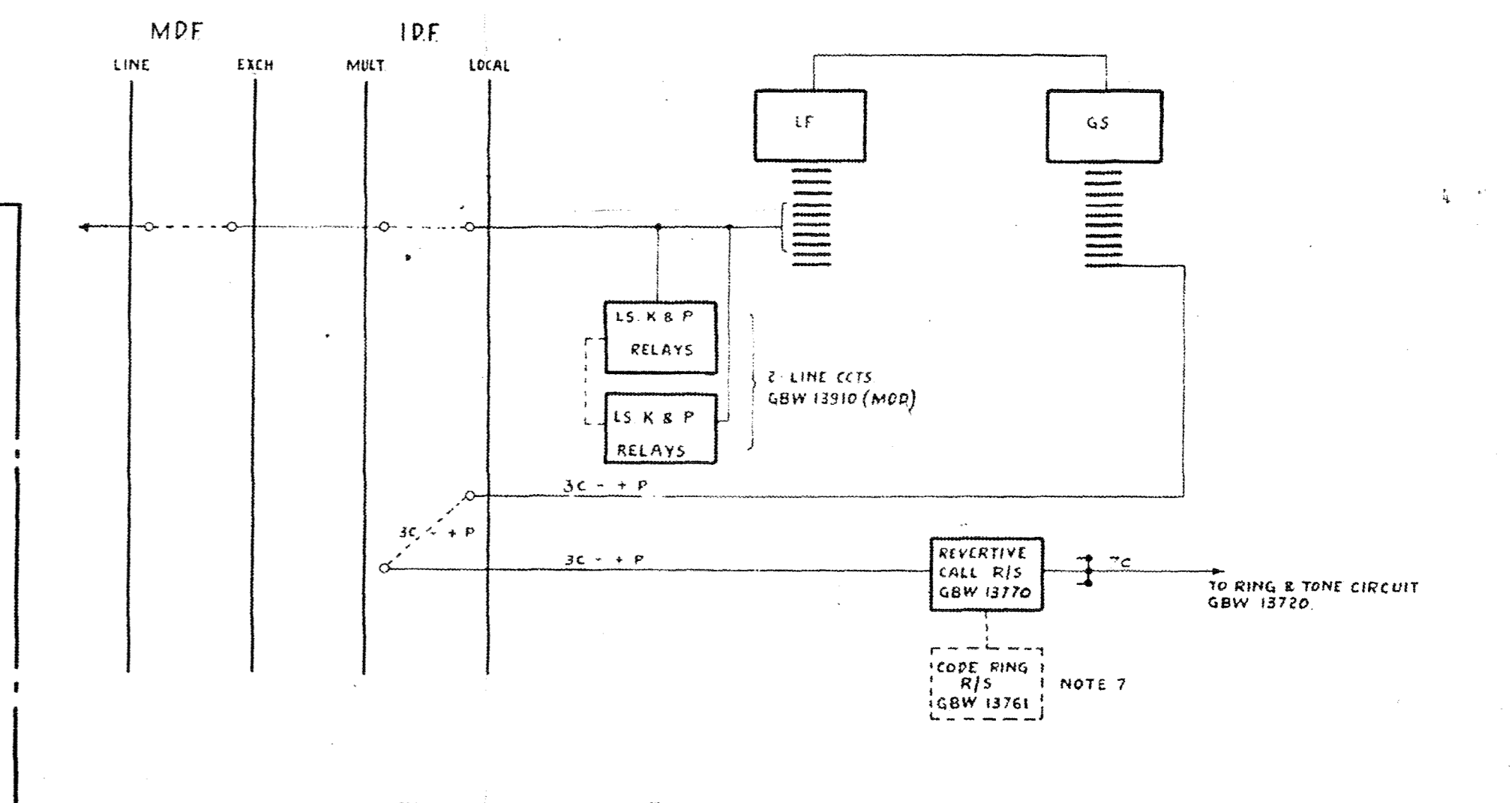


FIG.14 2-PARTY SHARED SERVICE WITH REVERTIVE CALLING EQUIPMENT

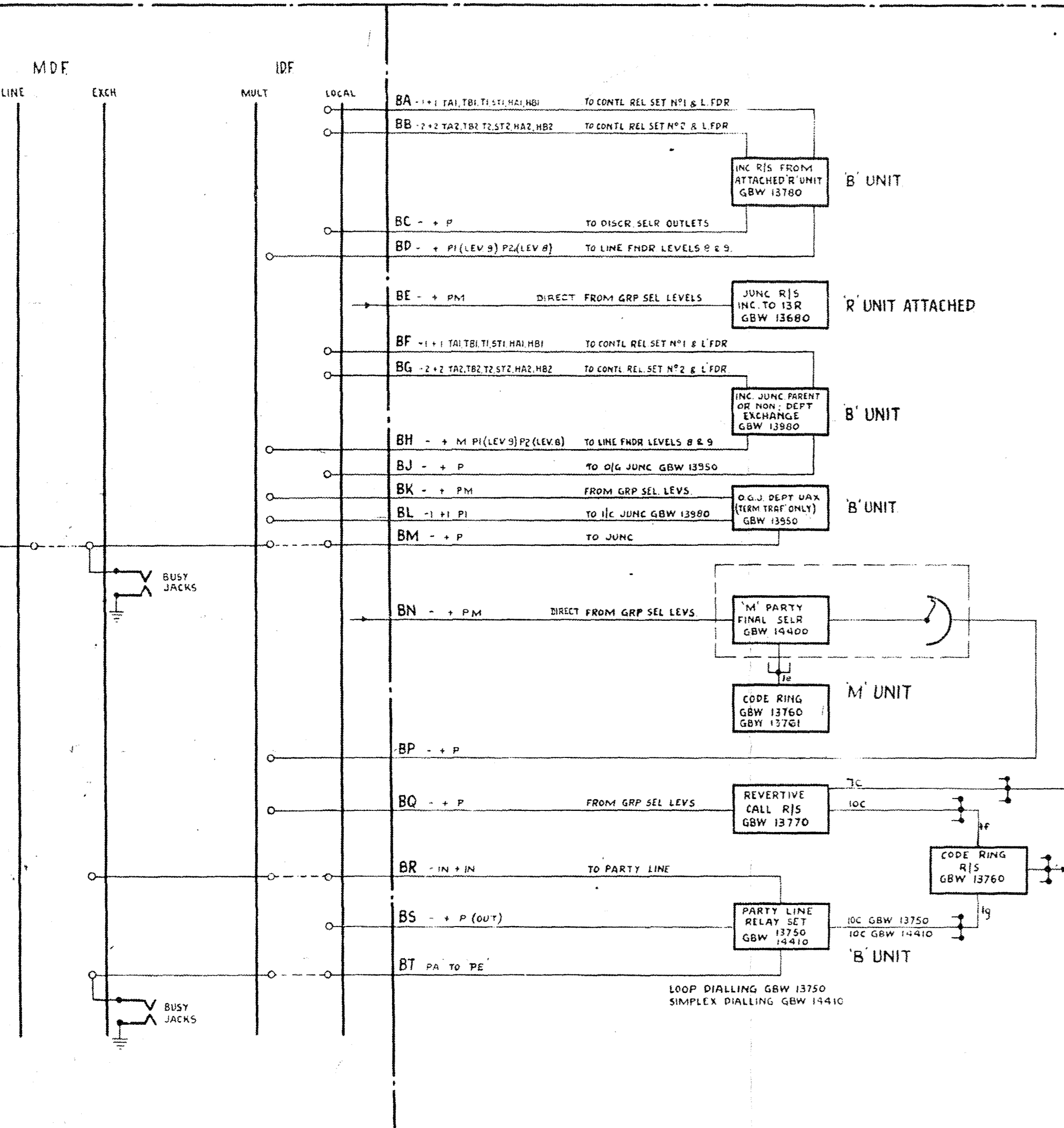


FIG.12 'B', 'R' & 'M' UNIT CABLING

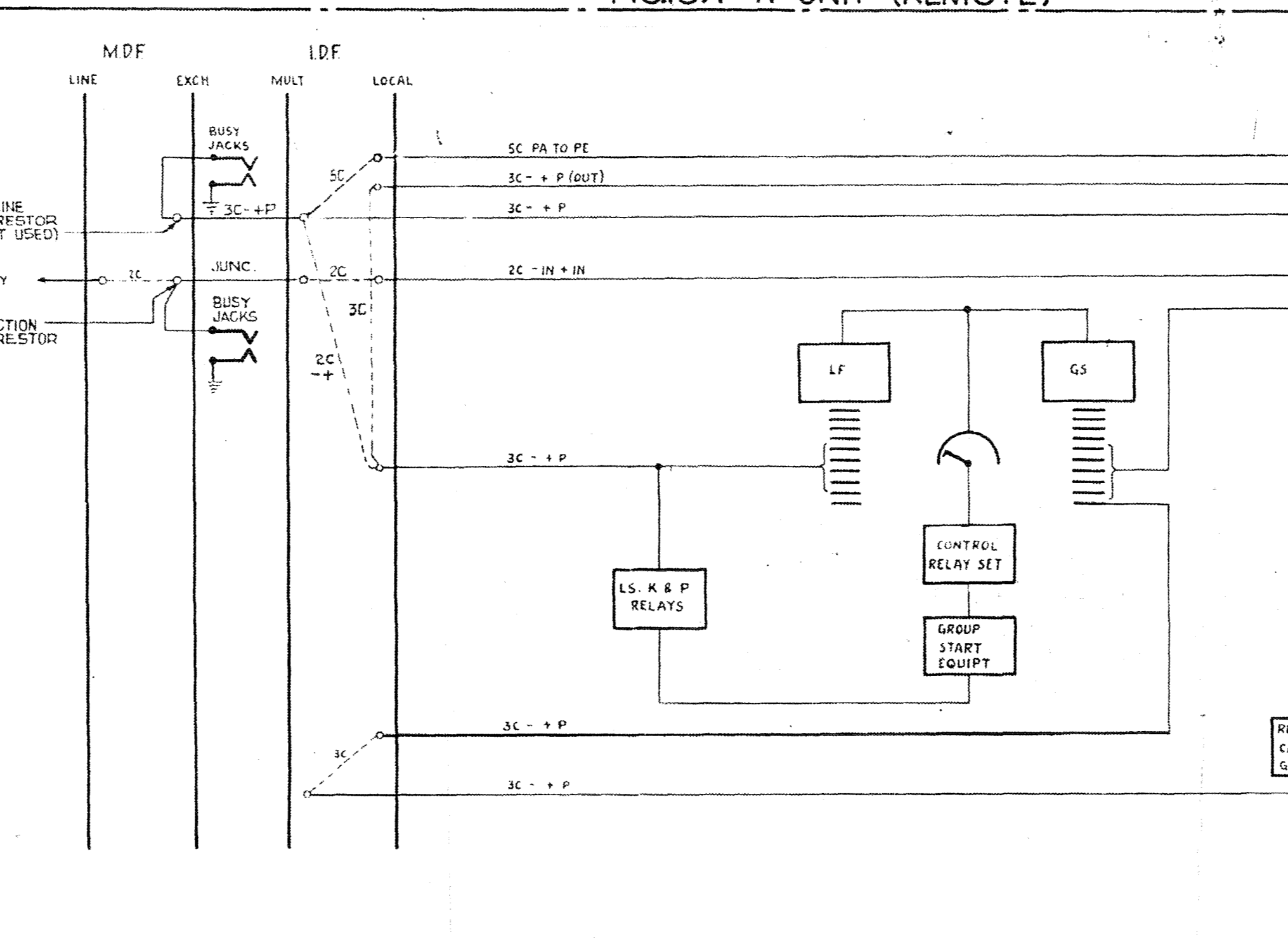


FIG.13 5 PARTY LINES WITH LOOP & SIMPLEX DIALING & REVERTIVE CALLING EQUIPMENT

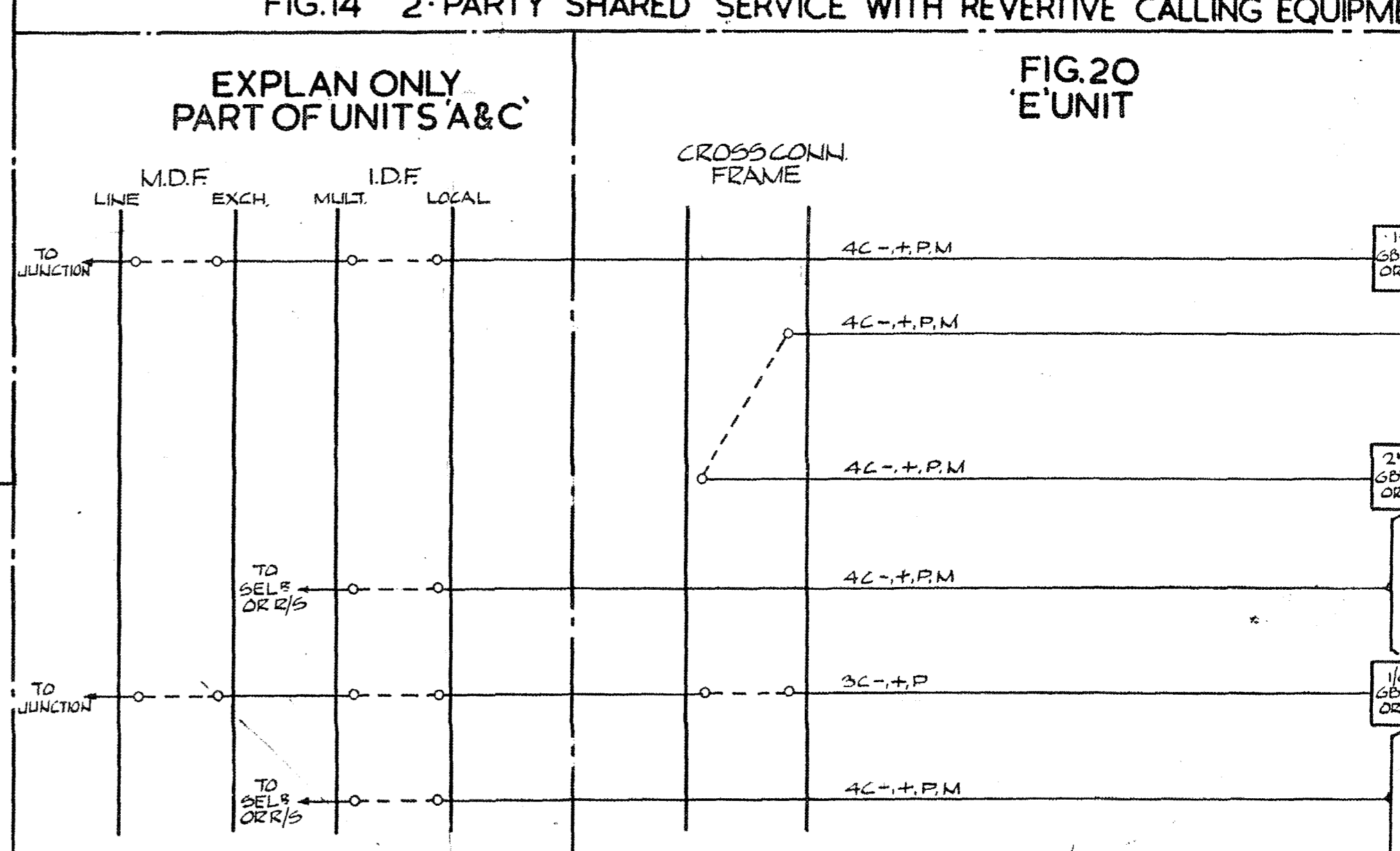


FIG.20 'E' UNIT

EXPLAIN ONLY PART OF UNITS 'A' & 'C'

TYPICAL CABLING JUMPING & TRUNKING ARRANGEMENTS U.A.N.Z. 13M	
FIG. 20 & EXPLAN. FIGS WERE NOT SHOWN (48081)	2 2-11-61
AMENDMENT PARTICULARS	ISSUE DATE APP
NZPO	DRAWN BY: WIRING CIRCUIT
GBW 15780	SHEET 2 OF 2

FIG.15
UNIT 'C'

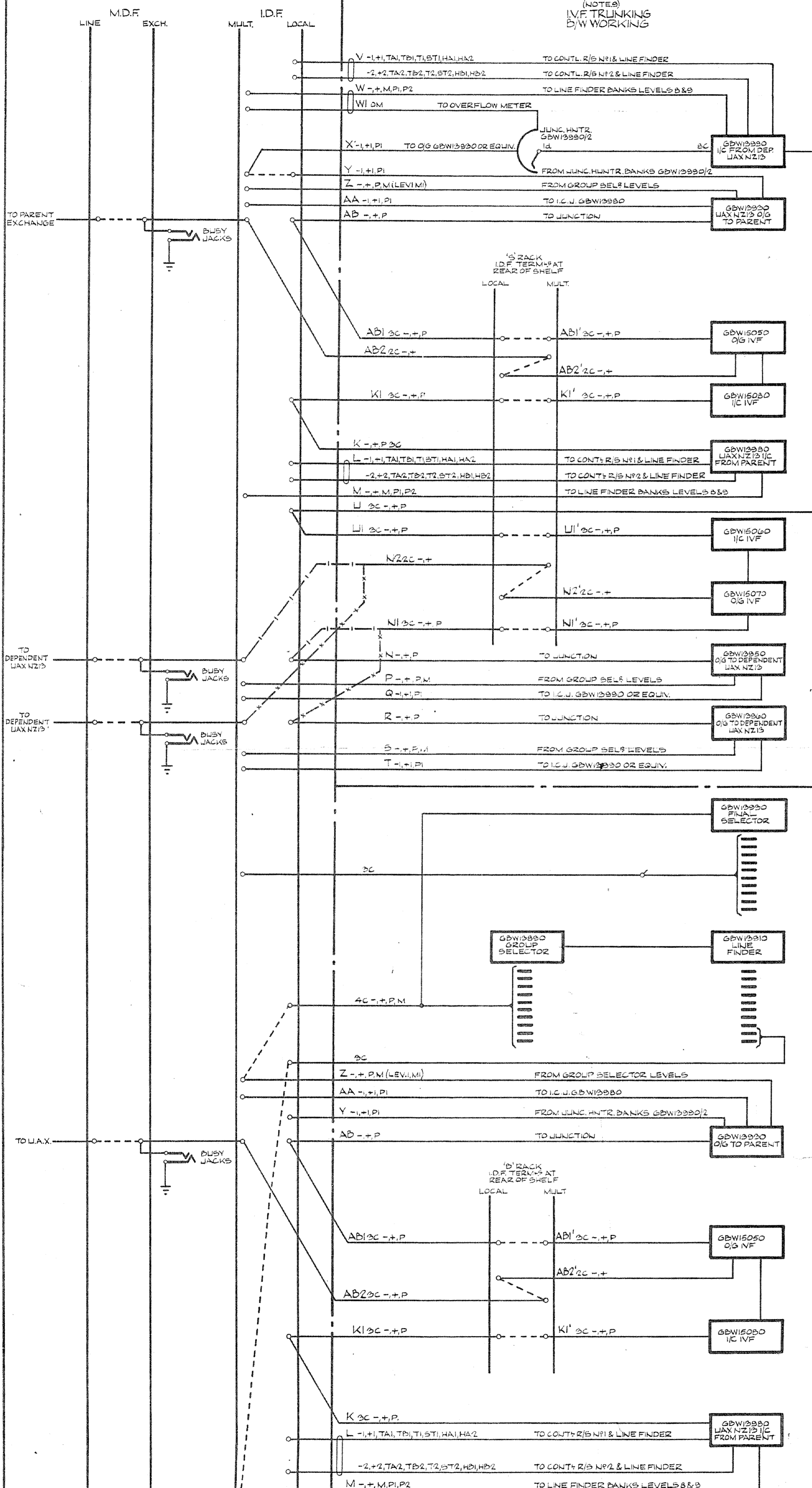


FIG.16
UNIT'S
U.A.X.
(NOTE 8)
I.V.F. TRUNKING
D/W WORKING

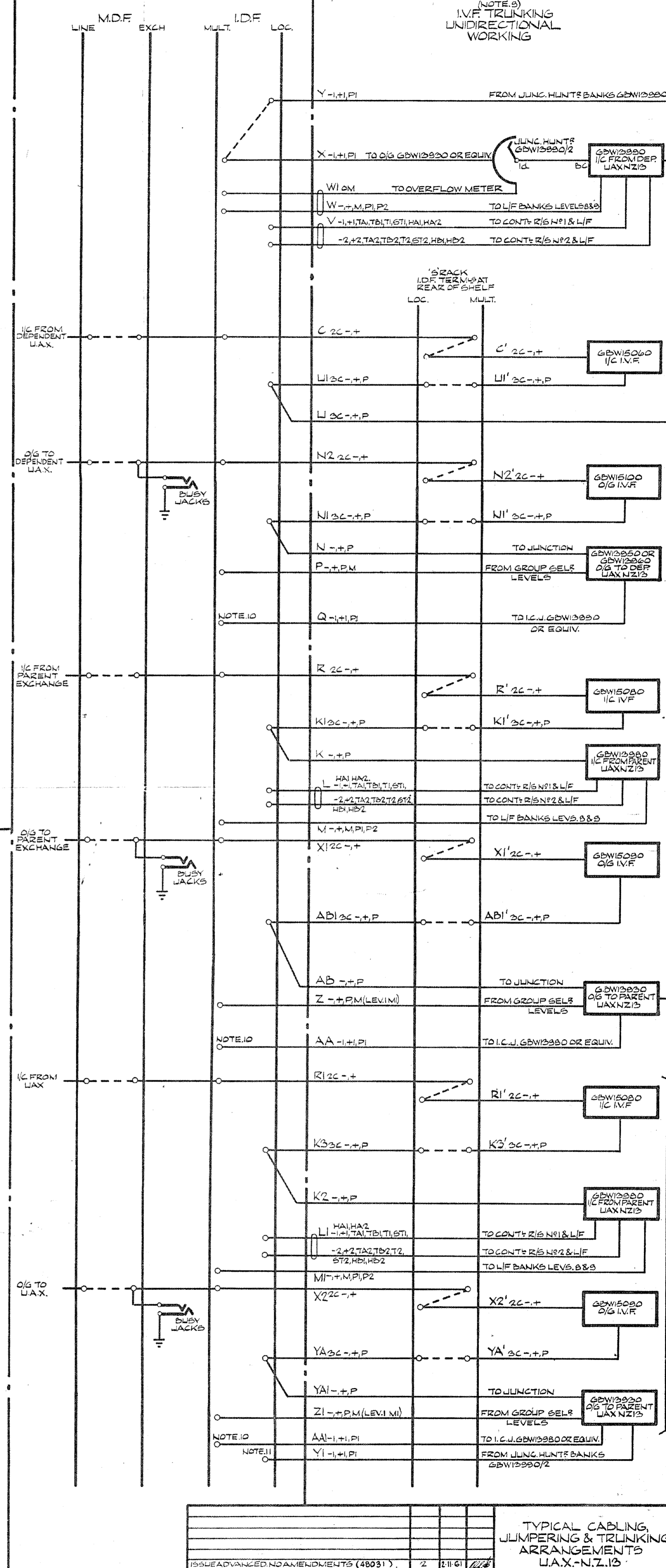


FIG.17
UNIT'S A & D
(NOTE 8)
DEPENDENT U.A.X. NZ 13

FIG.18
UNIT 'C'

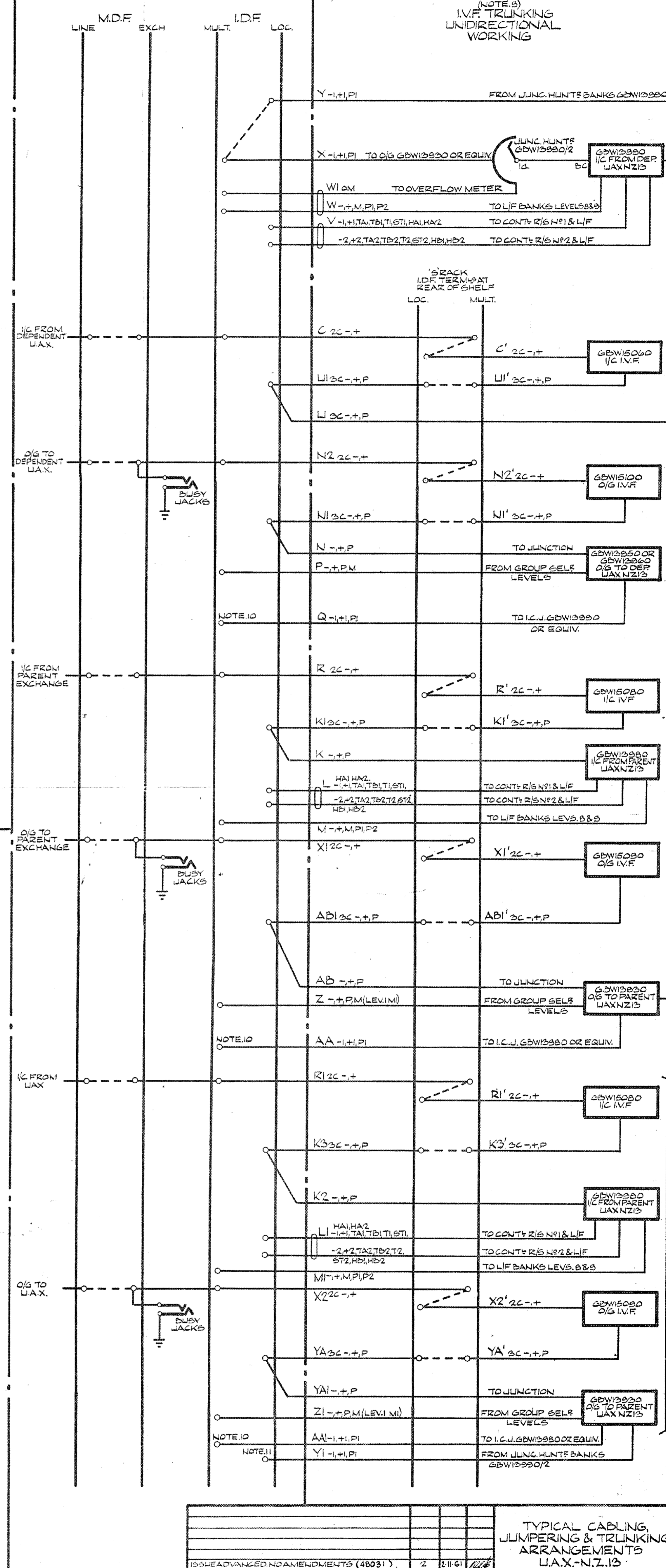
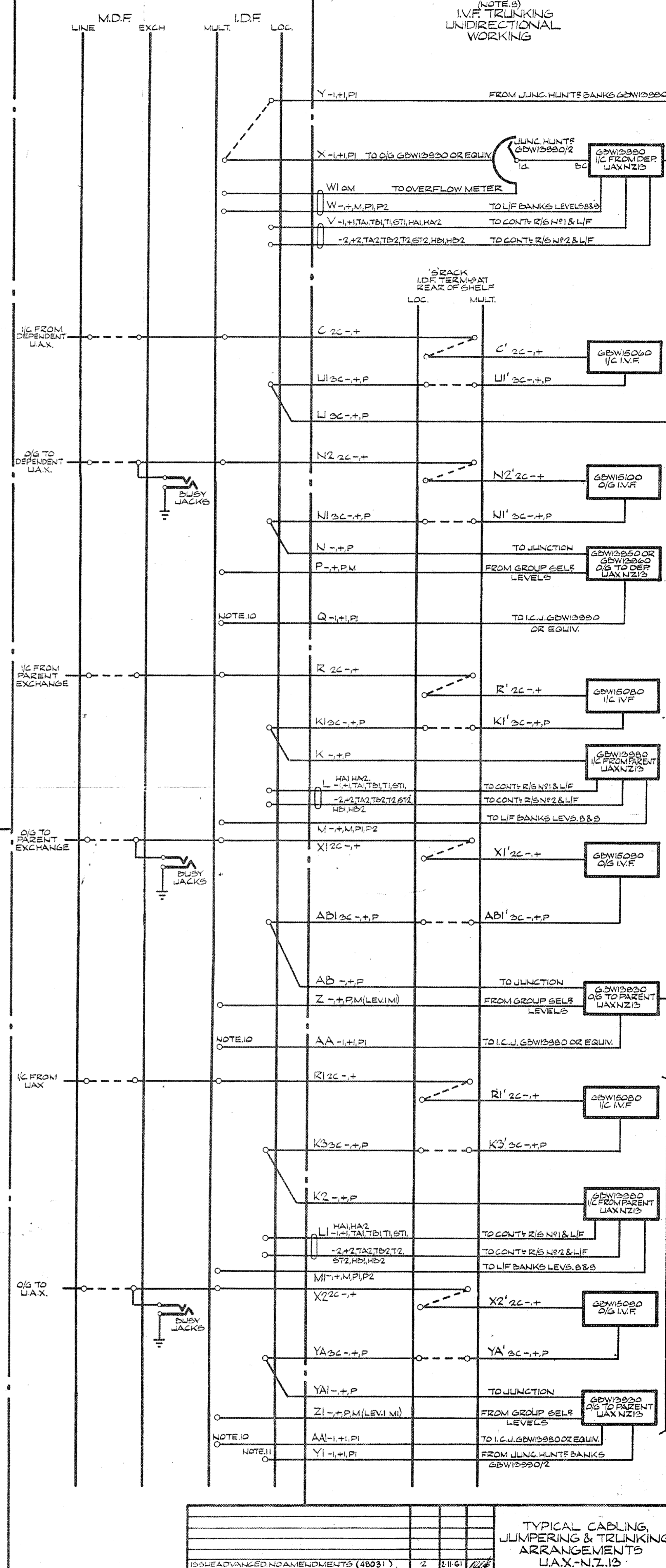


FIG.19
UNIT'S
U.A.X.
(NOTE 8)
I.V.F. TRUNKING
UNIDIRECTIONAL
WORKING



TYPICAL CABLING, JUMPERING & TRUNKING ARRANGEMENTS U.A.X.-N.Z.13			
ISSUE ADVANCED NO AMENDMENTS (40031)	2	21161	
AMENDMENT PARTICULARS	ISSUE DATE	APP	SOY H
NZPO	DRAWN J.B.	CHECKED 4/11/61	WIRING CIRCUIT J.B.

GBW 15780 SHEET 3-3