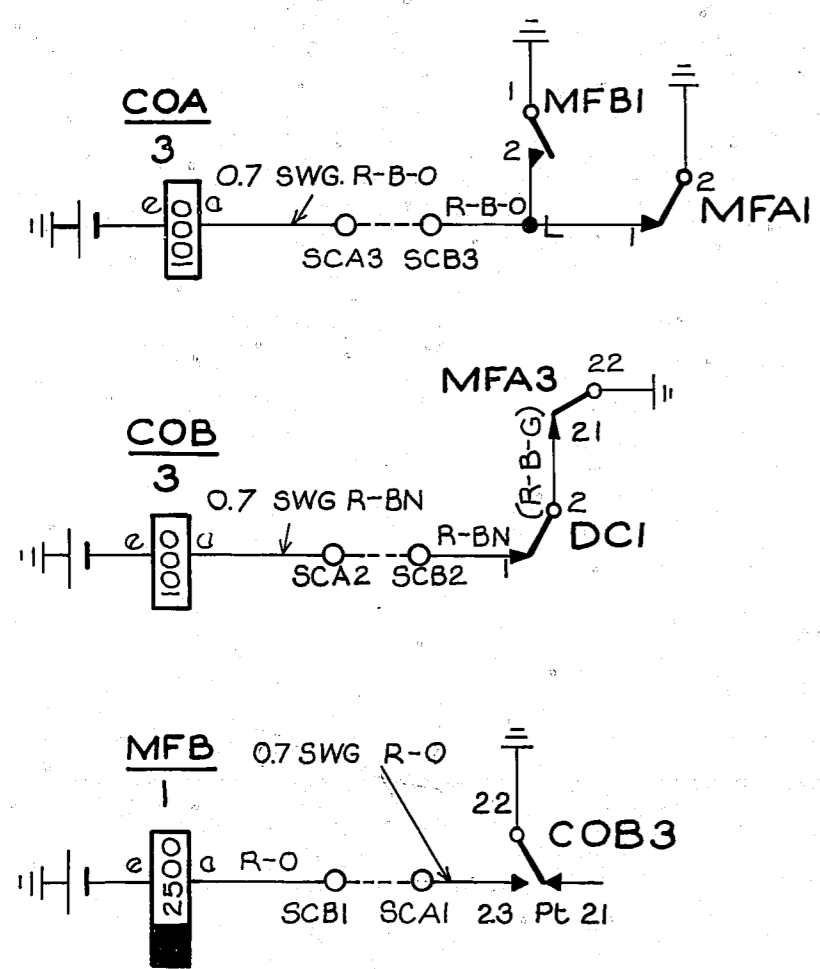
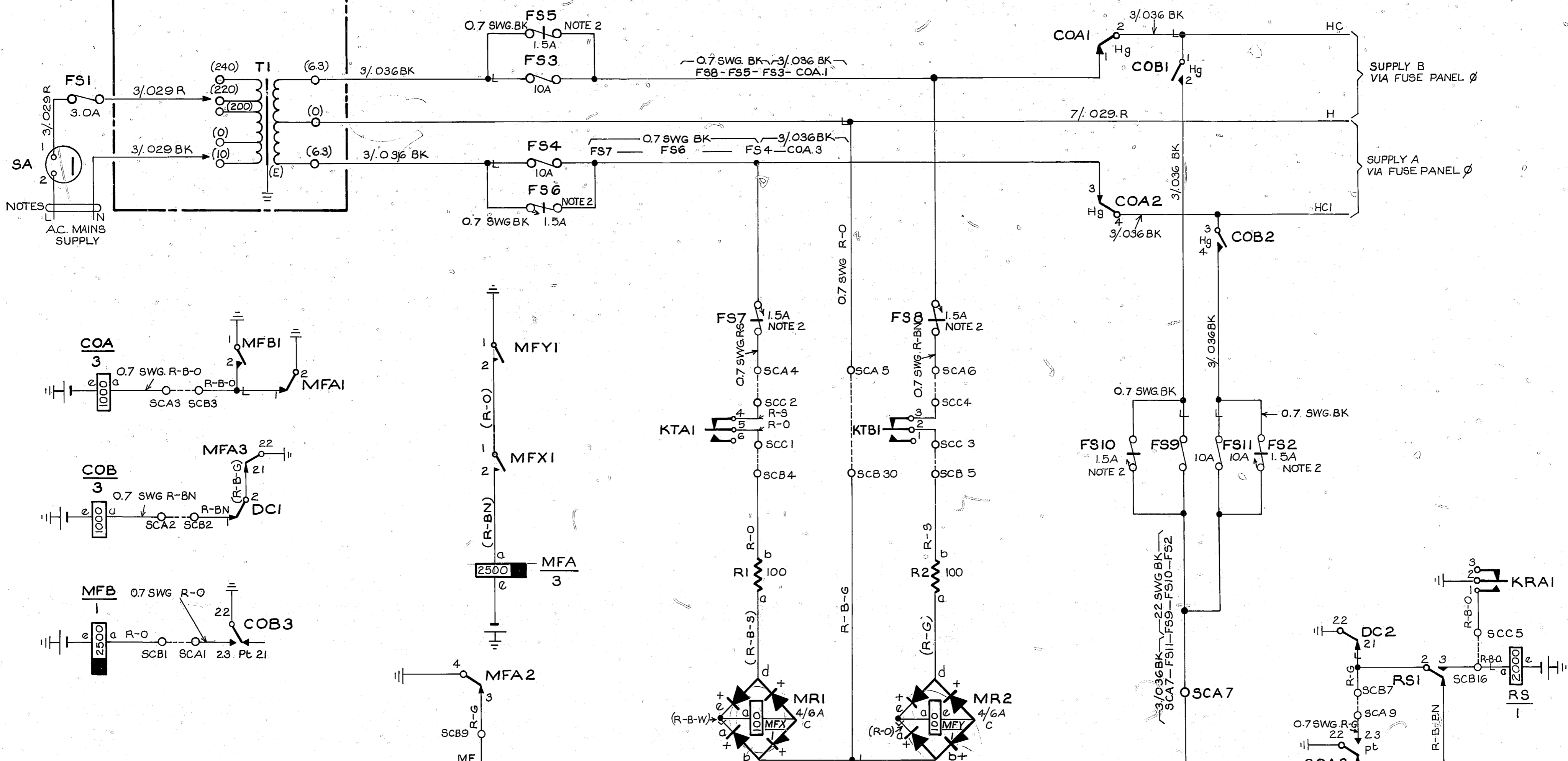


FIG. 1B PER FIG 1A.

FIG. 1A PER 32 B/W CCTS. (PER 2 FEEDS)



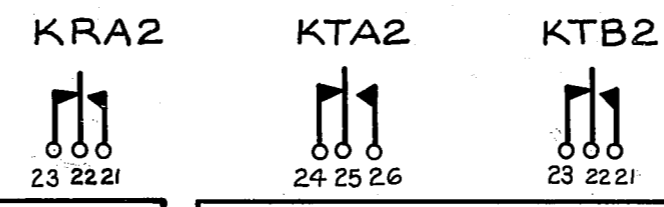
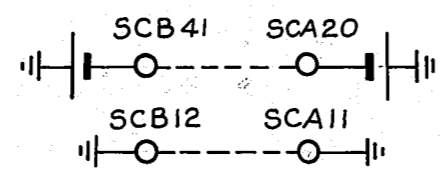
- NOTES**
1. FUSING NEG BATT. 1.5A PER CIRCUIT.
  2. THE ALARM CONTACTS ON FUSES FS2, FS5, FS6, FS7, FS8, AND FS10 ARE NOT USED.
  3. Ø FOR WIRING OF RACK COMMON SERVICES FOR IMF SYSTEM SEE GBW 13730 OR EQUIV.
  4. WIRING UNLESS OTHERWISE SPECIFIED TO BE 0.5 SWG. PLATE WIRING TO BE 0.5 SWG.
  5. ON SOME EARLY EQUIPMENT SA WAS A DOUBLE POLED SWITCH.

Ø TO MF TERML. GBW 13730 FIG. 32

0.7 SWG. BK  
SCA20 - COAe - COBe  
BK SCB41 - MFBe - MFAe - DCe - RSe

0.7 SWG. R  
SCA11 - COA22 - COB22  
T1/E (FIG. 1B)

R SCB12 - MFY1 - MFBI - MFA 22 - MFA2 - MFA4 - DC22  
R SCC40 - KRA2



**TERMINAL DESIGNATIONS.**

SCA	HEATER PANEL
SCB	RELAY PANEL
SCC	REC. & OSC PANEL

6-3 VOLT AC HEATER SUPPLY WITH AC/DC CHANGE OVER FACILITY U.A.X. 13. IVF. SYSTEM

RETRACED (17012)	2A	4-2-80	G. 15660
NOTE 5 ADDED (35743)	2	19.1.61 K.G.H.	
AMENDMENT PARTICULARS	ISS. DATE	APPD.	SIZE: A2 50V S
N.Z.I.P.O.	B.C.	V. 25	F.J.O.

