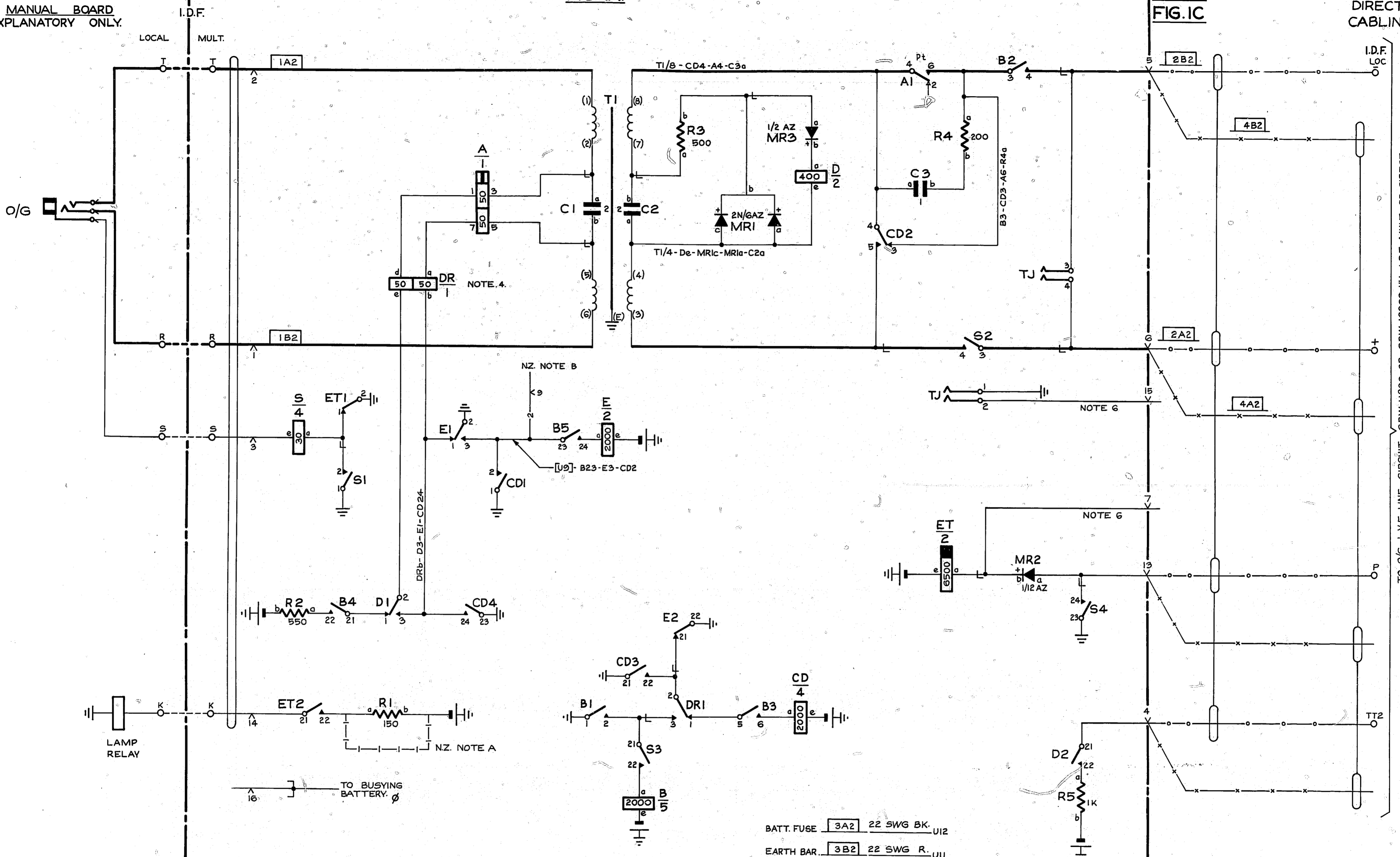


MANUAL BOARD  
EXPLANATORY ONLY.

FIG. IA.

FIG. IB  
FIG. IC

I.D.F.  
DIRECT  
CABLING.



**NZ NOTES:**

- A. WHEN LAMP RELAY IS NOT EQUIPPED & K LEAD IS CONN. DIRECT TO LAMPS USE CONN. SHOWN
- B. WHEN PROVIDED FOR AC2 JUNCTION O/G TO REMOTE MANUAL EXCHANGE PROVIDE CONNS. SHOWN-2-2- & STRAP U PTS. 9&11.

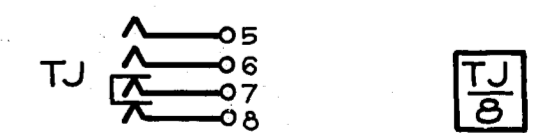
**NOTES:**

- 1. FUSING 1.5A PER RELAY SET.
- 2. SHELF JACK U POINTS 9&11 AND 14&16 TO MAKE CONTACT WHEN RELAY SET IS REMOVED.
- 3. Ø FOR WIRING SEE GBW 10640 OR EQUIVALENT.
- 4. THE COILS OF RELAY DR ARE CONNECTED DIFFERENTIALLY.
- 5. ALL WIRING NOT OTHERWISE SPECIFIED TO BE 25 SWG.
- 6. STRAP U PTS 7&15 WHEN ACCESS TO ASSOCIATED A.C. LINE CIRCUIT IS SHARED WITH SELECTORS. OTHERWISE STRAP U PTS. 13 & 15.

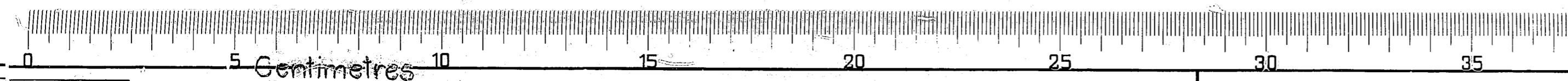
BATT. FUSE 3A2 22 SWG BK. U12

EARTH R U11-T1/E-B1-S23-S1-ET2-E22-E2-CD21-CD23-CD1-TJ1.

BATT. W. U12-Bc-ETe-Ee-CDe-R1b-R2b-R5b  
EARTH R U11-T1/E-B1-S23-S1-ET2-E22-E2-CD21-CD23-CD1-TJ1.



PREPARED FROM G.B.W. 15640 COY. 155.4.(22045)				A	B. 2. 74	B5H
AMENDMENT	PARTICULARS	ISSUE DATE	APPR	SIZE	A2	50V S
NZPO	DRAWN F.J.O.	CHECKED F.J.O.	WIRING C.C.S.	CIRCUIT E.W.D.	50	
O/G JUNCTION FROM WE. CO. BRIDGE CONTROL SWITCHBOARD FOR USE WITH O/G I.V.F. LINE CIRCUIT						
GBW 15640 MOD A						



TO O/G I-V.F. LINE CIRCUIT GBW 11880 OR GBW 12660 VIA I.D.F. MULT. OR DIRECT.