

FIG. 1 RELAY SET

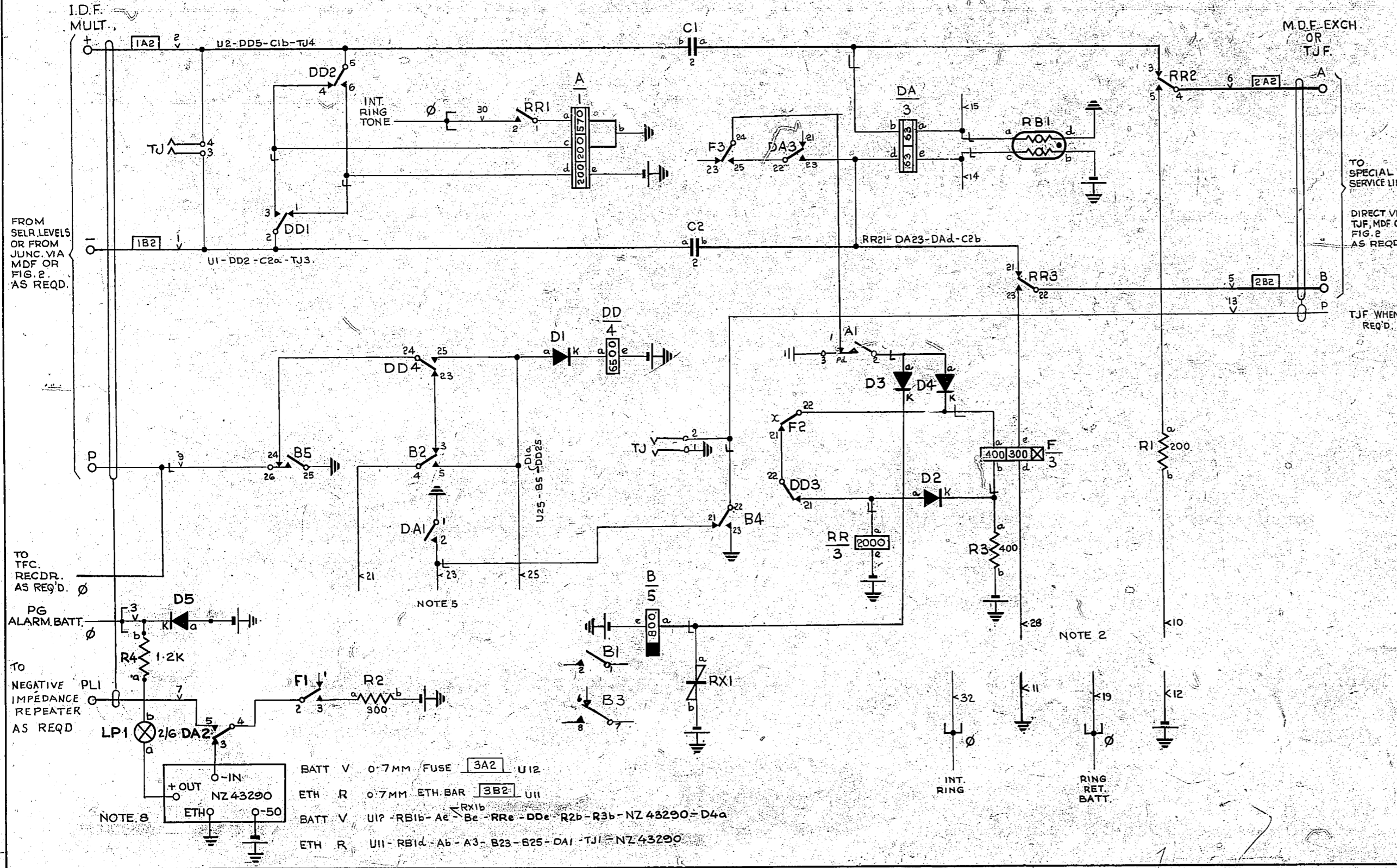
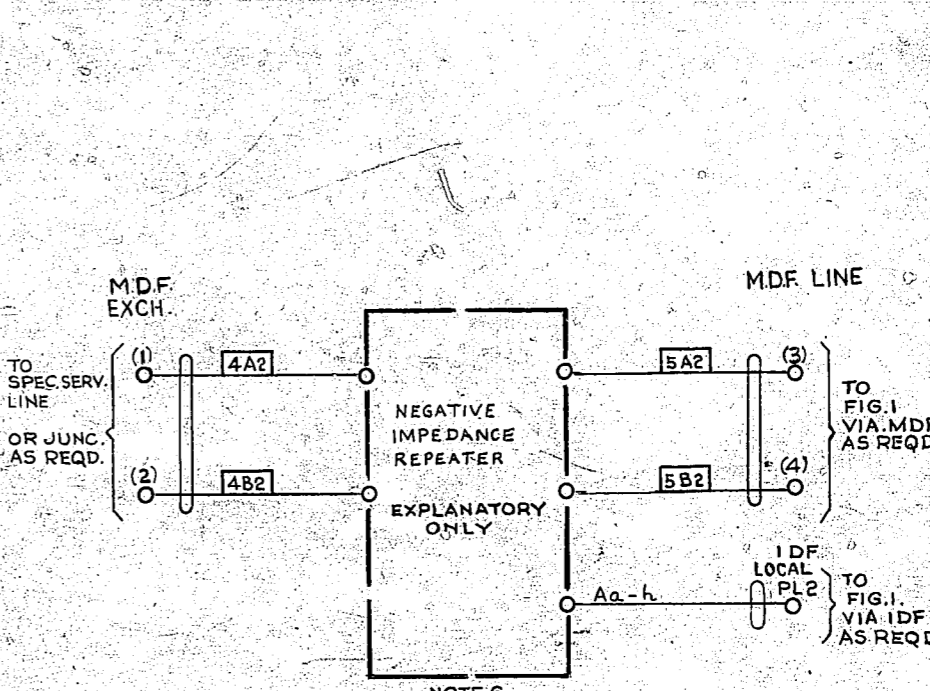


FIG. 2 NEGATIVE IMPEDANCE REPEATER RACK (REF:- N.Z.P.O. DRG. 34442)



- NOTES :-
1. FUSE :- 1.5-A PER CIRCUIT.
  2. STRAP UPTS 10 & 19, 28 & 32 WHEN RING SIGNAL REQ'D. STRAP UPTS 10 & 12, 28 & 11 WHEN BATT. & ETH. SIGNAL REQ'D.
  3. Ø FOR WIRING SEE GBW 10640 OR EQUIV.
  4. ALL WIRING TO BE 0.5MM UNLESS OTHERWISE SPECIFIED.
  5. WHEN CCT. TERMINATES JUNCTION OR WHEN LOCAL MANUAL HOLD REQ'D. INSERT STRAP U23 & U25 FOR ALL OTHER CASES STRAP U21 & U23.
  6. NEGATIVE IMPEDANCE REPEATER STRAPPED FOR 50V WORKING
  7. U9 & 11 MAKE WHEN RELAY SET IS REMOVED.
  8. NZPO 43290 MAY BE REPLACED BY LOCALLY MOUNTED COMPONENTS AT SOME EXCHANGES.

NOTE 5

NOTE 2

NOTE 6

NOTE 8

BATT V 0.7MM FUSE 3A2 U12

ETH R 0.7MM ETH.BAR 3B2 U11

BATT V U1? - RB1b - Ae - Be - RRe - DDe - R2b - R3b - NZ 43290 - D4a

ETH R U11 - RB1d - Ab - A3 - B23 - B25 - DA1 - TJ1 - NZ 43290

|   |  |  |  |  |         |
|---|--|--|--|--|---------|
|   |  |  |  | 1/C JUNC. OR SEL. LEVEL RS. TO SPEC. SERVICE LINES W/ OR W/O MANUAL HOLD & NEG. IMPED. RPTR. SWITCHING |         |
| AMENDED TO NZM VZ (038447) 1A 28-9-88 GCG (2289) 1-5-73 ARS |  |  |  | DATE   | APPRO   |
| AMENDMENT PARTICULARS                                       |  |  |  | ISSUE  | DATE    |
| REF. N.Z. DRG. 34442  |  |  |  | 50 V   | W       |
| NZPO  |  |  |  | DRAWN J.G.   | CHECKED |
|   |  |  |  | WIRING   | CIRCUIT |
| GBW 15150   |  |  |  | SIZE   | L       |