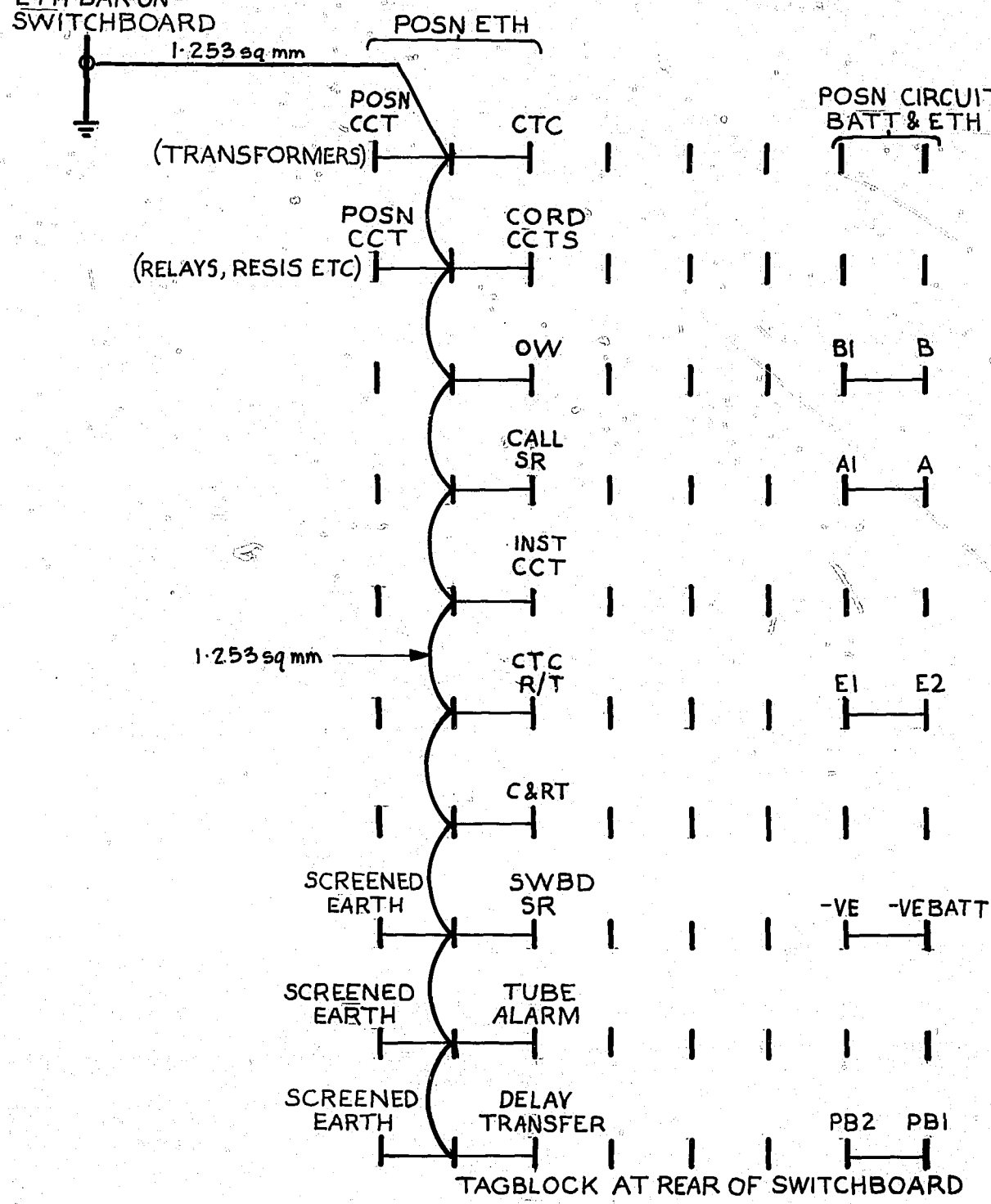
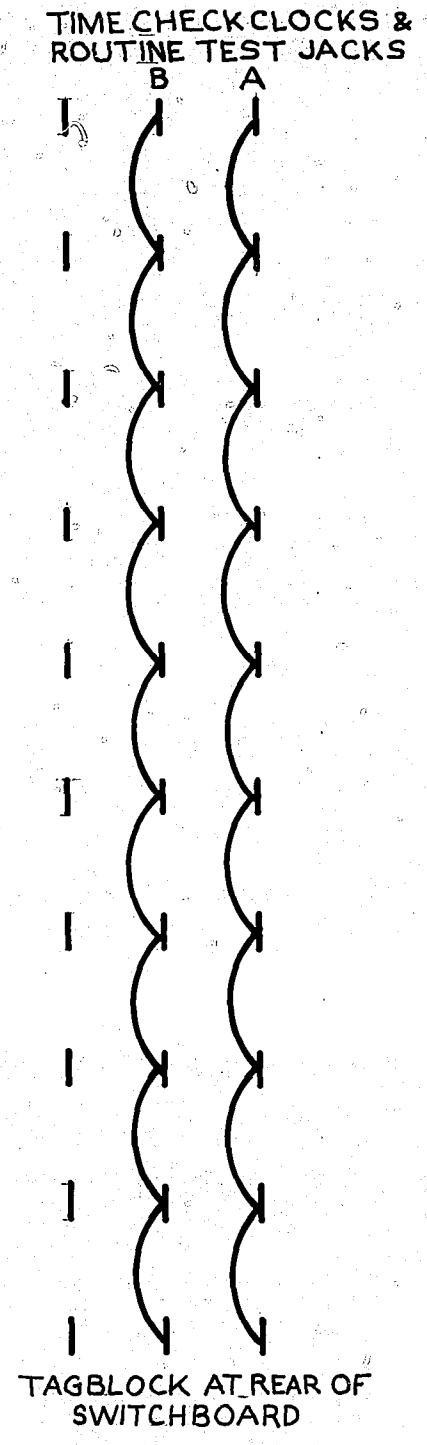


ETH BAR ON SWITCHBOARD



NOT TO BE USED FOR NEW WORK



NOTES.  
1. ALL WIRING AND STRAPS TO BE 0.9mm UNLESS OTHERWISE SPECIFIED.

				SWITCHBOARD CONN STRIP COMMONING DIAGRAM						
REDRAWN AND METRICATED (154587)								2A	22-6-78	RED
REF ADDED NOT TO BE USED FOR NEW WORK (72438)								2	16-3-64	PH
AMENDMENT PARTICULARS				ISSUE	DATE	APPD	REF: GBW12810	SIZE: S	50V	K
NZPO				DRAWN	CHECKED	WIRING	CIRCUIT	GBW15030		
				KJ			AB			