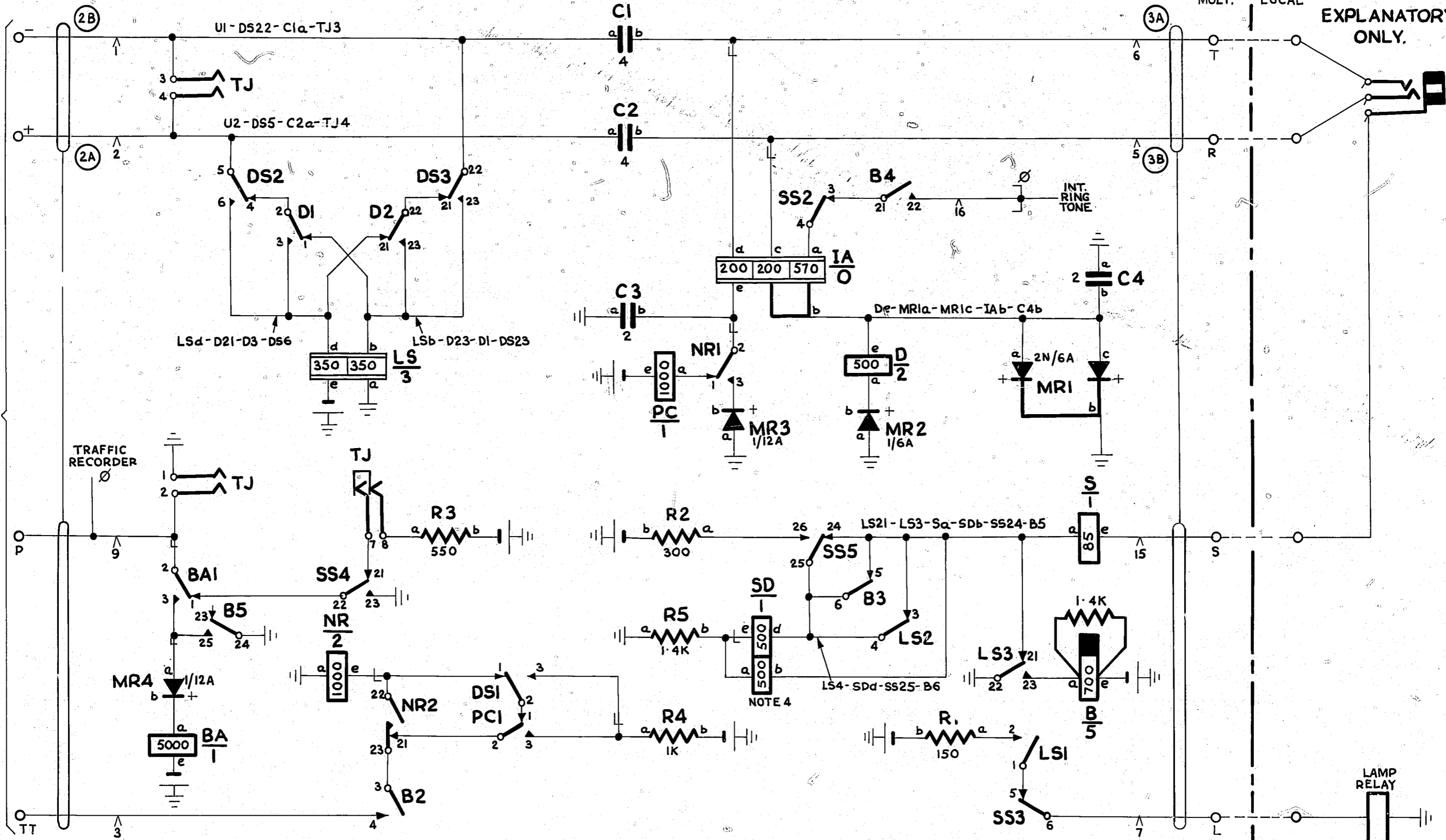


I.D.F.
MULT OR LOCAL

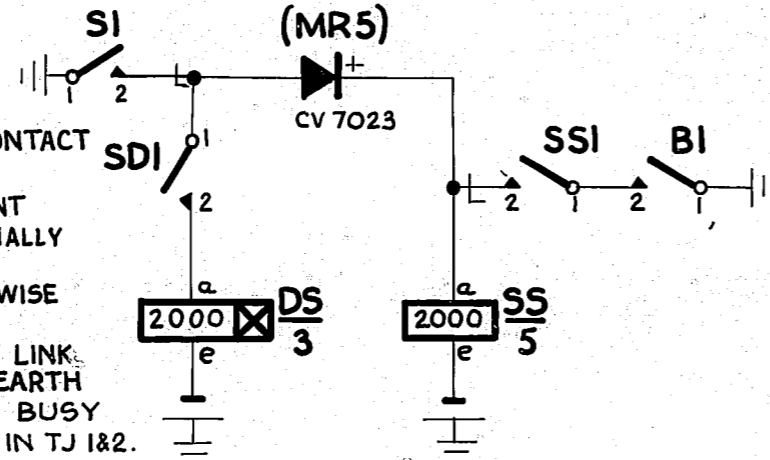
I.D.F. LOCAL
MANUAL BOARD
EXPLANATORY ONLY.

FROM TANDEM
GROUP SELECTOR
GBW 11630, 14580 OR
GBW 11620 OR EQUIV.

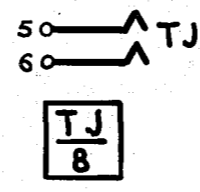


NOTES

1. FUSE 1.5A PER CIRCUIT
2. SHELF JACK POINTS U9 & U11 TO MAKE CONTACT WHEN RELAY SET IS REMOVED
3. Ø FOR WIRING SEE GBW 10640 OR EQUIVALANT
4. THE WINDINGS OF SD RELAY ARE DIFFERENTIALLY CONNECTED.
5. ALL WIRING TO BE 0.5mm. UNLESS OTHERWISE SPECIFIED.
6. WHEN CIRCUIT IS BATTERY TESTED INSERT LINK IN TJ7 & 8. WHEN CIRCUIT IS ABSENCE OF EARTH TESTED INSERT LINK IN TJ 5 & 6 TO BUSY BOTH TYPES OF CIRCUIT INSERT IN TJ 1&2.



BATT. FUSE (IA) 0.7mm. U12
EARTH BAR (IB) 0.7mm. U11



BATT. W. U12-BAe-LSe-PCe-SSe-DSe-Be-R1b-R2b-R3b-R4b.
EARTH. R. U11-LS22-LSa-SI-MR3a-MR1b-MR2a-SS23-NRa-B24-B1-C3a-C4a-R5a-TJ1

				'O' LEVEL RELAY SET		
				FROM I/C I.V.F CCT VIA TANDEM GP SELR (SLEEVE CONTROL MANUAL BOARD) 2000 TYPE		
RE-TRACED & METRICATED (157777)		2A	17.5.78	R.E.D.		
CONTACT S1 REPOSITIONED MR5 ADDED (50414)		2	29.7.59	DBH.		
		(33624)	1	24.7.59 DL.		
AMENDMENT PARTICULARS			ISSUE	DATE	APP?	
				SIZE: S	50V S	
			GBW 15011			
N.Z.P.O.		DRAWN	TRACED	CHECKED	CIRCUIT	
		G.E.M.			E. B.	