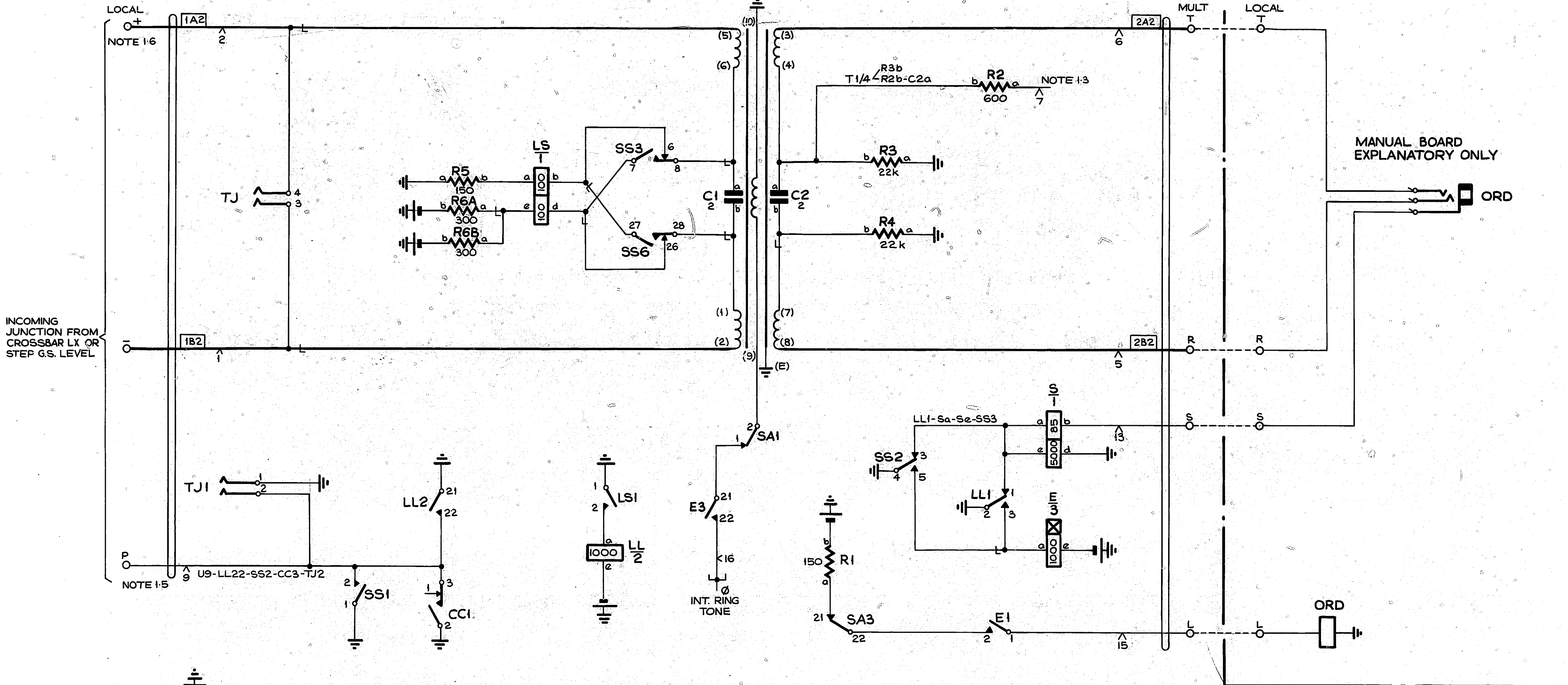


MANUAL I.D.F.

MANUAL I.D.F.

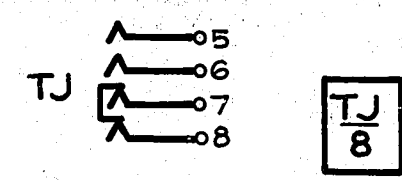


MANUAL BOARD EXPLANATORY ONLY

INCOMING JUNCTION FROM CROSSBAR LX OR STEP G.S. LEVEL

- NOTES:-
1. FUSE 1:5A PER CIRCUIT.
 2. Ø - FOR WIRING SEE GBW 10640 OR EQUIV.
 3. STRAP SHELF JACK POINTS U7 & U11 WHEN CIRCUIT IS ASSOC'D WITH AN UNDER 3dB JUNCTION: (WHEN JUNCTION IS BUILT OUT TO MINIMUM LOSS 2dB, NO STRAP IS NECESSARY. REF: E.1'S TRANS TELS B2000 ISSUE 2.)
 4. ALL WIRING UNLESS OTHERWISE SPECIFIED TO BE 0.5mm.
 5. U9 & U11 TO MAKE CONTACT WHEN RELAY SET REMOVED.
 6. MAY BE CABLED TO SWITCHING EQUIPMENT IDF OR MDF AS SPECIFIED.

BATT. 0.7mm BK. FUSE [3 B2] U12
 ETH. 0.7mm R ETH BAR [3 A2] U11
 BATT. W U12-LL2-SS2-SA2-E2-CC2-R6A-R6B-R1b
 ETH. R U11-T1/E R3a-T1/O-LS1-LL2I-LL2-Sd-SI-SS2I-SS1-R4a
 SS4-SA4-E4-CC2-R5a-TJ1



				INCOMING JUNCTION OR SELECTOR LEVEL RELAY SET FROM CROSSBAR LX OR STEP TO GS3 T.M.X.	
REFER NZM : IS	(122579)	A	281-281	AS H	
AMENDMENT PARTICULARS			IS	DA	PP REF:-
NZPO		DRAWN	CHK'D	WIRING	CIRCUIT
GBW 15001 MOD A					SHT 1 OF 1