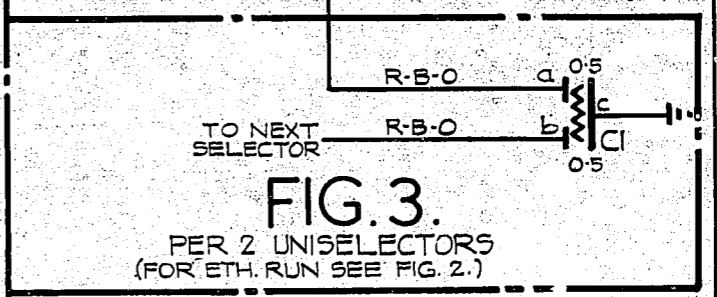
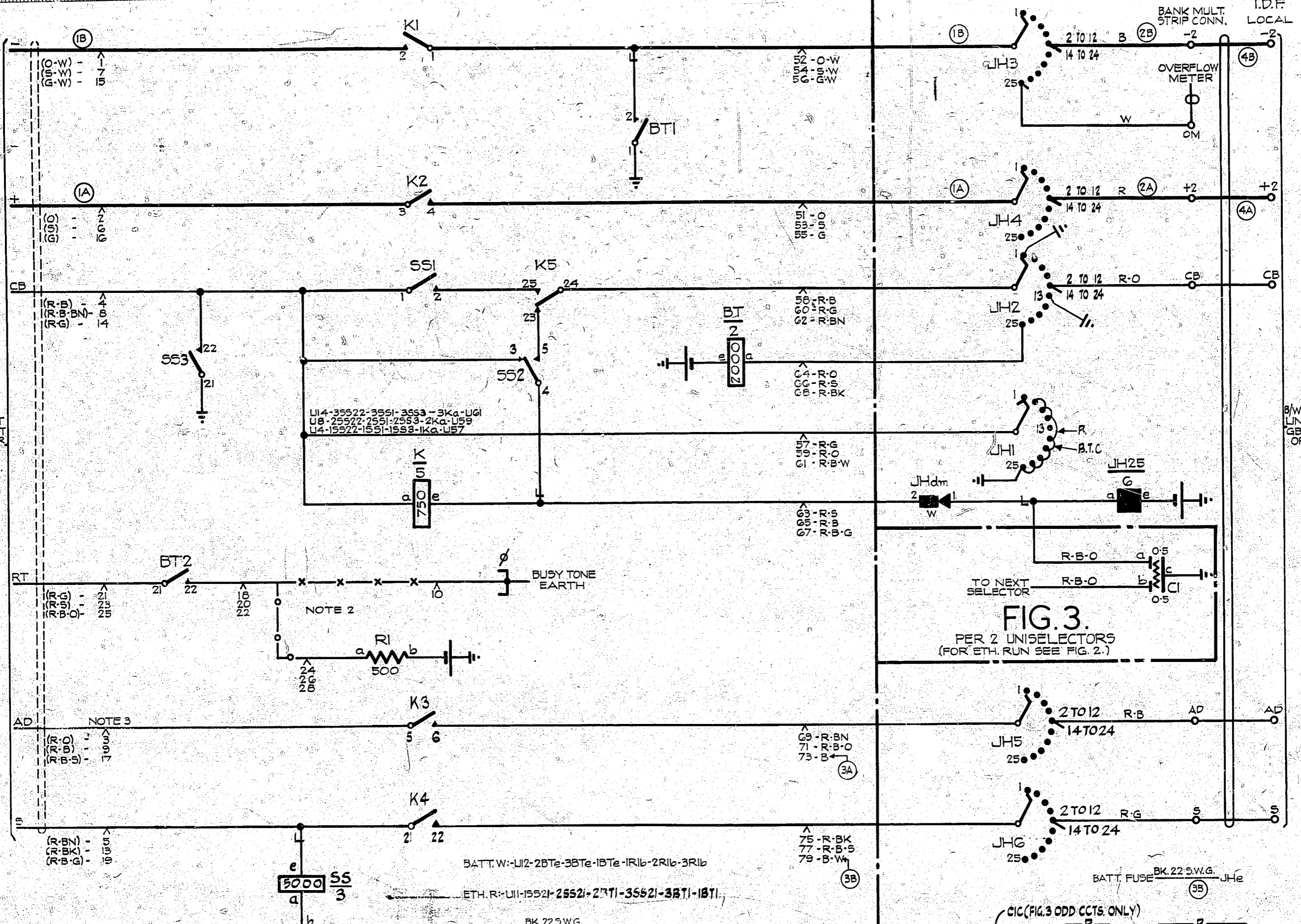
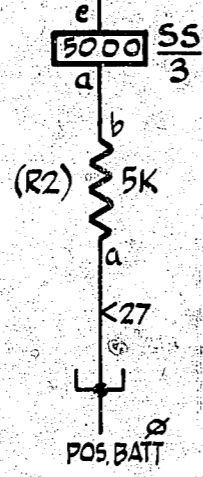


FROM U.A.X. NIGHT SWITCHING CIRCUIT GBW14950 FIG.1. OR EQUIV. OR FROM ADAPTOR CCT. GBW13540 FIG.1. OR EQUIV.

TO 3/W 2V.F. TOLL LINE CIRCUIT GBW12330 FIG.1. OR EQUIV.



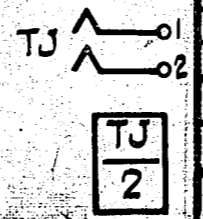
- NOTES:
1. FUSE:- 1.5A PER 3 CIRCUITS (FIG.1.), 1.0A PER CIRCUIT (FIG. 2.).
 2. WHEN FIG.1. IS ASSOCIATED WITH GBW14950 WIRE AS SHOWN THUS \circ & OMIT WIRING SHOWN THUS \times . WHEN FIG.1. IS ASSOCIATED WITH GBW13540 WIRE AS SHOWN THUS \times & OMIT WIRING SHOWN THUS \circ .
 3. SHELF JACK POINTS U9 & U11 TO MAKE CONTACT WHEN RELAY SET IS REMOVED.
 4. \emptyset FOR WIRING SEE ASSOCIATED GBW10640. OR EQUIV.
 5. UNLESS OTHERWISE SPECIFIED ALL WIRING TO BE 25 S.W.G.



- BATT. W:- U12-2BTe-3BTe-1BTe-1R1b-2R1b-3R1b
 ETH. R:- U11-15521-25521-2371-35521-3871-1871
 BATT. FUSE BK. 22 S.W.G. U12
 ETH. BAR R. 22 S.W.G. U11

NOT TO BE USED FOR NEW WORK

POS. BATT. RB-U27-(1R2a)-(2R2a)-(3R2a)



AMENDMENT PARTICULARS	ISSUE DATE	APPD	REF.
WIRING OF JH ARCS 5 & 6 REVISED, RESISTOR (R2) ADDED (1236)	4	G.3.04	D.B.H.
WIRING OF JH ARCS 1 TO 4 REVISED, POS. BATT. LEAD ADDED.	3		
NOT TO BE USED FOR NEW WORK NOTE ADDED	2		
	1		



SELECTOR LEVEL NIGHT SWITCHING TO 2V.F. ADAPTOR CIRCUIT.

14960