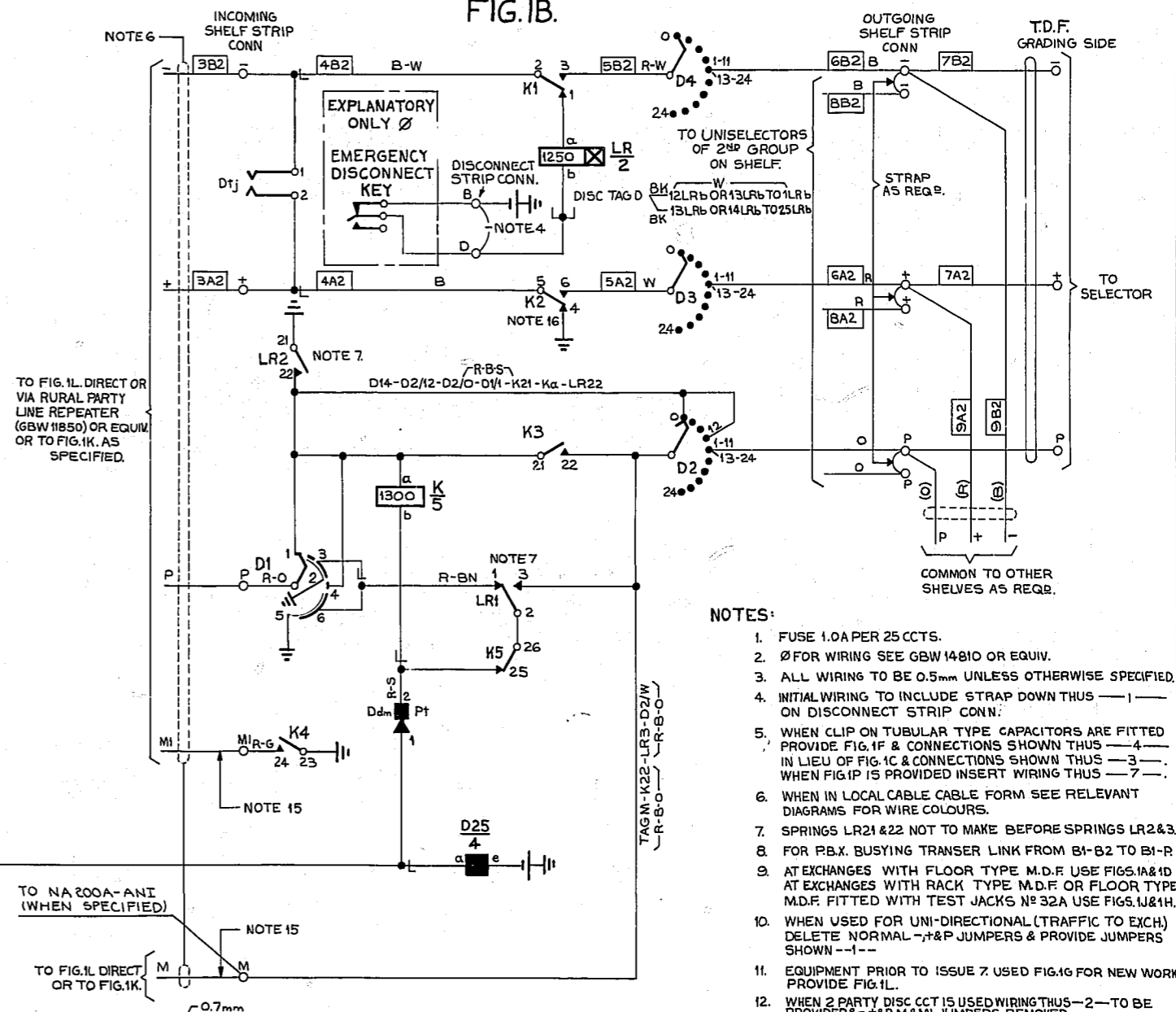


NZPO NOTE A
A NOTE 16 AMENDED.

15. M&MI LEADS ARE NOT CABLED AT SOME EXCHANGES.
16. WHEN LINE CIRCUIT IS ASSOCIATED WITH A P.A.X. EXCHANGE LINE CIRCUIT, GBW 15520 OR EQUIVALENT THE EARTH IS TO BE REMOVED OFF K4 (FIG. 1B).
17. ON EARLIER EQUIPT. BATT. WIRING WAS BKOR W.
18. WHEN NEC LLE IS USED PROVIDE WIRING SHOWN AND REMOVE WIRING -AND+ TO FIG. 1A OR 1J.

- NOTES: CONT'D**
13. WHEN DIRECT CONNECTION BETWEEN F/S STRIP CONN. (MULT.) AND I.D.F. IS REQUIRED, USE FIG. 1M & ADD WIRING SHOWN -3-3-3-
14. WHEN SEPARATE RECORDING OF I/C & O/G TRAFFIC IS NOT REQUIRED, INSERT JUMPER SHOWN -5-5-5- WHEN SEPARATE RECORDING OF I/C & O/G TRAFFIC IS REQUIRED, OMIT NORMAL P LINE JUMPER & INSERT JUMPERS SHOWN -5-5-5- & -6-6-6-



- NOTES:**
- FUSE 1.0A PER 25 CCTS.
 - Ø FOR WIRING SEE GBW 14810 OR EQUIV.
 - ALL WIRING TO BE 0.5mm UNLESS OTHERWISE SPECIFIED.
 - INITIAL WIRING TO INCLUDE STRAP DOWN THUS -1- ON DISCONNECT STRIP CONN.
 - WHEN CLIP ON TUBULAR TYPE CAPACITORS ARE FITTED PROVIDE FIG. 1F & CONNECTIONS SHOWN THUS -4- IN LIEU OF FIG. 1C & CONNECTIONS SHOWN THUS -3- WHEN FIG. 1P IS PROVIDED INSERT WIRING THUS -7-.
 - WHEN IN LOCAL CABLE CABLE FORM SEE RELEVANT DIAGRAMS FOR WIRE COLOURS.
 - SPRINGS LR21 & 22 NOT TO MAKE BEFORE SPRINGS LR2 & 3.
 - FOR P.B.X. BUSYING TRANSFER LINK FROM B1-B2 TO B1-P.
 - AT EXCHANGES WITH FLOOR TYPE M.D.F. USE FIGS. 1A & 1D AT EXCHANGES WITH RACK TYPE M.D.F. OR FLOOR TYPE M.D.F. FITTED WITH TEST JACKS N° 32A USE FIGS. 1J & 1H.
 - WHEN USED FOR UNI-DIRECTIONAL (TRAFFIC TO EXCH.) DELETE NORMAL -+P JUMPERS & PROVIDE JUMPERS SHOWN -1-.
 - EQUIPMENT PRIOR TO ISSUE 7 USED FIG. 1G FOR NEW WORK PROVIDE FIG. 1L.
 - WHEN 2 PARTY DISC CCT IS USED WIRING THUS -2- TO BE PROVIDED & -+P, M&MI JUMPERS REMOVED.

SUBSCRIBERS LINE CIRCUIT			
DOUBLE HOMING WITH SUBSCRIBERS DISCONNECT.			
AMENDMENT	PARTICULARS	ISSUE	DATE APPR REF:
	NEC LLE & ANI CONNECTIONS SHOWN (70495) RETRACED, WIRE SIZES METRICATED. (157783) NZPO NOTE A ADDED (8038) FIG. 1P ADDED, NOTE 5 AMD.	11B	16.3.81 29.5.78 RED 11A 11B-3-71 B.G.H.
		11	
NZPO		DRAWN [E.A.C.]	CHECKED [E.J.D.]
		WIRING [E.J.D.]	CIRCUIT [H.B.]
14790			
GBW			