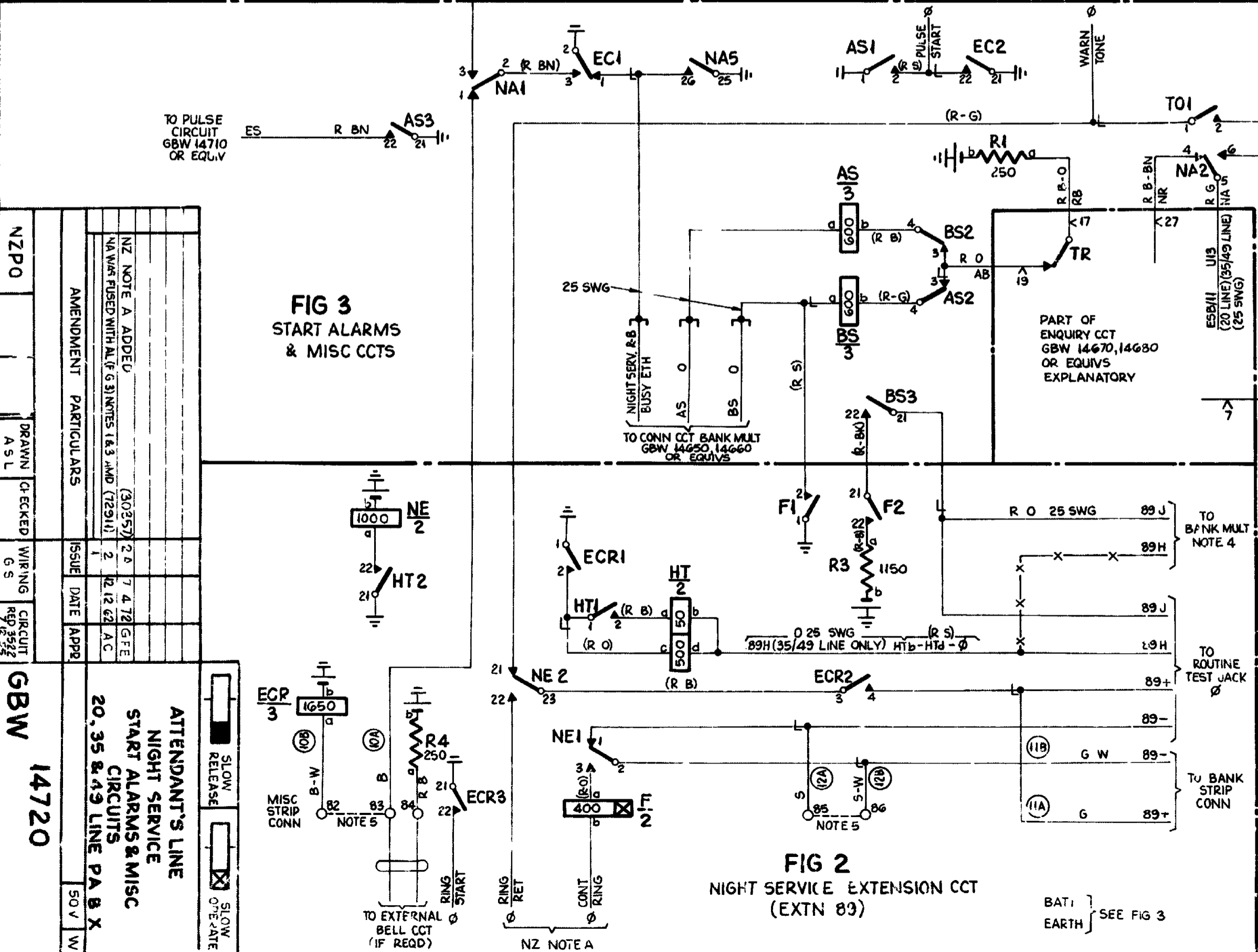
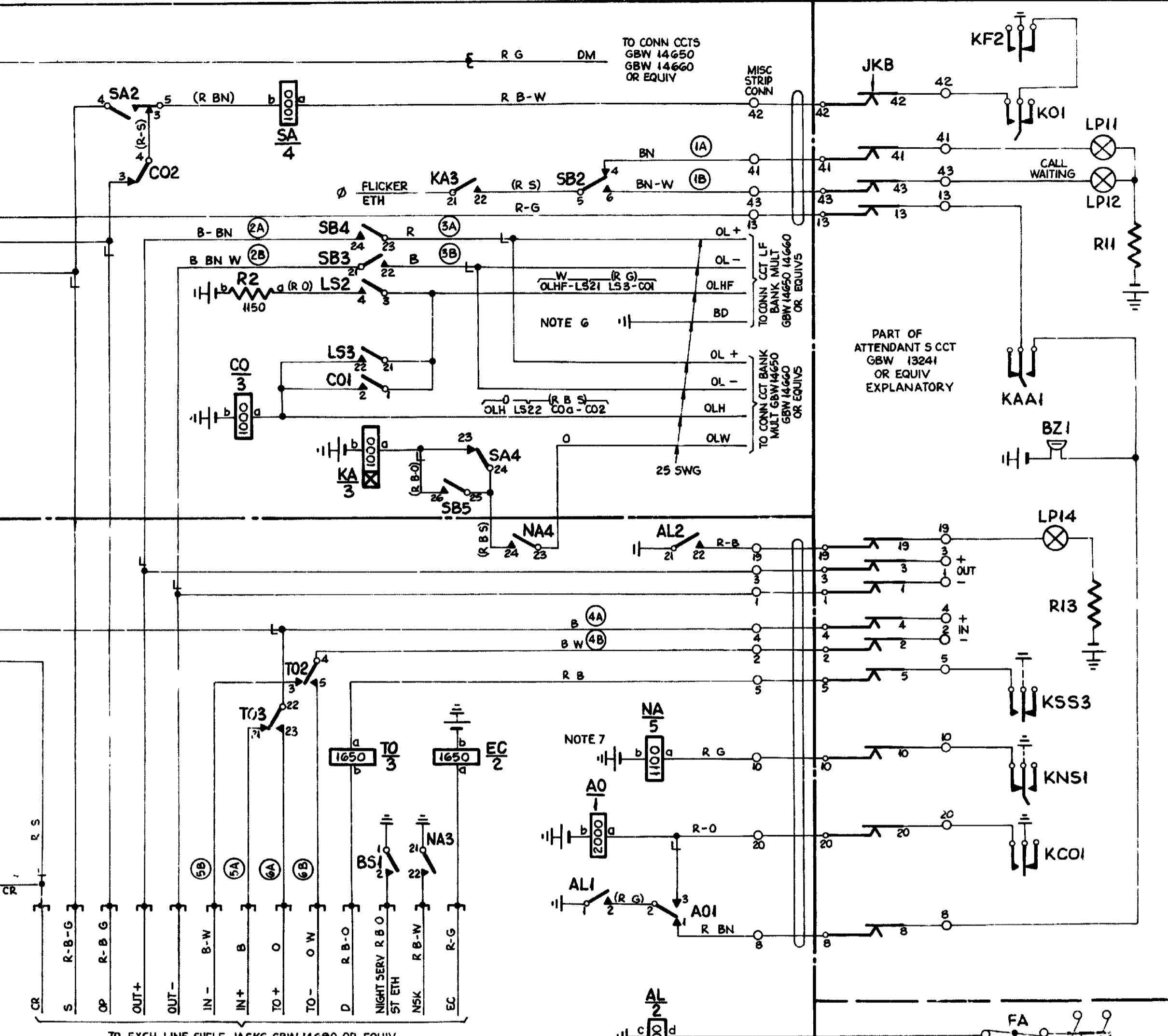


**FIG 1**  
ATTENDANT'S LINE CCTS



**FIG 2**  
NIGHT SERVICE EXTENSION CCT  
(EXTN 89)



**FIG 3**  
START ALARMS  
& MISC CCTS

**NOTES**

- 1 FUSING FIG 1-15A  
R4b OF FIG 2-15A  
FIG 2 & R1 & EC OF FIG 3 LESS R4b OF FIG 2-15A  
FIG 3 LESS R1, EC, AO & NA-15A
- 2 FOR WIRING OF LEADS MARKED Ø SEE ASSOCIATED COMMON SERVICE DIAGRAM
- 3 ALL WIRING BEARING A COLOUR CODE TO BE 25 SWG. UNLESS OTHERWISE SHOWN WHEN SWITCHPLATE WIRING IS USED, COLOURS IN BRACKETS MAY BE DISREGARDED
- 4 FOR SEQUENCE OF MULTIPLES SEE EXTENSION LINE CCT GBW 13210 OR EQUIV
- 5 WHEN NIGHT SERVICE EXTENSION IS REQUIRED, STRAP TAGS 82 & 83, WHEN DIAL 2 NIGHT SERVICE IS REQUIRED, STRAP TAGS 85 & 86 & CONNECT EXTERNAL BELL TO TAGS 83 & 84
- 6 FOR EARTH RUN SEE GBW 14650, 14660 OR EQUIV
- 7 FUSED WITH ATTENDANTS CIRCUITS GBW 13241 OR EQUIV

**NZ NOTE**

- A WHEN EXTENSION 89 IS A DISTANT EXTENSION VIA CARRIER SYSTEMS PROVIDE INT RING GBW 13500 FIG 11, OR EQUIVALENT
- BATT BK FUSE — R4b
  - BATT BK FUSE (7B) 15b COB-SBb KAB R2b
  - ETH R ETH BAR (7A) LSI SAI-KA4
  - BATT BK FUSE (8B) ECb ECRb NEb R1b R3b
  - ETH R ETH BAR (8A) ECR21 ECR F1 HT21
  - BATT BK FUSE (9B) ALb
  - ETH R ETH BAR (9A) AL21 ALc AL1 SC21 E.2 NA21 NA2b AS21 AS1 BS1

NZPO	AMENDMENT	PARTICULARS
AS L	AS L	
CL	CL	
CS	CS	
DR	DR	
ES	ES	
FS	FS	
GS	GS	
HS	HS	
IS	IS	
JS	JS	
KS	KS	
LS	LS	
MS	MS	
NS	NS	
OS	OS	
PS	PS	
QS	QS	
RS	RS	
TS	TS	
US	US	
VS	VS	
WS	WS	
XS	XS	
YS	YS	
ZS	ZS	

ATTENDANT'S LINE  
NIGHT SERVICE  
START ALARMS & MISC  
CIRCUITS  
20, 35 & 49 LINE PA B X