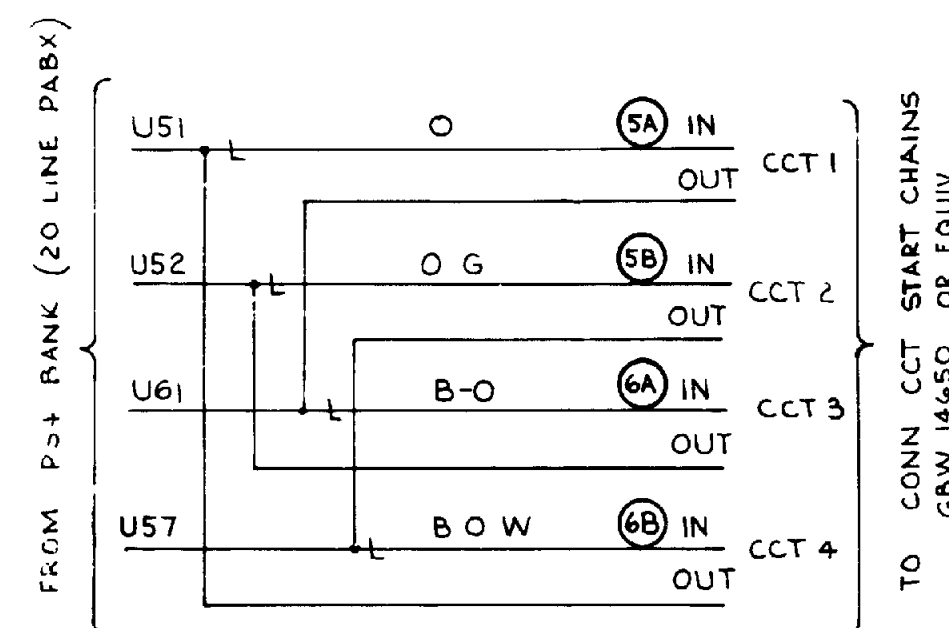
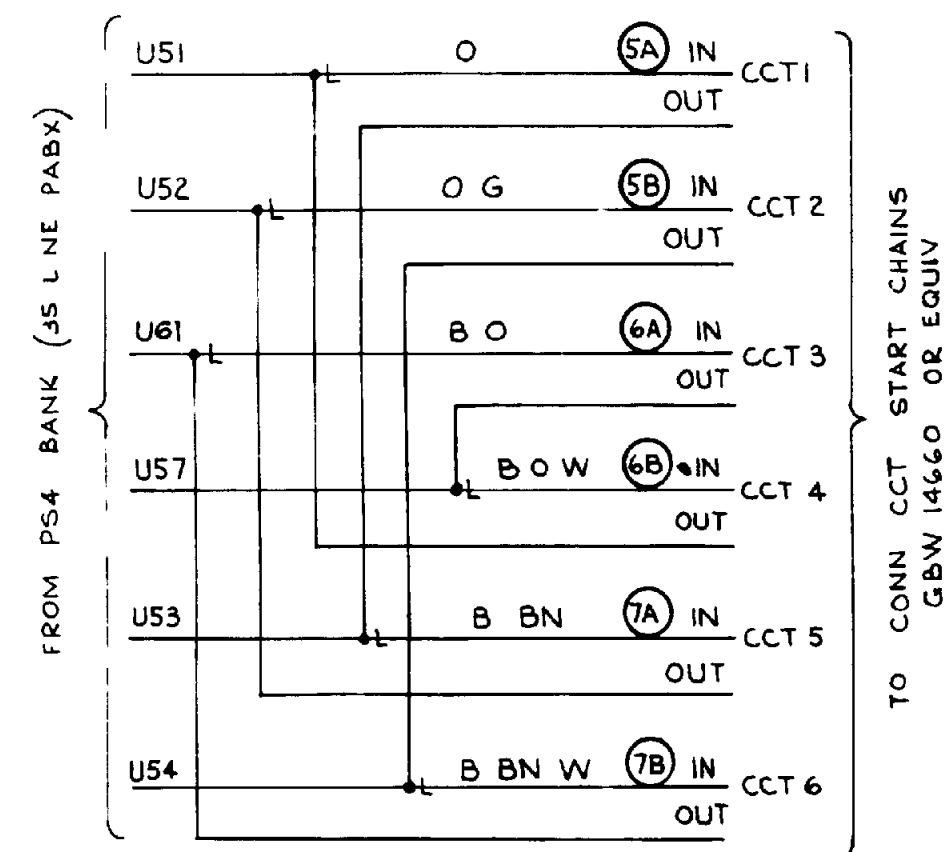


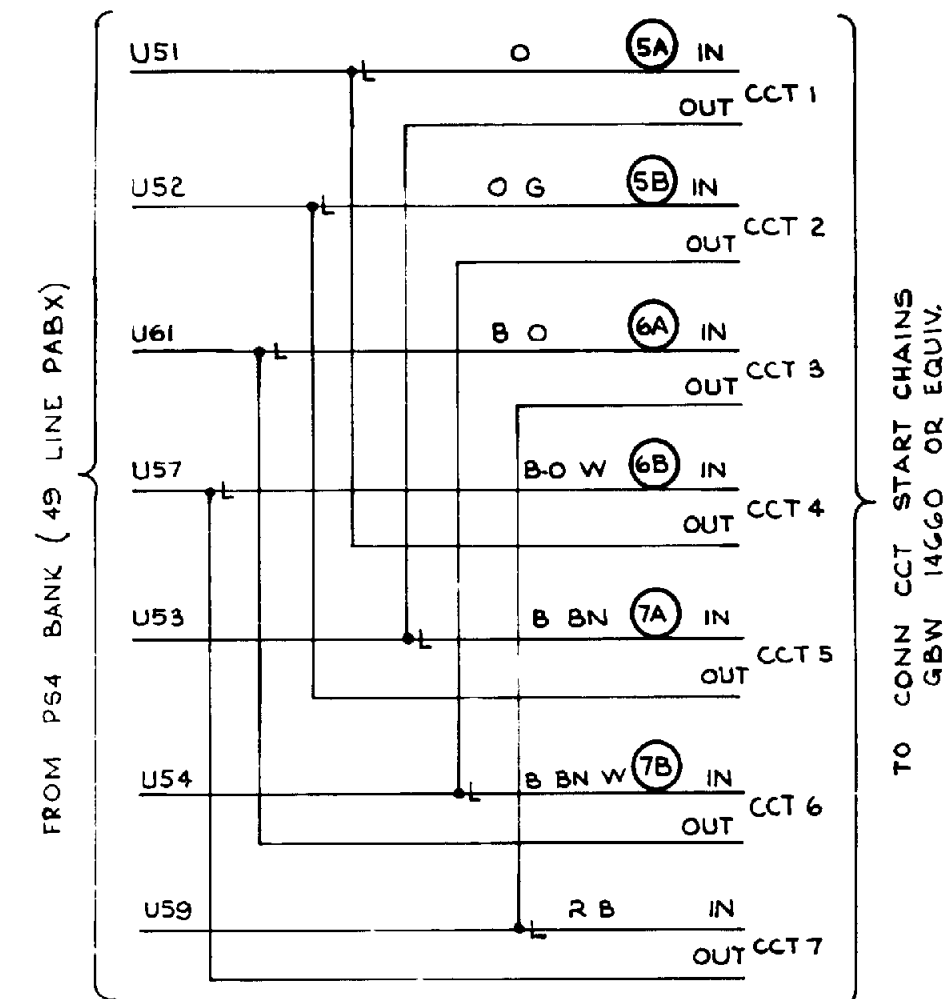
FIG 1B CONN CCT START CHAIN



STRAP U51 U53, U52 U54, U55-U57 & U59 U61

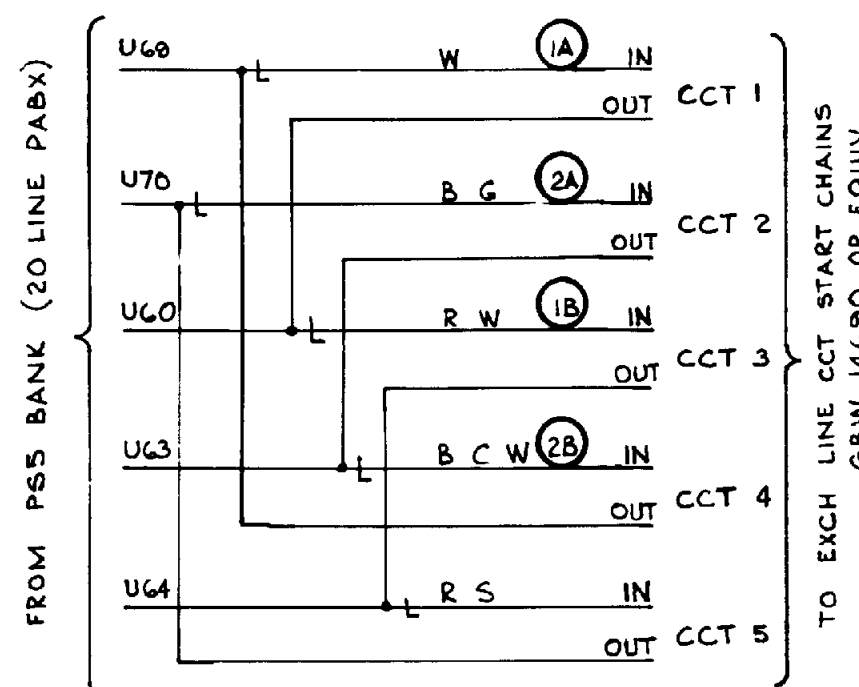


STRAP U53 55 & U57-59

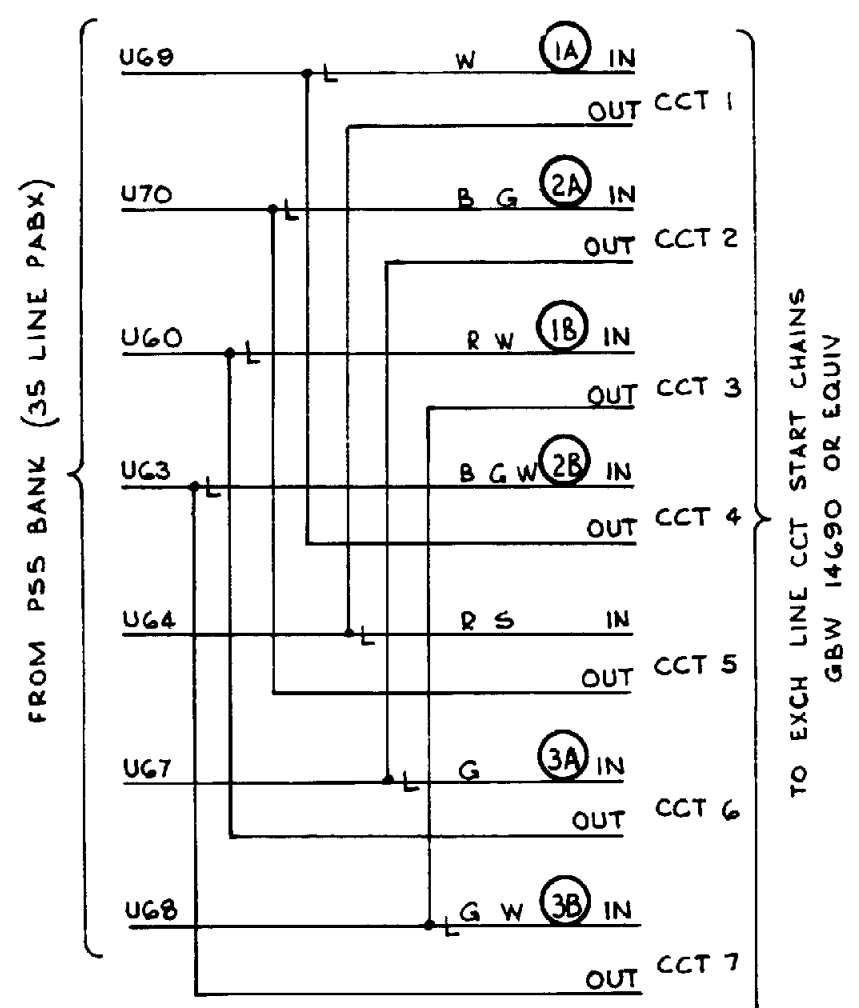


STRAP U53-55

FIG 1C EXCH LINE CCT START CHAIN



STRAP U60-U62, U63 U65 U64 U66 U67 U69 U68 70



STRAP U62 64 U65 67 & U66 68

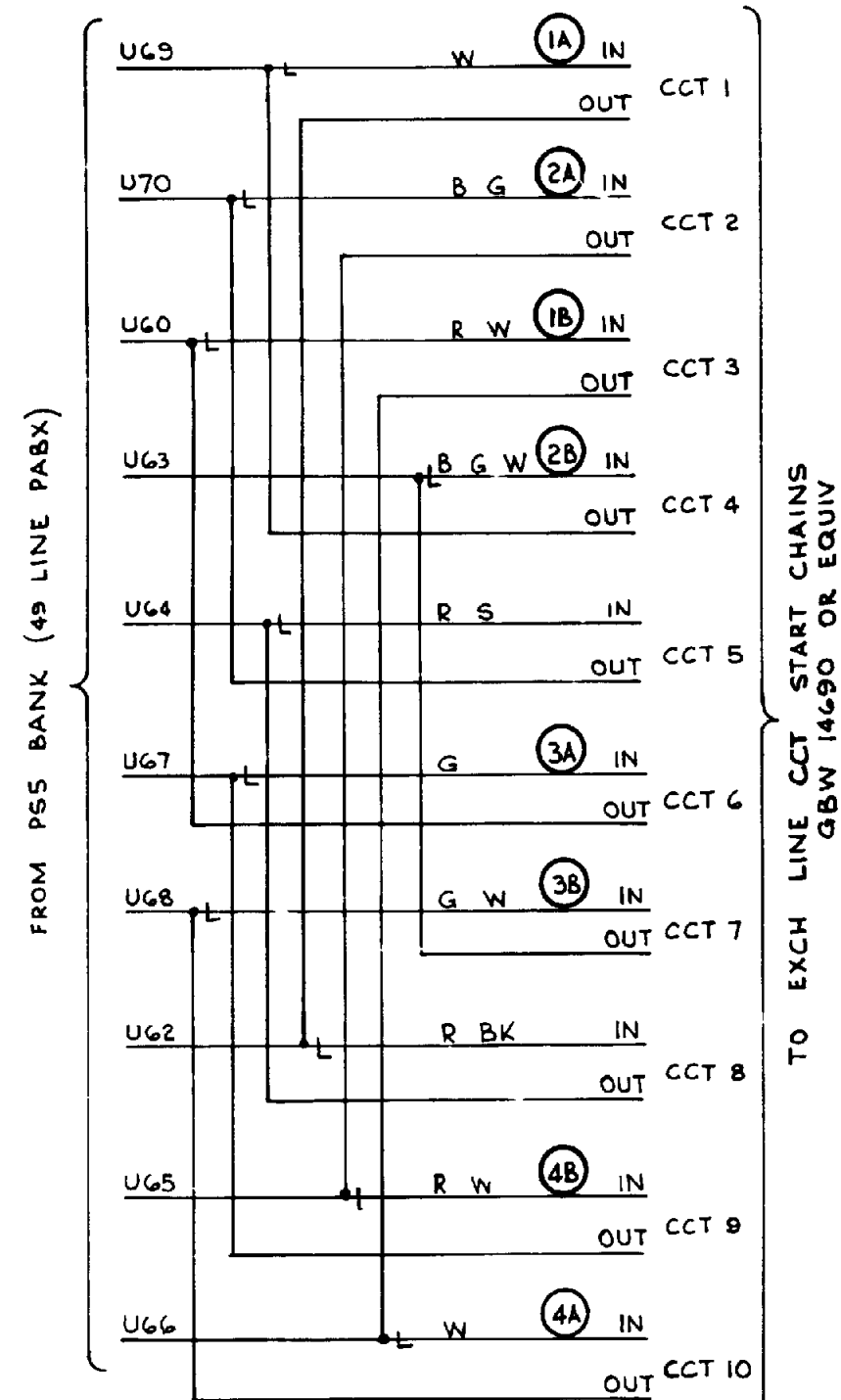
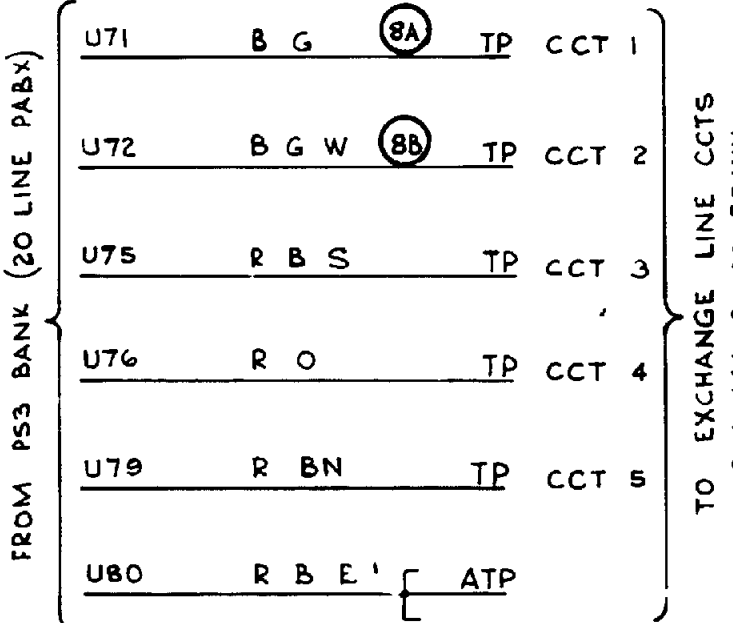
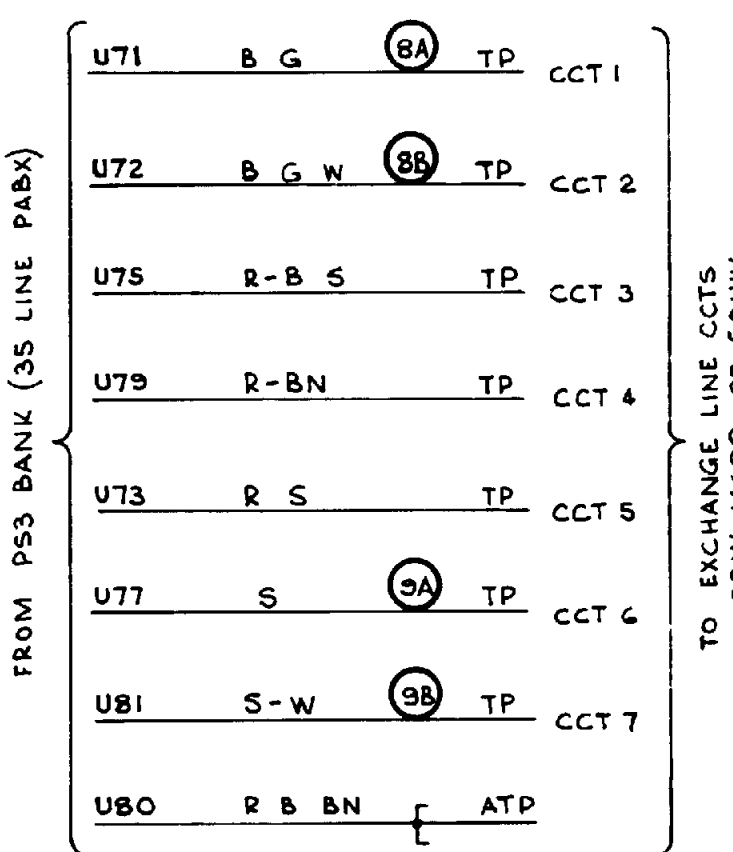


FIG 1D TEST PULSES



STRAP U71-73, U72 74, U75 77 U76 78, U79 81



STRAP U74 76 78-80

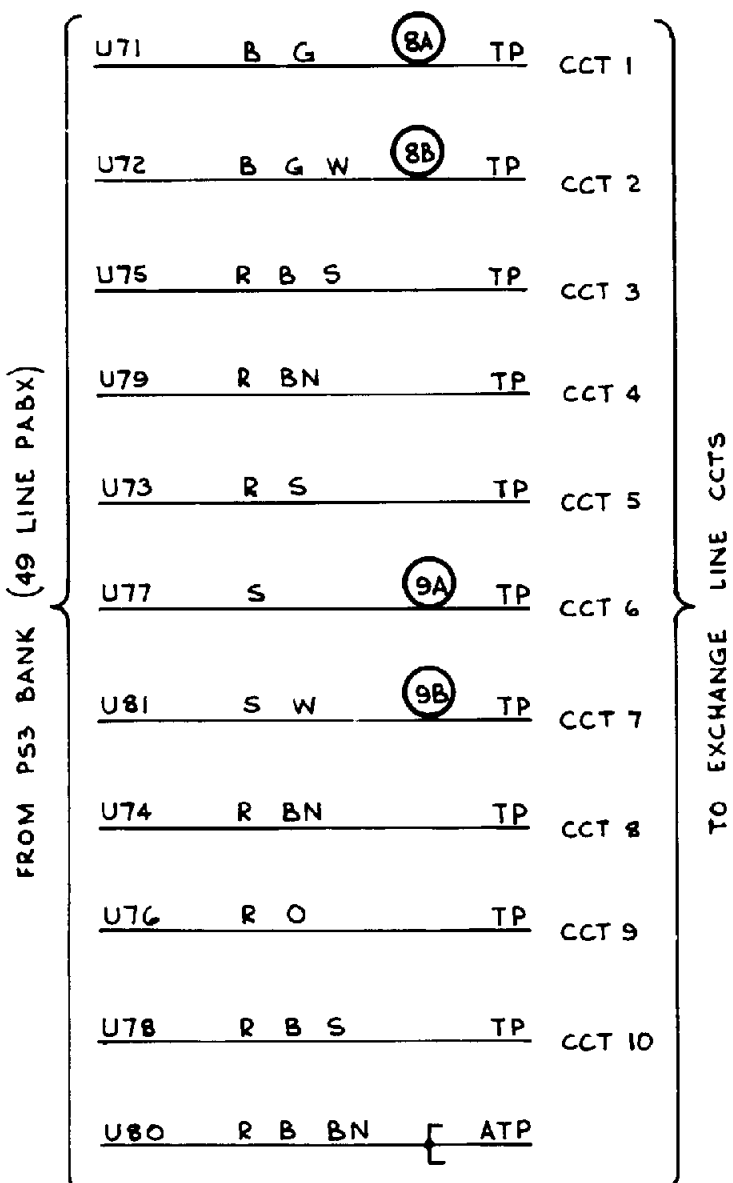
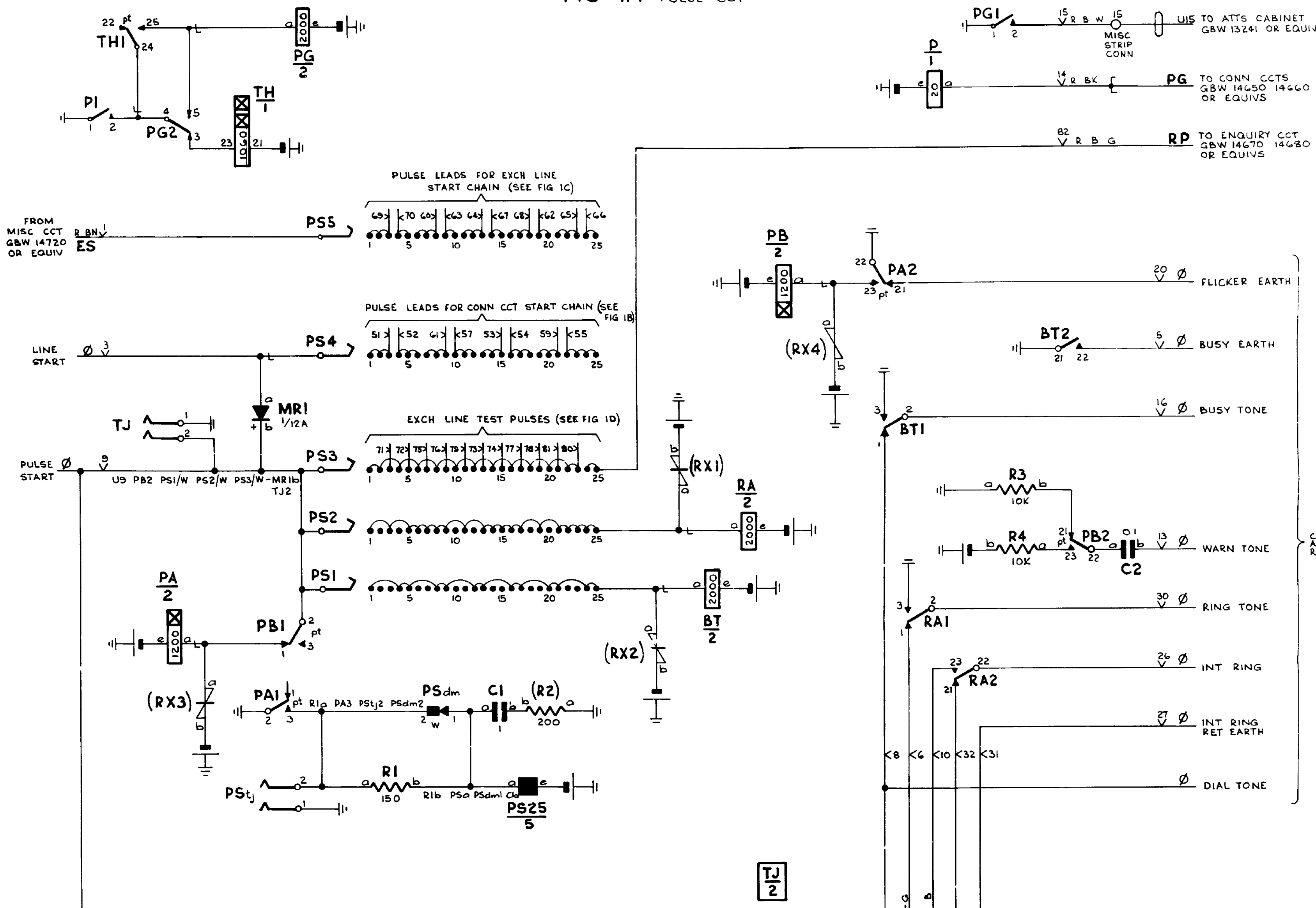


FIG 1A PULSE CCT



- 1 FUSE 15A
- 2 FOR WIRING OF LEADS MARKED Ø SEE ASSOCIATED RACK COMMON SERVICES GBW 13280 OR GBW 13300 OR EQUIVS
- 3 ALL WIRING TO BE 0.5 mm

- BATT BK FUSE U12
- BATT W U12 R4b Pe TH21 PGe
- PAe RX3b RX4b P5e BTe RX2b RAE RX1b
- EARTH R ETH BAR U11
- EARTH R U11 R5a PI PGI PA22 PA2 PStj1 BT21 BT3 RA3 R2a TJ1

EXPLANATORY ONLY RING & TONES CCT GBW 14700 OR EQUIV

SUPSEDES GBW 14710

RETRACTED FROM ISSUE 1 (157619)				IA	27379	WJW
AMENDMENT PARTICULARS				ISS	DATE	APP
PULSE CIRCUIT 20 35 & 49 LINE PABX				SIZE A1 50V W		
GBW 14711				NZ PO		
DRN	CHK	WRG	CCT			