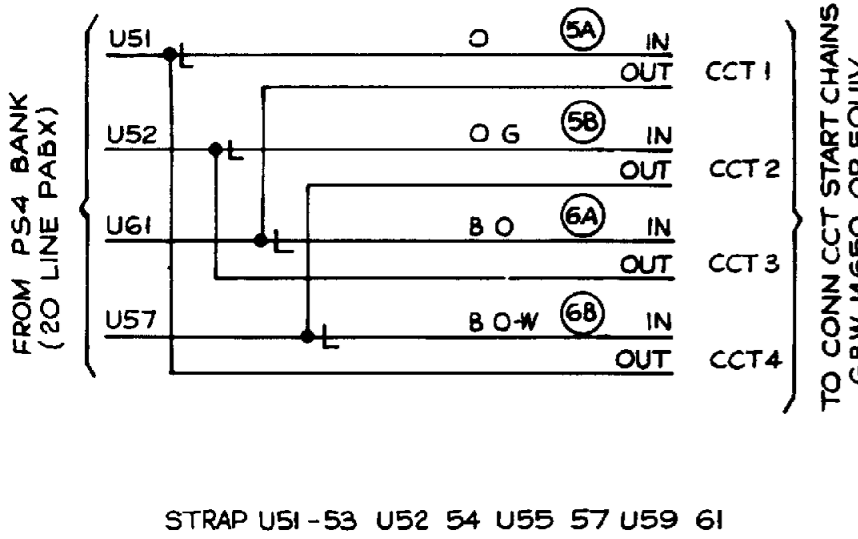
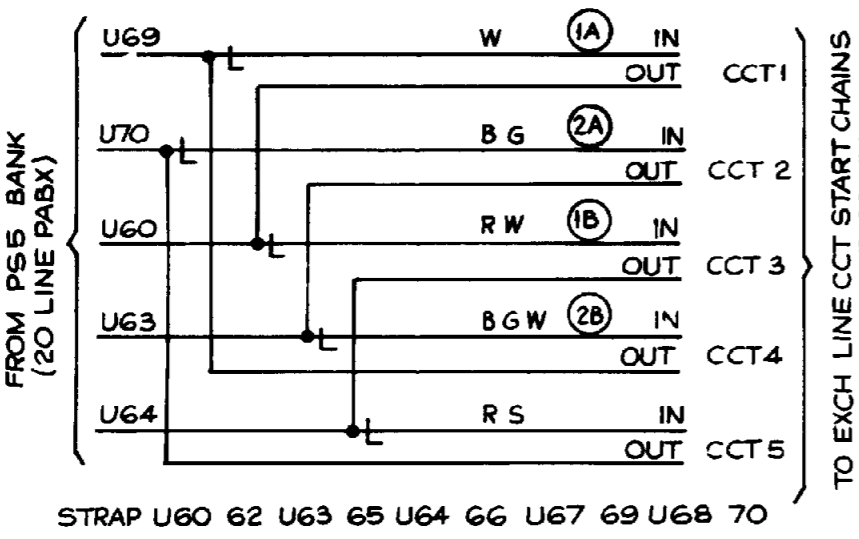


FIG 1B CONN CCT START CHAIN



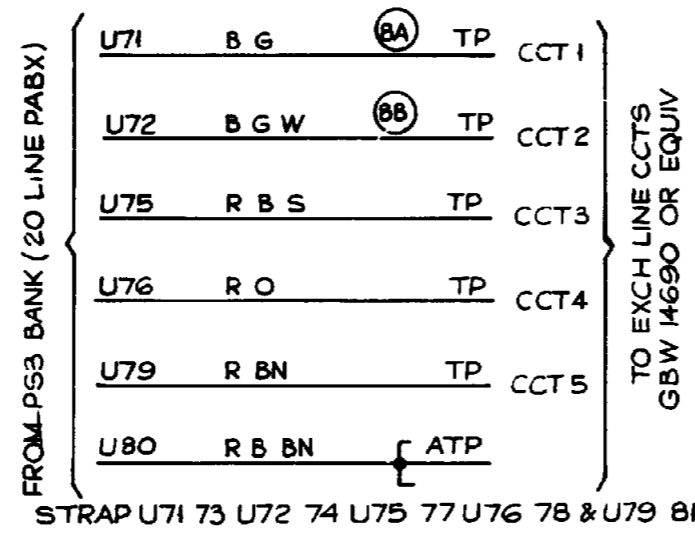
STRAP U51-53 U52 54 U55 57 U59 61

FIG 1C EXCH LINE CCT START CHAIN

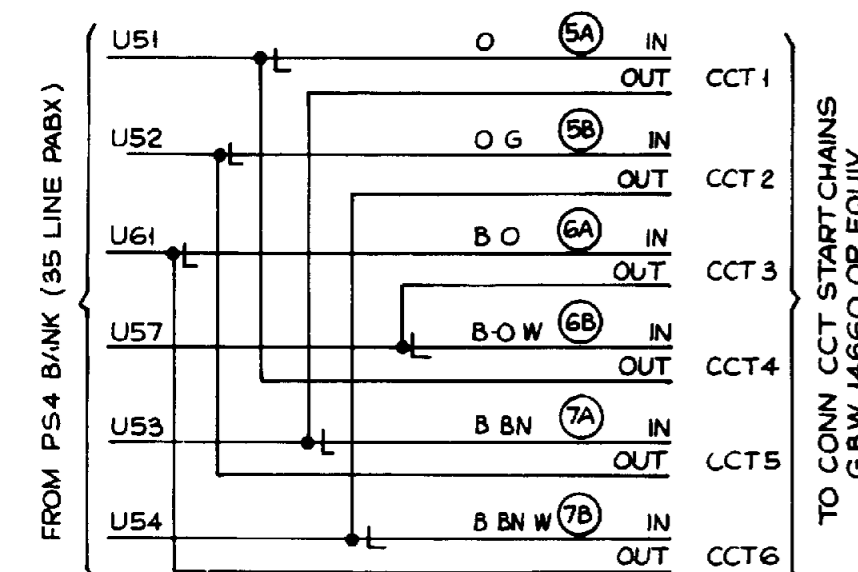


STRAP U60 62 U63 65 U64 66 U67 69 U68 70

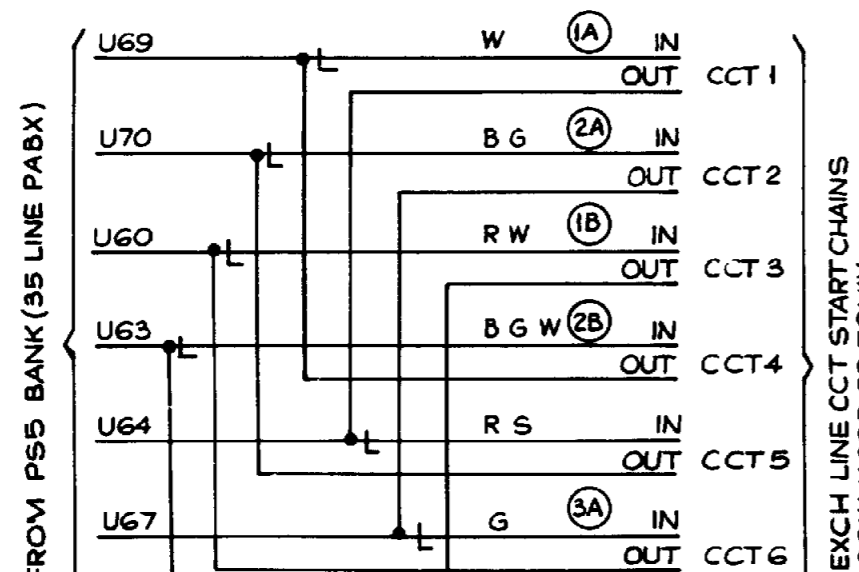
FIG 1D TEST PULSES



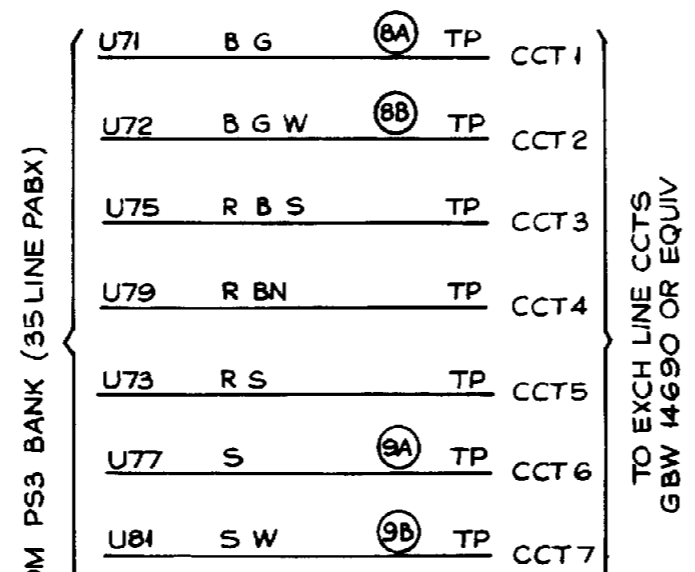
STRAP U71 73 U72 74 U75 77 U76 78 & U79 81



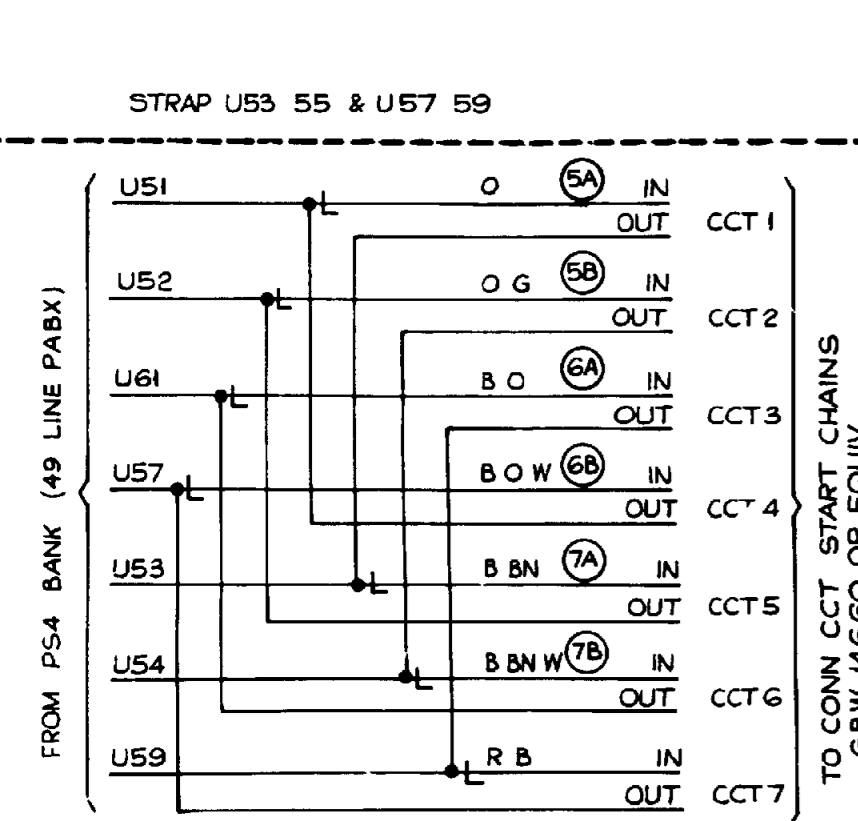
STRAP U53 55 & U57 59



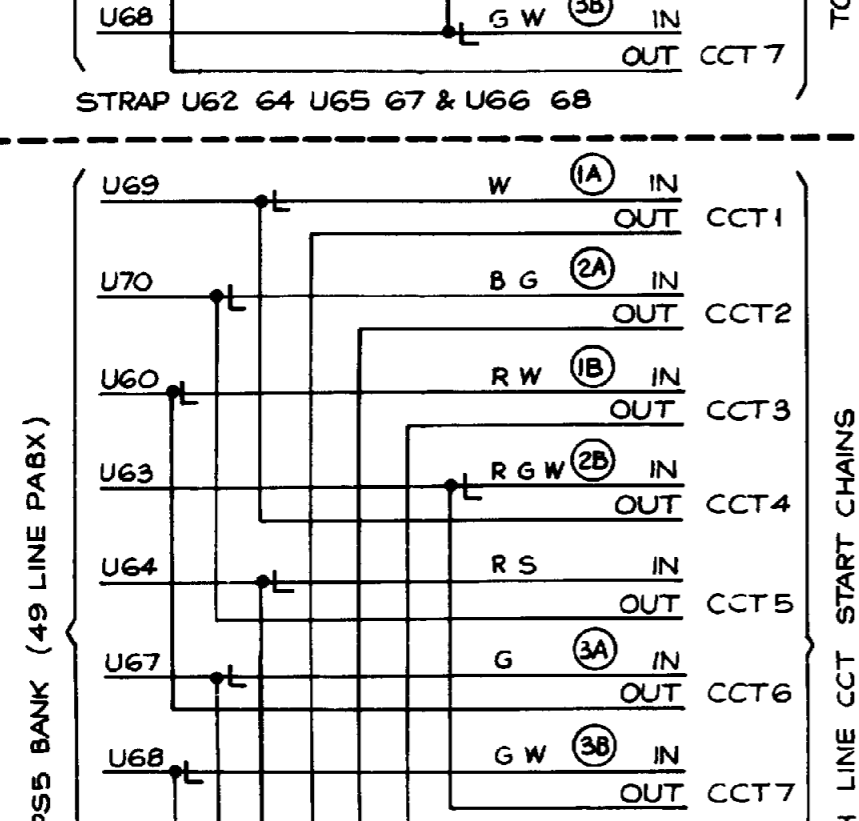
STRAP U62 64 U65 67 & U66 68



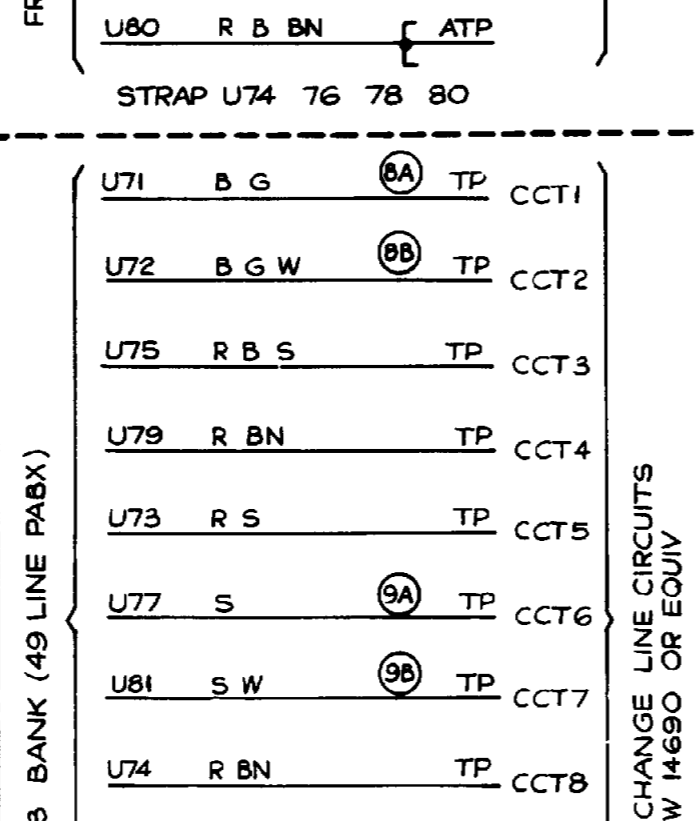
STRAP U74 76 78 80



STRAP U53 55

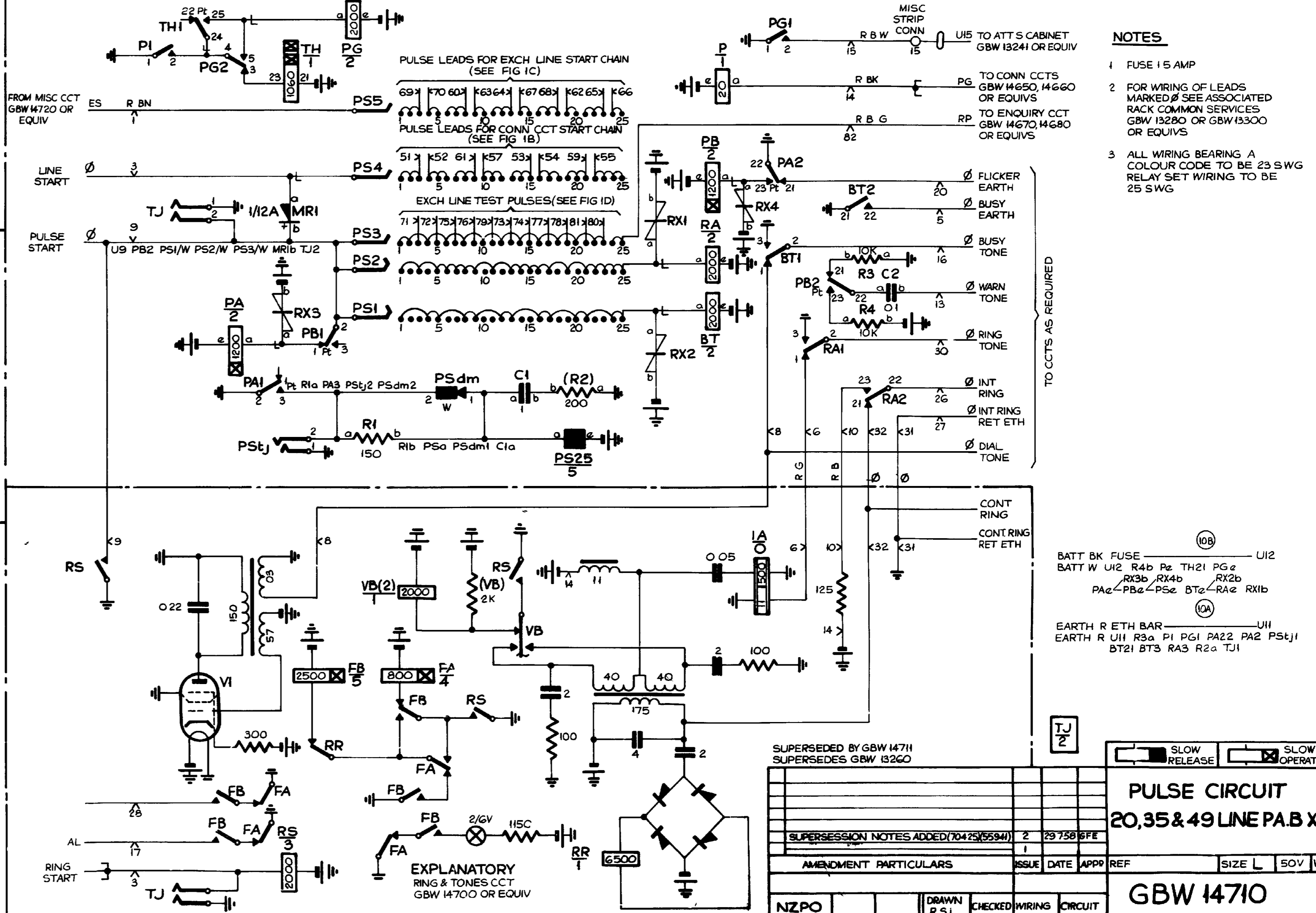


STRAP U53 55



STRAP U74 76 78 80

FIG 1A PULSE CCT



- NOTES**
- FUSE 1.5 AMP
 - FOR WIRING OF LEADS MARKED Ø SEE ASSOCIATED RACK COMMON SERVICES GBW 13280 OR GBW 13300 OR EQUIVS
 - ALL WIRING BEARING A COLOUR CODE TO BE 23 SWG RELAY SET WIRING TO BE 25 SWG

BATT BK FUSE (10B) U12
 BATT W U12 R4b Pz TH21 PGz
 RX3b RX4b RX2b
 PAz PBz Pz BTz RAz RX1b

EARTH R ETH BAR (10A) U11
 EARTH R U11 R3a P1 PG1 PA22 PA2 Pstj1
 BT21 BT3 RA3 R2a TJ1

SUPERSEDED BY GBW 14711
 SUPERSEDES GBW 13260

SLOW RELEASE		SLOW OPERATE	
PULSE CIRCUIT			
20, 35 & 49 LINE PAB X			
SUPERSESION NOTES ADDED (70425/55941)		2	29 758 6FE
AMENDMENT PARTICULARS		ISSUE	DATE APPR REF
NZPO	DRAWN R S L	CHECKED WIRING	CIRCUIT
GBW 14710		SIZE L	SOV W