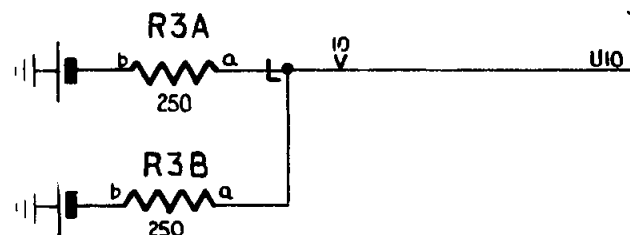
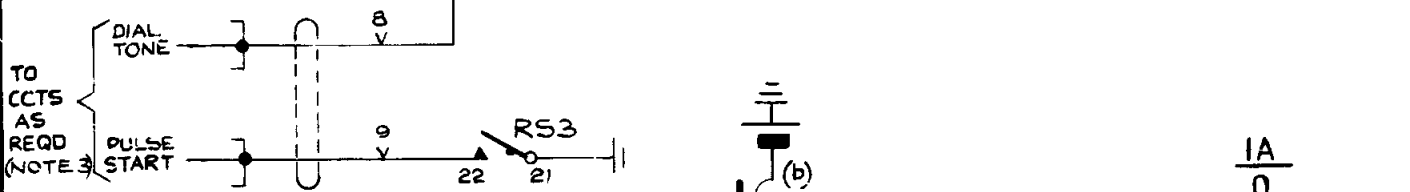


NZ NOTES

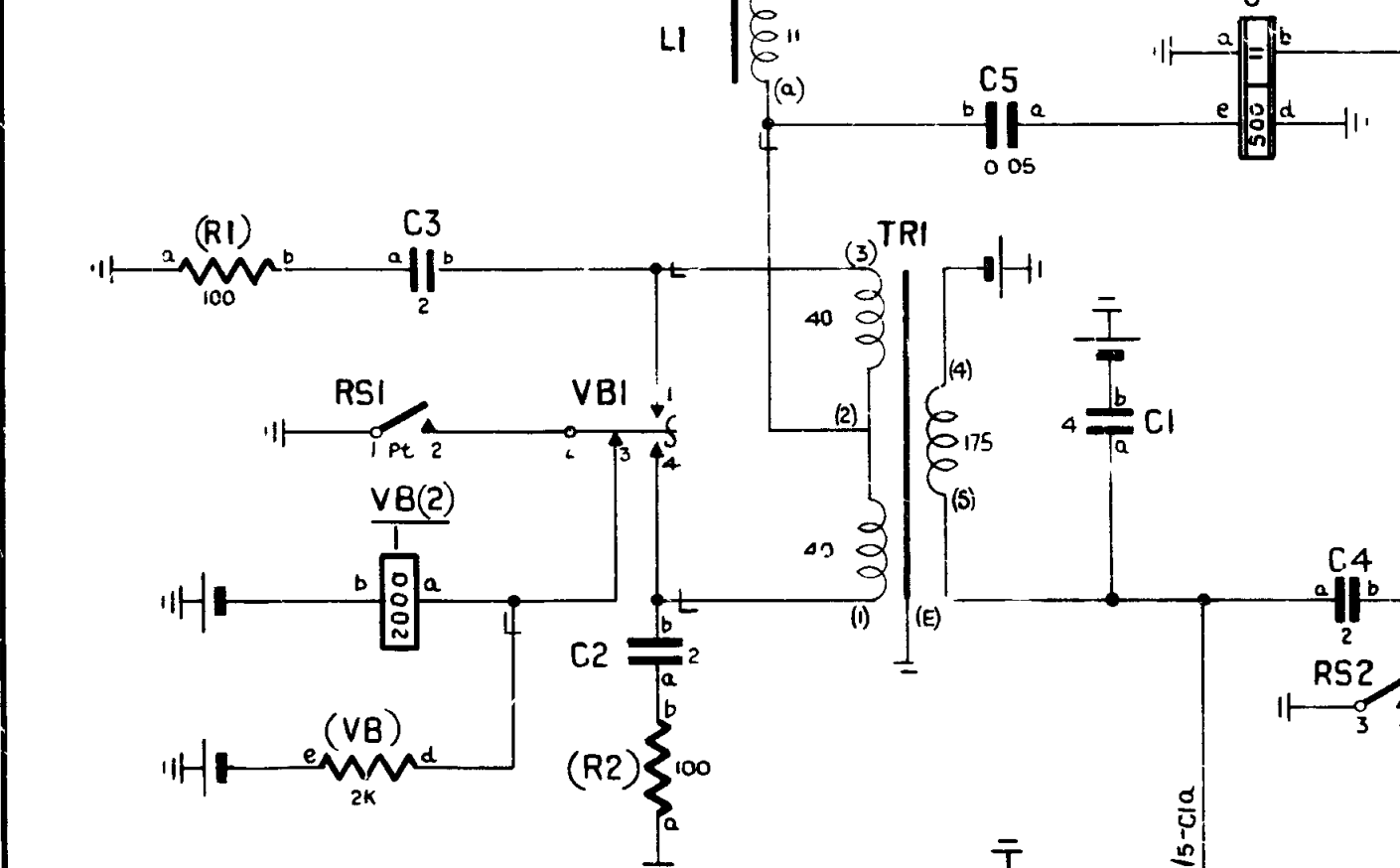
A GBW 16761 MAY BE USED AS AN ALTERNATIVE, SEE GBW 14700

NOTES

- 1 FUSING - RINGING BATTERY 1 5A (U14)
RINGING & TONES CCT 1 5A (U1?)
- 2 SWITCHPLATE WIRING TO BE 25 SWG
OTHER WIRING TO BE -
23 SWG ON 20 35 OR 49 LINE P A B X 6
20 SWG ON 50/1200 LINE P A B X 6
- 3 FOR ROUTING OF THESE LEADS ON
20,35 OR 49 LINE P A B X 3 SEE
RELEVANT COMMON SERVICES DIAGRAM
- 4 ON SOME TR2 TRANSFORMERS THE CONNECTION
BETWEEN (C) AND 150 OHM WINDING IS INTERNAL
THIS -x-x- ON OTHERS THE LEAD FROM
150 OHM WINDING IS CONNECTED TO TERMINAL 4
EXTERNALLY THIS -o-o-



FROM PULSE CIRCUIT CBW 14140 OR GBW 14710 OR EQUIVS



RINGING BATT BK FUSE-U14

RING & TONES BATT BK FUSE (U12)

EARTH R ETH BAR (U1)

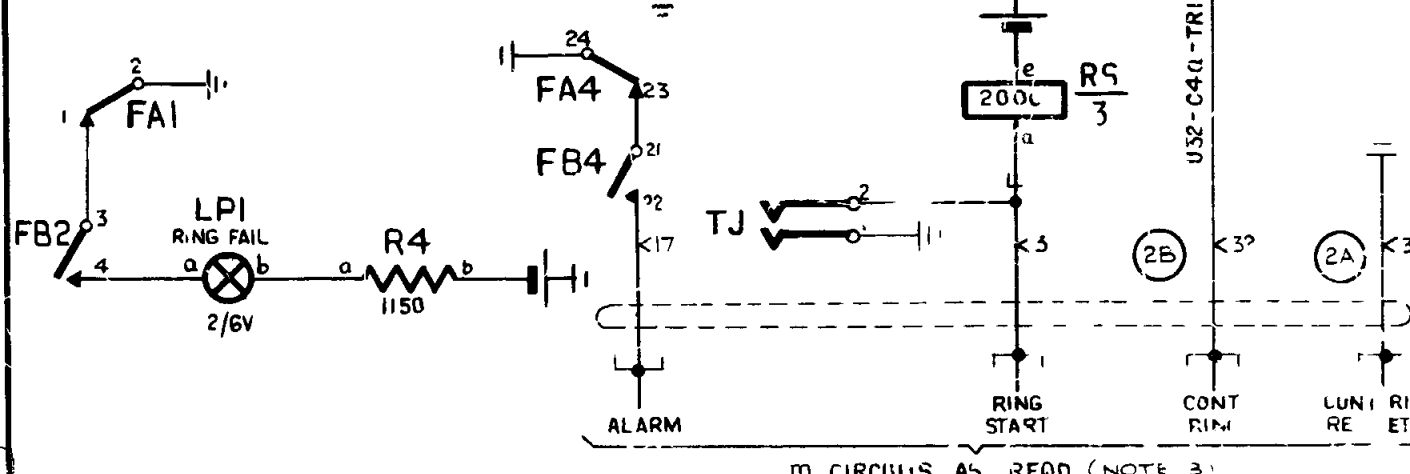
BATT W U12-V1/4 R4b-TR2/6-TR2/7-FAE-FB2-RS2-U12

BATT W U14-R3Ab-P3Bb-MR1b-VBb-VBE-L1/0-TRI/4-C1b-U14

EARTH R U11-V1/6-TR2/1-TR2/3-TR2/7-FA22-FA24-FA2-FB1-RS21-RS1-RS3-IAa-Id-TRI/E-R2a-RIa-TJ1-U3'-U11



VALVE HOLDER REAR VIEW



SUPERSEDED BY GBW 16761

SUPERSESSON NOTE AMD NZ NOTE A ADDED (8423)	5A	21 471	G F E
SUPERSESSON NOTE ADDED (68494)	5	2 10 65	Q C
NOTE 4 ADDED	4		
NOTES & EXTERNAL ROUTING AMENDED	3		
EARTH & BATTERY ROUTING AMENDED	2		
	1		
AMENDMENT PARTICULARS	ISSUE	DATE	APP
NZPO			



PABX RINGING AND TONES CIRCUIT

GBW 14700

TO CIRCUITS AS REQD (NOTE 3)