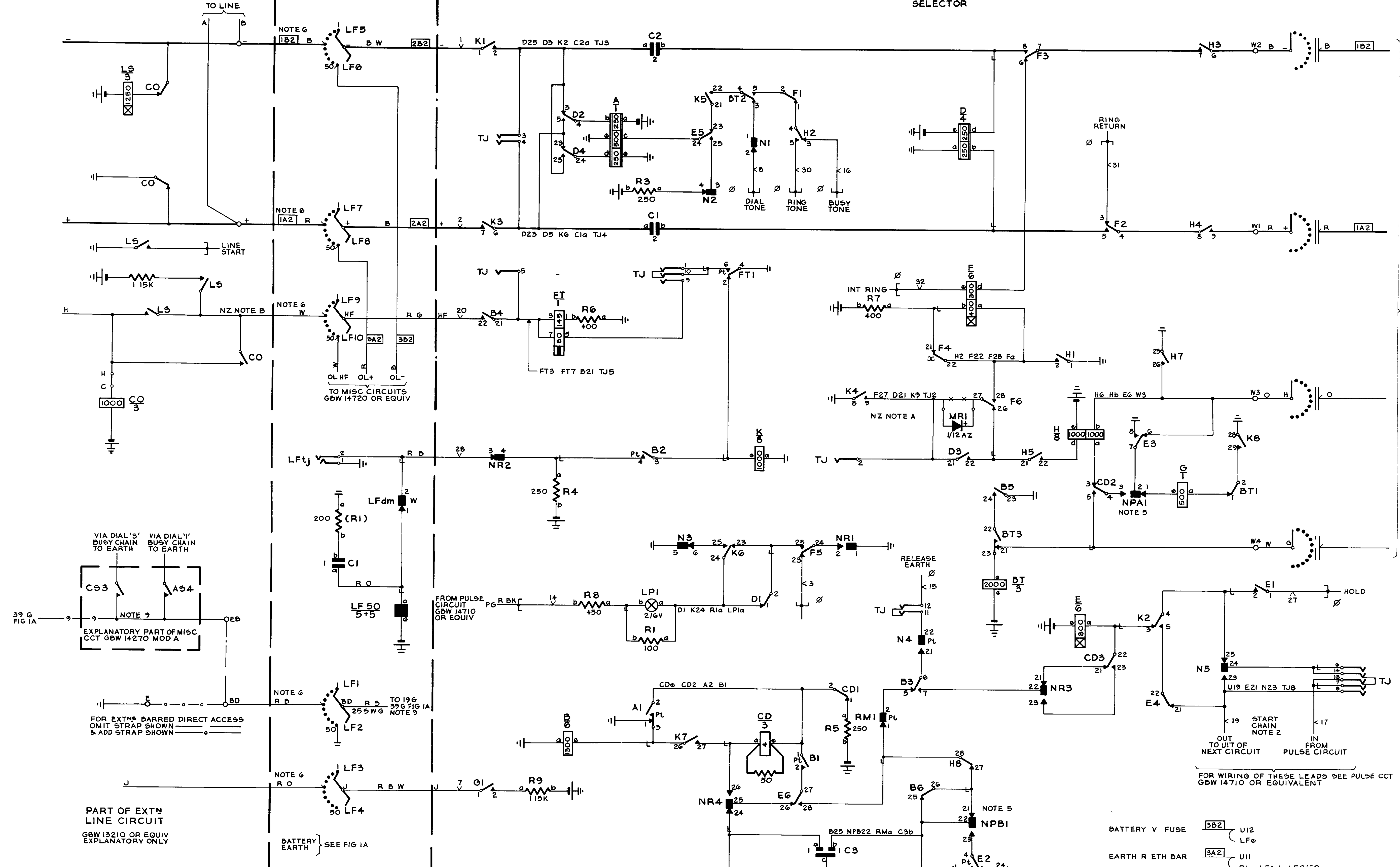


**FIG 1B**  
LINE FINDER CIRCUIT

**FIG 1A**  
SELECTOR



FOR SEQUENCE OF MULTIPLES & WIRING OF OUTLETS SEE EXTENSION LINE CIRCUIT GBW 13210 OR EQUIV AND NOTE 8

- NOTES**
- 1 FUSING 1.5A PER CIRCUIT
  - 2 JACK POINTS U9 & U11 AND U17 & U19 MAKE CONTACT WHEN RELAY SET IS REMOVED
  - 3 Ø FOR WIRING SEE GBW 13300 OR EQUIVALENT
  - 4 ALL WIRING BEARING A COLOUR CODE TO BE 23 SWG UNLESS OTHERWISE SPECIFIED BANK & SELECTOR WIRING TO BE 25 SWG
  - 5 NPA SPRINGS MAKE ON NZ LEVELS 8 7 6 5 & 0 } 35 LINE  
NPB SPRINGS MAKE ON NZ LEVELS 9 4 3 2 1 & 0 } 196  
NPA SPRINGS MAKE ON NZ LEVELS 8 7 6 5 4 & 0 } 49 LINE  
NPB SPRINGS MAKE ON NZ LEVELS 9 3 2 1 & 0 } 49 LINE
  - 6 FOR SEQUENCE OF MULTIPLES & WIRING OF OUTLETS SEE EXTENSION LINE CIRCUIT GBW 13210 OR EQUIVALENT
  - 7 LEVEL & CONTACT NUMBERS SHOWN ARE IN ACCORDANCE WITH REVERSE NUMBERED NZ DIAL BPO NUMBERING CORRESPONDING TO NZ NUMBERS 0123456789 15 09 & 7654321 RESPECTIVELY

- 8 MISCELLANEOUS CONNECTIONS FROM BANKS**
- |             |       |  |   |
|-------------|-------|--|---|
| CONTACT 19H | Ø     | A5 EXCH LINE DIAL '1' START                    | FROM MISC CIRCUIT<br>GBW 14720 OR EQUIV |
| CONTACT 29H | Ø     | B5 NIGHT SERVICE START                         |   |
| CONTACT 39H | Ø     | C5 EXCH LINE DIAL '3' START                    |   |
| CONTACT 39G | R S   | FROM LF 1/W FIG 1B NOTE 9                      |   |
| CONTACT 29G | R B   | NIGHT SERVICE BUSY EARTH                       | FROM MISC CIRCUIT<br>GBW 14720 OR EQUIV |
| CONTACT 08H | Ø     | OL H   |   |
| CONTACT 08+ | R BA2 | OL +   |   |
| CONTACT 08- | B 2B2 | OL -   |   |
| CONTACT 09H | Ø     | OL W FROM ATTS LINE CCTS                       |   |
| CONTACT 09G | Ø     |  |   |
| CONTACT 49G | Ø     | 35 LINE PB X ONLY                              |   |
| CONTACT 39G | Ø R S | FROM C5 22 (SPRING SET C53)<br>GBW 14720 MOD A |   |
- 9 WHEN ACCESS TO DIAL '3' ROUTE BY BARRED EXTENSIONS IS REQUIRED PROVIDE CONNECTIONS SHOWN — Ø — OMIT STRAPS 19G 39G TOGETHER WITH STRAP BETWEEN SPRINGS A54 AND C53 (GBW 14720 MOD A)**

- NZ NOTES**
- A WHEN ACCESS TO VHF SERVICE VIA AN EXTN LINE CIRCUIT IS REQUIRED MODIFY CONNECTING CCTS FOR CALLING PARTY RELEASE BY REMOVING WIRING SHOWN — X — & INSERTING RECT MRI & WIRING SHOWN
- B ON SOME 35 LINE SYSTEMS THE HF MULT WIRING IS BROWN INSTEAD OF WHITE

- BATTERY V FUSE 1B2 U12  
EARTH R ETH BAR 3A2 U11  
EARTH R ETH BAR R1a LFTJ1-LF2/50  
1ST G BANK OUTLET 09 MULT TO ALL BANKS  
1ST G BANK OUTLET 49 MULT TO ALL BANKS (35 LINE PABX ONLY)  
1ST G BANK OUTLET 99 MULT TO ALL BANKS
- BATTERY V U12 H6 D6 R3b R4b R5b Aa Ea Ee BT6 VM6 RM6 R7b R9b  
EARTH R U11 H25 H1 FT4 Da Ae A1 B23 Ba K28 Ka K8 E5 E8 NRI N5 R6a R2a

35/49 LINE PABX CONNECTING CIRCUIT HAVING 'OUT' SERVICE ON TWO ROUTES (DIAL 1 & 3) WITH SUPERVISION	
PREPARED FROM GBW 14660 MOD A 195F (122818)	A 12 3 74 OFE
AMENDMENT PARTICULARS	ISSUE DATE APD
N 5	NR 4
NPA 1	NPB 1
TJ 14	
NZ PO	
DRAWN A S L	CHECKED R F H
WIRING R F H	CIRCUIT
GBW 14660 MOD B	