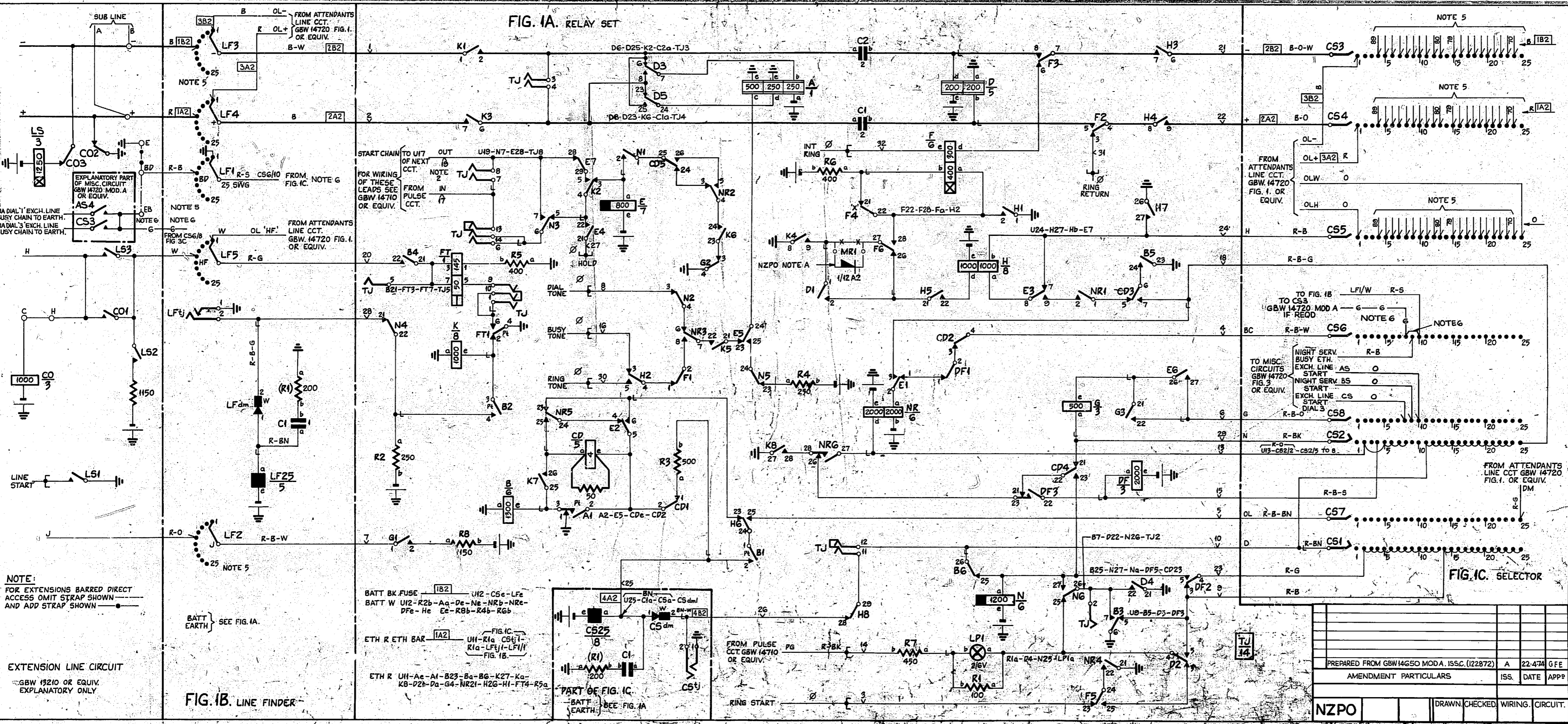


FIG. 1A. RELAY SET



EXPLANATORY PART OF MISC. CIRCUIT GBW 14720 MOD. A OR EQUIV. AS4

NOTE: FOR EXTENSIONS BARRED DIRECT ACCESS OMIT STRAP SHOWN AND ADD STRAP SHOWN

EXTENSION LINE CIRCUIT GBW 13210 OR EQUIV. EXPLANATORY ONLY

FIG. 1B. LINE FINDER

FIG. 1C. SELECTOR

- NOTES:
1. FUSE 1.5A PER CCT.
 2. JACK POINTS U9 & 11 & U17 & 19 MAKE CONTACT WHEN RELAY SET IS REMOVED.
 3. Ø FOR WIRING SEE GBW 13280 OR EQUIV.
 4. ALL WIRING NOT OTHERWISE SPECIFIED TO BE 0.6mm. UNISELECTOR BANK WIRING AND RELAY SET WIRING TO BE 0.5mm UNISELECTOR BANK STRAPPING TO BE 0.6mm. BTC. ON ADJACENT CONTACTS OR 0.6mm. BTC. AND SLEEVING ON NON ADJACENT CONTACTS WHEN NOT INCLUDED IN THE RACK CABLE.
 5. FOR SEQUENCE OF MULTIPLES AND WIRING OF OUTLETS SEE EXTENSION LINE CCT. GBW. 13210 OR EQUIV.
 6. WHEN ACCESS TO DIAL 3 ROUTE BY BARRED EXTENSIONS IS REQUIRED, PROVIDE CONNS. SHOWN - G - G - OMIT STRAP BETWEEN CS3 & AS4 MISC. SERVICES GBW 14720 MOD. A OR EQUIV. AND ALSO BETWEEN TERMS 8 & 10 OF CSG BANK.

NZPO NOTE:
A. WHEN ACCESS TO V.H.F. SERVICE VIA AN EXTENSION LINE CCT. IS REQUIRED, (REF. N.Z. DRG. 20655) MODIFY CONNECTING CCTS. FOR CALLING PARTY RELEASE BY REMOVING WIRING SHOWN - X - X - & INSERTING RECTIFIER MRI & WIRING SHOWN - O - O -

20 LINE PABX CONNECTING CIRCUIT HAVING 'OUT' SERVICE ON TWO ROUTES (DIAL 1 & 3)

PREPARED FROM GBW 14650 MOD. A. ISSC. (122872)	A	22-474	GFE
AMENDMENT PARTICULARS	ISS.	DATE	APPD
NZPO		DRAWN	CHECKED
		WIRING	CIRCUIT
GBW 14650 MOD. B.			SIZE L 50V W