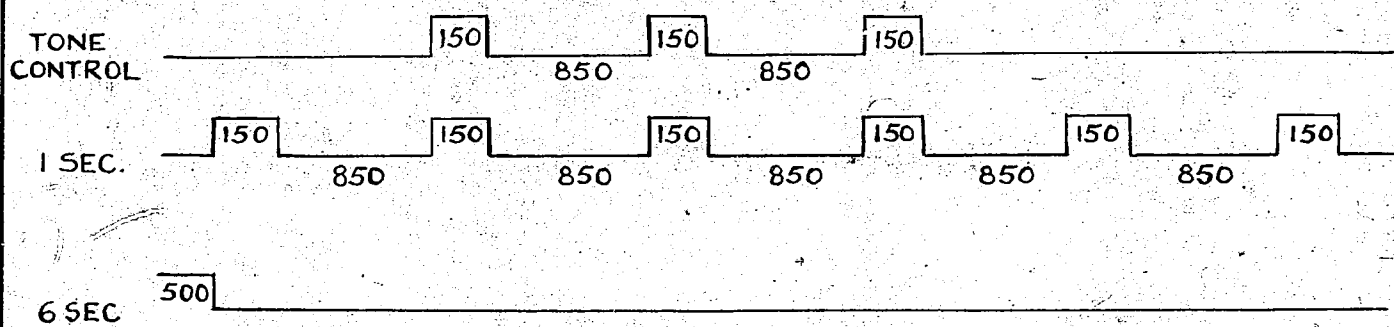
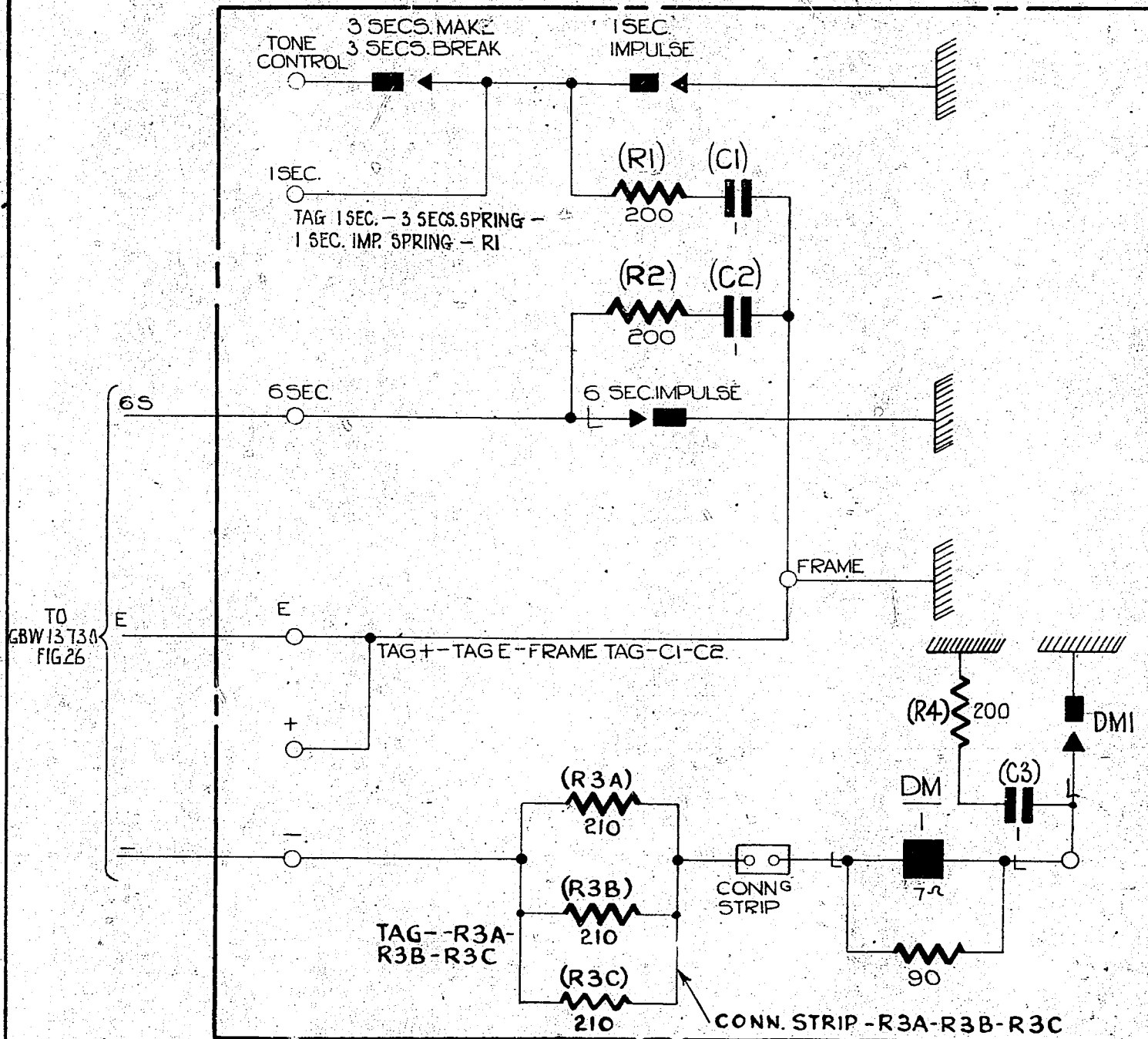


FIG. 1.



NOTES.
 1. FIGURES SHOWN 150 IN TIMING CHART DENOTE PULSE DURATION IN MILLISECONDS FROM MASTER CLOCK & IMPULSE MOVEMENT.

REPLACEMENT TCG INCORP. (83758)	6	29-11-74	BSH
R4 & C3 ADDED.	6	17-9-63	Jhm
TIMING CHART ADDED & TITLE AMENDED.	5	30-1-63	Jhm
TC LEAD DELETED.	4	27-8-62	Jhm
R3 AMENDED FROM 2-140Ω	3	2-2-62	Jhm
REDRAWN WIRING AMENDED. FIG. 1A & NOTE 1 DELETED	2	5-3-57	Jhm

U.A.X.N.Z. N° 13
 TIME PULSE
 CONTROL CLOCK
 USING CLOCK N° 46.

AMENDMENT PARTICULARS		ISSUE	DATE	APPD.	SIZE: F	50V	C
NZPO	<i>head</i> 5-3-57	<i>Jhm</i>	<i>Jhm</i>	<i>Jhm</i>	GBW. 14640		

0
5 Centimetres
10
15
20
25
30