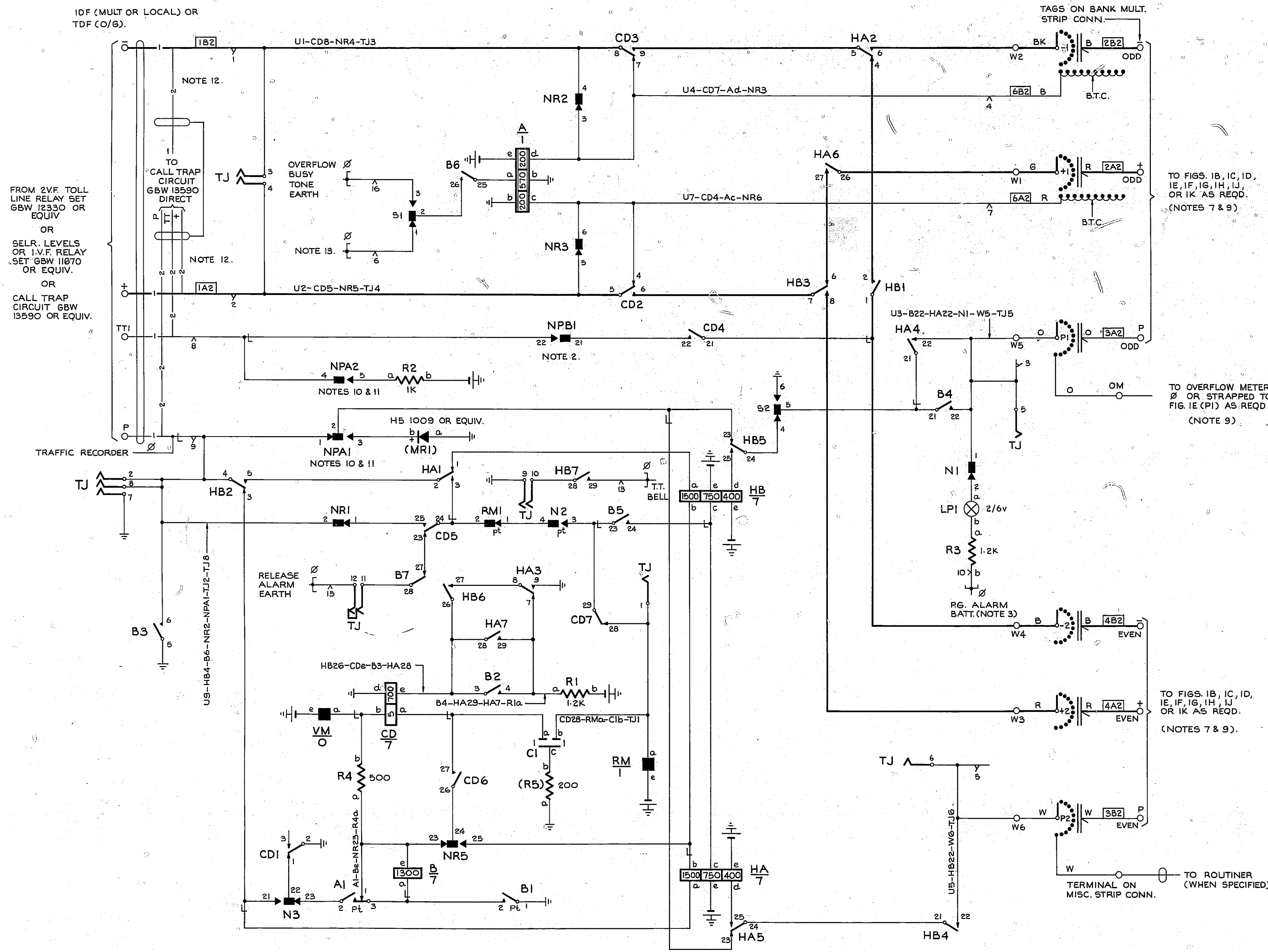


FIG. 1A

IDF (MULT OR LOCAL) OR TDF (O/G).



NOTES:-

- 1. FUSE:- 1.5A PER CIRCUIT
2. NPB SPRINGS TO OPERATE ON V.F. TRANSIT OR V.F. TO GENERATOR SIGNALING LEVELS...
3. PG. ALARM BATTERY TO BE PROVIDED ON INCOMING & FIRST SELECTORS ONLY.
4. Ø FOR WIRING SEE GBW 11770 OR EQUIV.
5. SHELF JACK-POINTS U9 & U11 TO MAKE CONTACT WHEN SWITCH IS REMOVED.
6. ALL WIRING TO BE 25 SWG. UNLESS OTHERWISE SPECIFIED.
7. FOR ACTUAL CONNECTIONS SEE RELEVANT GRADING CHARTS.
8. BANK MULTIPLE CONNECTIONS TO THESE TERMINALS ARE AS SHOWN IN FIG. 1A.
9. WHEN THIS DIAGRAM IS USED ON EXTNS WHERE T.D.F. CAPACITY EXISTS THE BANK MULT & OVERFLOW METER CONNECTIONS SHALL BE CABLED TO T.D.F.
10. "NPA" SPRINGS TO OPERATE ON LEVELS GIVING ACCESS TO FINAL SELECTORS AND OTHER "DC" CONNECTIONS UNDER 3db LOSS.
11. "NPA" SPRINGS MUST NOT BE ARRANGED TO OPERATE ON LEVEL ONE BECAUSE ROUTINER TEST LINE SWITCHING RELAYS CAN BE ASSOCIATED WITH THAT LEVEL.
12. WHEN DIRECTLY CONNECTED TO CALL TRAP CIRCUIT. ADD WIRING SHOWN AND DELETE WIRING SHOWN DIRECT CABLED FROM CALL TRAP CCTS. IS NOT TO BE APPLIED TO NEW WORK.
13. ON EARLY EQUIPMENT U6 WAS CONNECTED TO EARTH AT U11. FOR NEW WORK EARTH IS DERIVED FROM DIAL TONE EARTH DISTN.
14. BATT. WIRE COLOURS WERE BK & W ON SOME EARLY EQUIPMENT.

BATT:- FUSE V 22 SWG 5B2 U12

ETH:- ETH. R 22 SWG 5A2 U11

BATT. V :-U12-HBc-R1b-R2b-Ae-HAe-VMc-RMe.

ETH. R :-U11-CDd-CD2-Ab-B1-B5-HA9-56-R5a-TJ7-TJ9. MRIa



Table with 6 columns: NPB, NPA, N, NR, S, TJ. Values: 1, 2, 3, 5, 2, 14.

FIG. 1B O/G 3 WIRE CIRCUITS

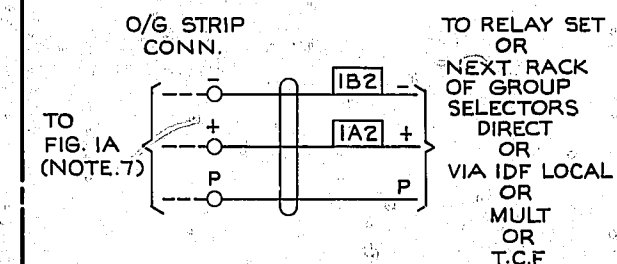


FIG. 1C TIE CIRCUITS BETWEEN RACKS.

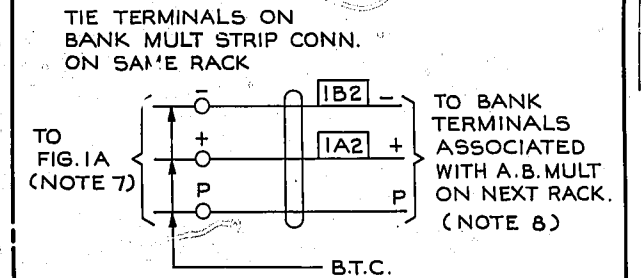


FIG. 1D O/G 3 WIRE CIRCUITS (WITH FULL AVAILABILITY)

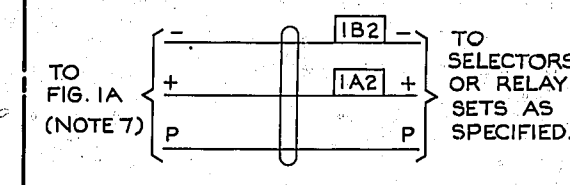


FIG. 1E 11TH STEP TIE CIRCUITS BETWEEN RACKS.

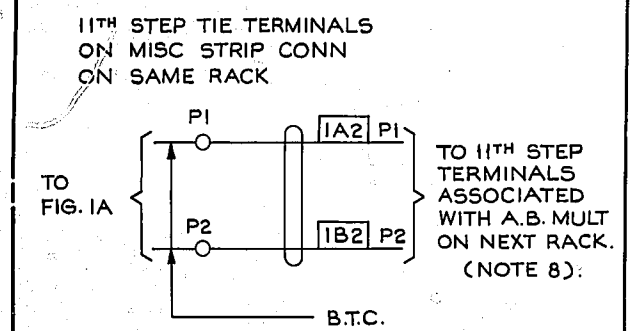


FIG. 1F O/G 5 WIRE CIRCUIT

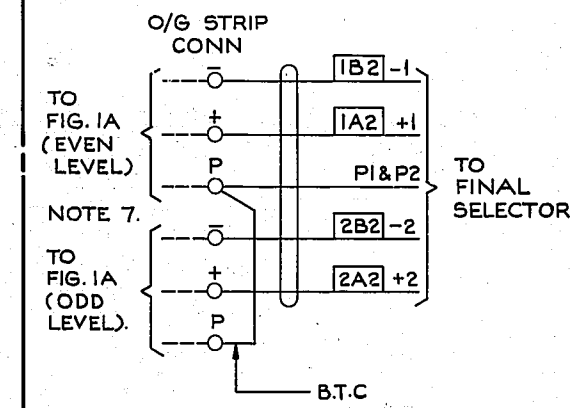


FIG. 1G O/G 5 WIRE CIRCUIT (WITH FULL AVAILABILITY)

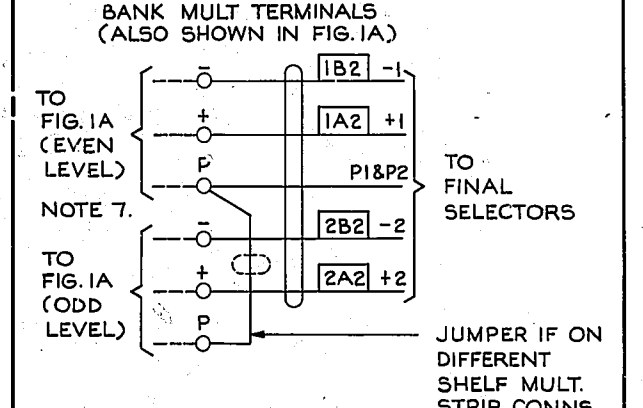


FIG. 1J O/G 4 WIRE CIRCUITS

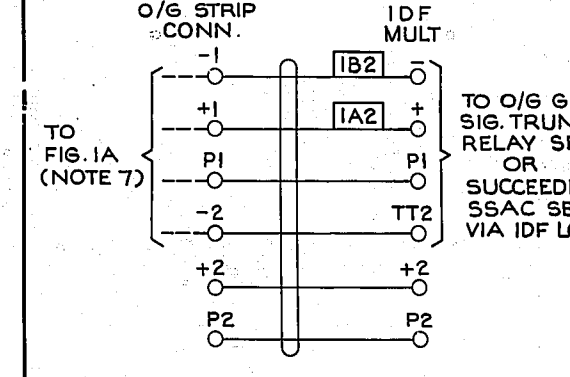


FIG. 1H CENTRALISED GRADING

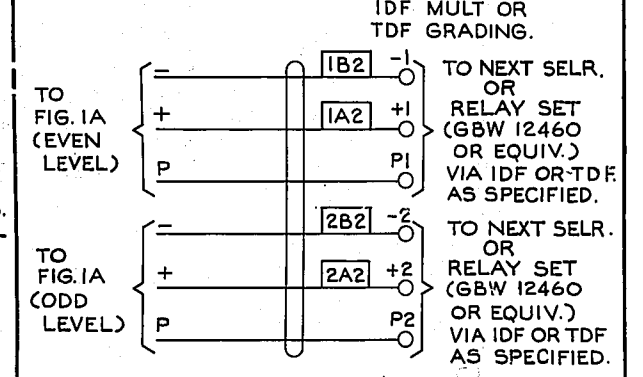
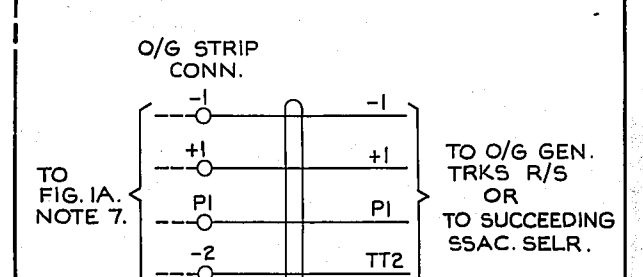


FIG. 1K O/G 4 WIRE CCTS (DIRECT CABLED)



Technical drawing header and footer including NZPO, GBW 14581, and drawing details like 'DRAWN G.H.', 'CHECKED S.M.', 'WIRING CIRCUIT AM. HB.', 'DATE', 'APD', 'SIZE A1', '50V H'.