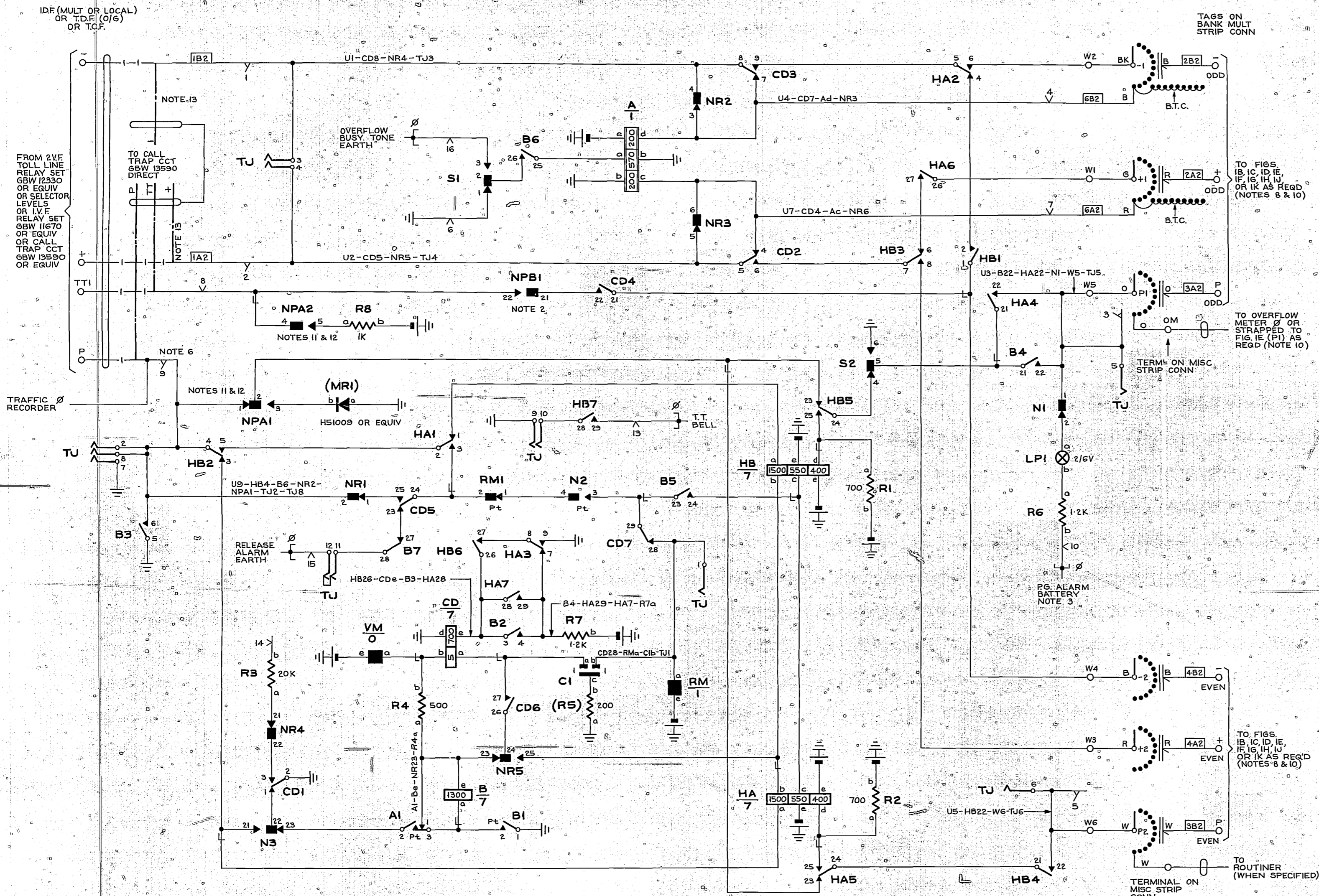


FIG. IA



NOTES

- FUSING TO BE 1.5A PER CIRCUIT.
- NPB SPRINGS TO OPERATE ON VF TRANSIT AND VF TO GENERATOR SIGNALING LEVELS P2 OUTLETS OF LEVELS CONCERNED TO BE EARTHED & 2 OUTLETS TO BE CONNECTED TO TT2 WIRE OF VF RELAY SETS OR TTI OF SUCCEEDING VF SELRS. THE AVAILABILITY OF THE LEVELS CONCERNED IS REDUCED TO 10 OUTLETS.
- PG. ALARM BATTERY TO BE PROVIDED ON INCOMING & FIRST SELECTORS ONLY.
- Ø FOR WIRING SEE GBW 11770.
- DELETED.
- SHELF JACK POINTS U9 & U11 TO MAKE CONTACT WHEN SWITCH IS REMOVED.
- ALL WIRING TO BE 25 SWG UNLESS OTHERWISE STATED.
- FOR ACTUAL CONNECTIONS SEE RELEVANT GRADING CHARTS.
- BANK MULTIPLE CONNECTIONS TO THESE TERMINALS ARE AS SHOWN IN FIG. IA.
- WHEN THIS DIAGRAM IS USED ON EXTNs WHERE I.D.F. CAPACITY EXISTS THE BANK MULT & OVERFLOW METER CONNECTIONS SHALL BE CABLED TO T.D.F.
- NPA SPRINGS TO OPERATE ON LEVELS GIVING ACCESS TO FINAL SELECTORS AND OTHER DC CONNECTIONS UNDER 3db LOSS.
- NPA SPRINGS MUST NOT BE ARRANGED TO OPERATE ON LEVEL ONE BECAUSE ROUTINER TEST LINE SWITCHING RELAYS CAN BE ASSOCIATED WITH THAT LEVEL.
- WHEN DIRECTLY CONNECTED TO CALL TRAP CIRCUIT ADD WIRING SHOWN THUS AND DELETE WIRING SHOWN THUS DIRECT CABLING FROM CALL TRAP CCTS. IS NOT TO BE APPLIED TO NEW WORK.

BATT FUSE BK 22 SWG 5B2 U12
 ETH BAR R 22 SWG 5A2 U11
 BATT W :- U12-HB6-R1b-R2b-Ae-HAe-VMc-RMc-R7b-R8b
 ETH R :- U11-CD4-CD2-Ab-B1-B5-HA9-96-R5a-TJ7-TJ9 (M1a)

NPB	NPA	N
1	2	3
NR	S	TJ
5	2	14

FIG. IK O/G 4 WIRE CCTS (DIRECT CABLING)

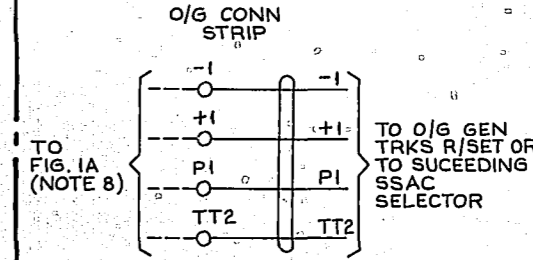


FIG. IB O/G 3 WIRE CIRCUITS

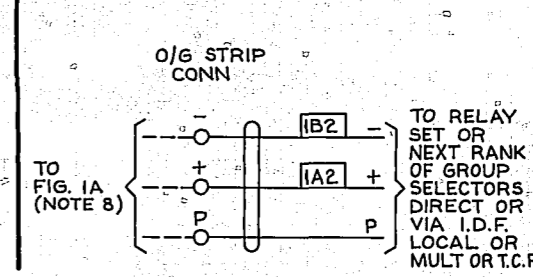


FIG. IC TIE CIRCUITS BETWEEN RACKS

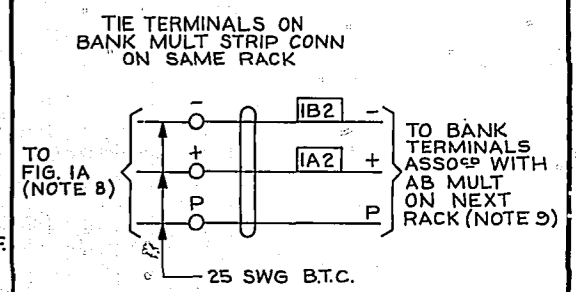


FIG. ID O/G 3 WIRE CCTS (WITH FULL AVAILABILITY)

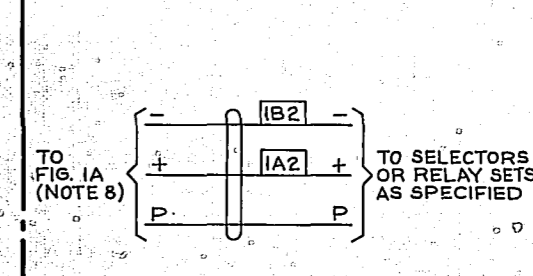


FIG. IE 11TH STEP TIE CIRCUITS BETWEEN RACKS

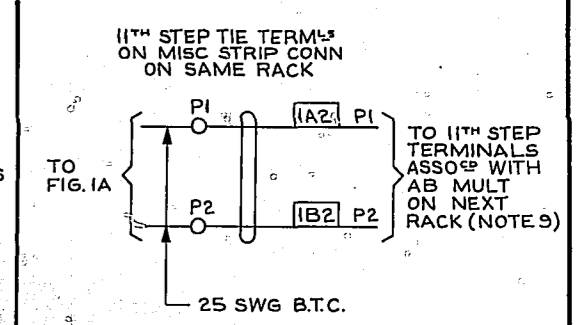


FIG. IF O/G 5 WIRE CIRCUIT

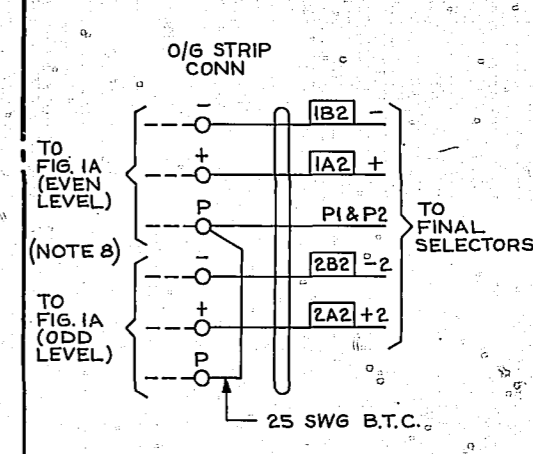


FIG. IG O/G 5 WIRE CCT (WITH FULL AVAILABILITY)

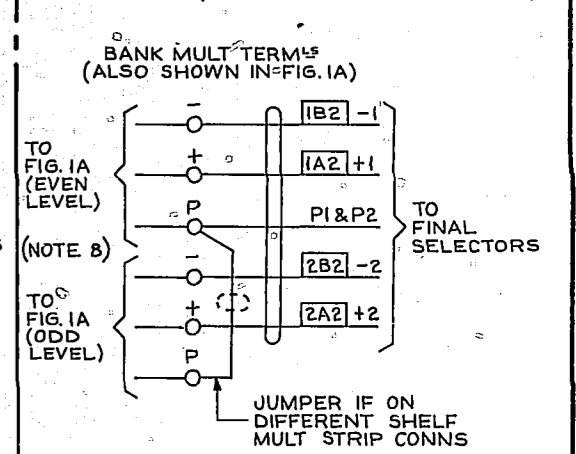


FIG. IJ O/G 4 WIRE CIRCUITS

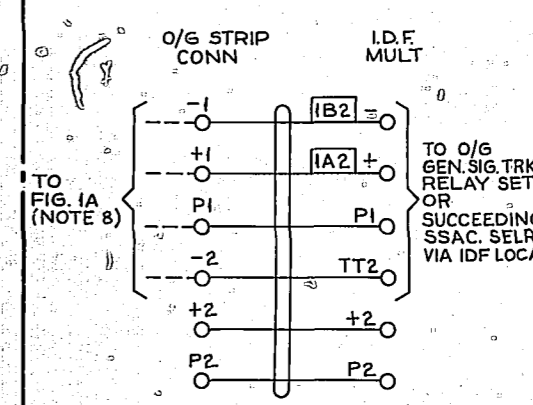
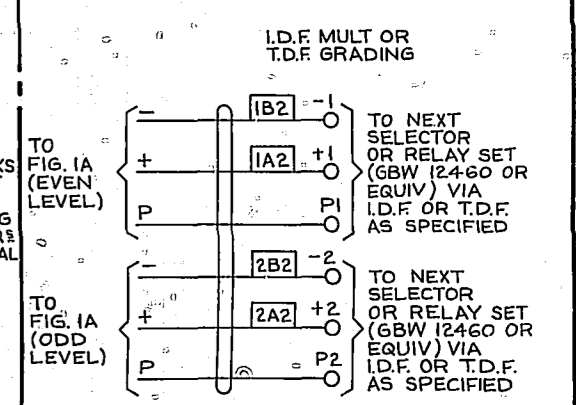


FIG. IH CENTRALISED GRADING



SUPERSEDED FOR NEW WORK BY GBW 14581

RETRACED		(83790)	9	11-74	B5-H
IN FIGS. IF, IG & IH EVEN & ODD LEVELS		(9776)	9	11-968	JZ
TRANSPROSED		(9776)			
AMENDMENT	PARTICULARS	ISSUE DATE	APPR	REF	SIZE: A1 150x110
NZPO	DRAWN	CHECKED	WIRING	CIRCUIT	N.Z. A.C. SIGNALLING SYSTEMS SELECTOR 200 OUTLET (NOTE 2) 2000 TYPE
	G.S.	R.K.L.	R.K.L.	H.B.	GBW 14580