

FIG. 1

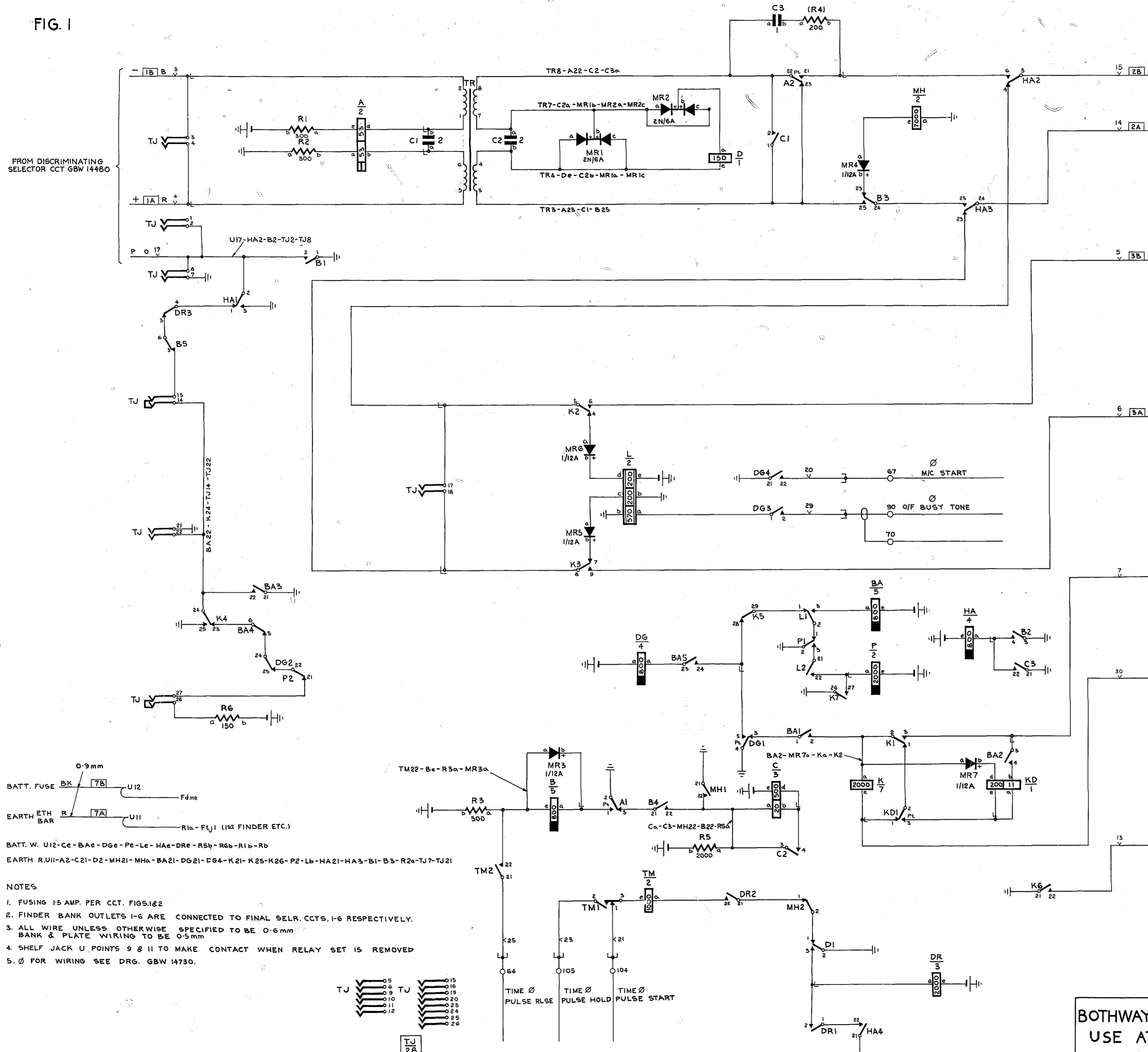
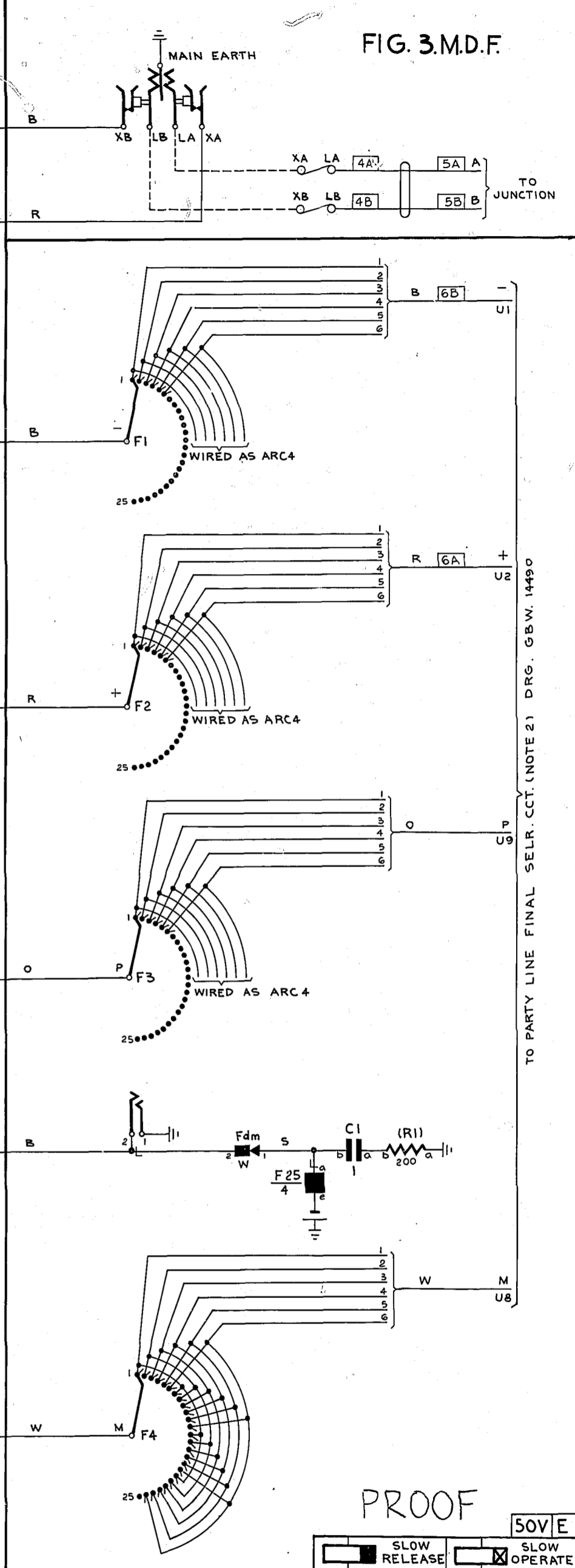


FIG. 3.M.D.F.



FROM DISCRIMINATING SELECTOR CCT GBW 14480

BATT. FUSE BK 7B U12 Fdme

EARTH ETH BAR 7A U11 R1a-Ftj1 (1st FINDER ETC.)

BATT. W. U12-Ce-BAe-DGe-Pe-Le-HAe-DRe-R5b-R6b-R1b-Rb

EARTH R.U11-A2-C21-D2-MH21-MHa-BA21-DG21-CG4-K21-K25-K26-P2-Lb-HA21-HA3-B1-B3-R2a-TJ7-TJ21

- NOTES
1. FUSING 15 AMP. PER CCT. FIGS.1&2
 2. FINDER BANK OUTLETS 1-6 ARE CONNECTED TO FINAL SELR. CCTS. 1-6 RESPECTIVELY.
 3. ALL WIRE UNLESS OTHERWISE SPECIFIED TO BE 0.6mm BANK & PLATE WIRING TO BE 0.5mm
 4. SHELF JACK U POINTS 9 & 11 TO MAKE CONTACT WHEN RELAY SET IS REMOVED
 5. Ø FOR WIRING SEE DRG. GBW 14730.

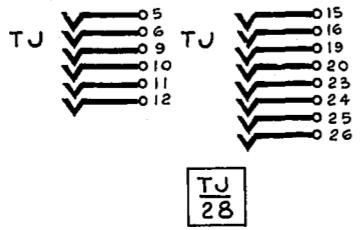


FIG. 2

BOTHWAY JUNCTION R/S FOR USE AT REMOTE UNITS U.A.X. N.Z. 13R.

PROOF

50V E	
<input type="checkbox"/> SLOW RELEASE	<input checked="" type="checkbox"/> SLOW OPERATE
RETRACTED FROM 1951 7.2.56	
ISS DATE	DEL DC ORDER/CK/APPD
DRNT - EQPT	CKD
TCD: L.N.	APPD
NZPO ENG	-IN-CHIEF, WELLINGTON
SIZE	A1
GBW 14510	

SUPERSEDED BY GBW 13670 FOR NEW WORK.

UD 237

TO PARTY LINE FINAL SELR. CCT. (NOTE 2) DRG. GBW. 14490

