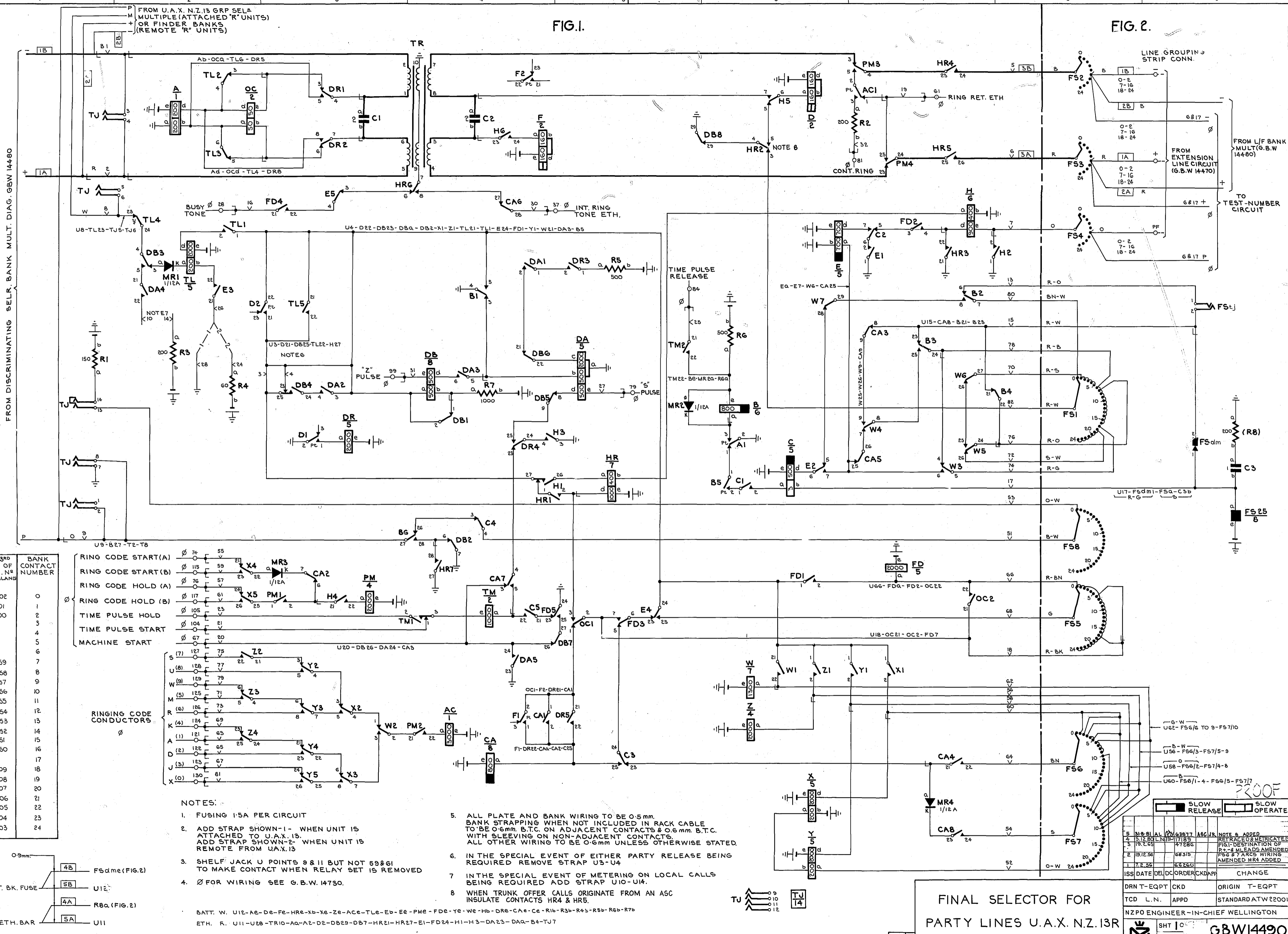


FIG. 1.

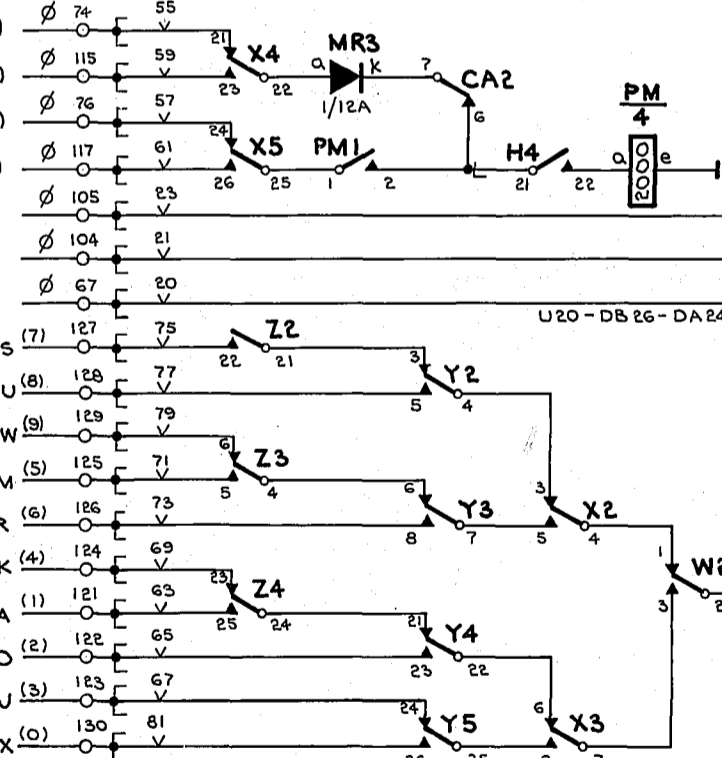
FIG. 2.



2ND & 3RD DIGITS OF SUBS. N ^o (NEW ZEALAND)	BANK CONTACT NUMBER
42-02	0
41-01	1
40-00	2
	3
	4
	5
	6
99-59	7
98-58	8
97-57	9
96-56	10
95-55	11
94-54	12
93-53	13
92-52	14
91-51	15
90-50	16
	17
49-09	18
48-08	19
47-07	20
46-06	21
45-05	22
44-04	23
43-03	24

RING CODE START (A)
RING CODE START (B)
RING CODE HOLD (A)
RING CODE HOLD (B)
TIME PULSE HOLD
TIME PULSE START
MACHINE START

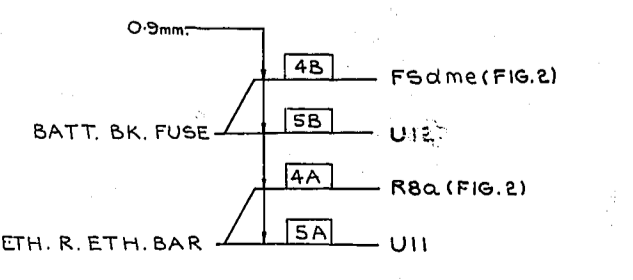
RINGING CODE CONDUCTORS



NOTES:-
1. FUSING 1.5A PER CIRCUIT
2. ADD STRAP SHOWN-1- WHEN UNIT IS ATTACHED TO U.A.X. 13. ADD STRAP SHOWN-2- WHEN UNIT IS REMOTE FROM U.A.X. 13
3. SHELF JACK U POINTS 9 & 11 BUT NOT 59 & 61 TO MAKE CONTACT WHEN RELAY SET IS REMOVED
4. Ø FOR WIRING SEE G.B.W. 14730.

5. ALL PLATE AND BANK WIRING TO BE 0.5mm. BANK STRAPPING WHEN NOT INCLUDED IN RACK CABLE TO BE 0.6mm. B.T.C. ON ADJACENT CONTACTS & 0.6mm. B.T.C. WITH SLEEVING ON NON-ADJACENT CONTACTS. ALL OTHER WIRING TO BE 0.6mm UNLESS OTHERWISE STATED.
6. IN THE SPECIAL EVENT OF EITHER PARTY RELEASE BEING REQUIRED REMOVE STRAP U3-U4
7. IN THE SPECIAL EVENT OF METERING ON LOCAL CALLS BEING REQUIRED ADD STRAP U10-U14.
8. WHEN TRUNK OFFER CALLS ORIGINATE FROM AN ASC INSULATE CONTACTS HR4 & HR5.

BATT. W. U12-Ae-De-Fe-HRe-Xb-Xe-Ze-Ace-TLe-Eb-Ee-PMe-FDe-Ye-We-Hb-DRe-CAe-Ce-R1b-R3b-R4b-R5b-R6b-R7b
ETH. R. U11-U28-TR10-AQ-A2-D2-DB23-DB7-HR21-HR27-E1-FD24-H1-H3-DA23-DAQ-B4-TJ7



SUPERSEDED BY G.B.W. 13660 FOR NEW WORK. 50V/C

FINAL SELECTOR FOR PARTY LINES U.A.X. N.Z. 13R

ISS DATE	DEL	DC	ORDER	CKD	APP	CHANGE
5/12/56						
1/2/56						
1/2/56						

DRN T-EQPT CKD ORIGIN T-EQPT
TCD L.N. APPD STANDARD ATW 22001
NZPO ENGINEER-IN-CHIEF WELLINGTON

SHT 10
G.B.W. 14490

