

5 Centimetres

30

25

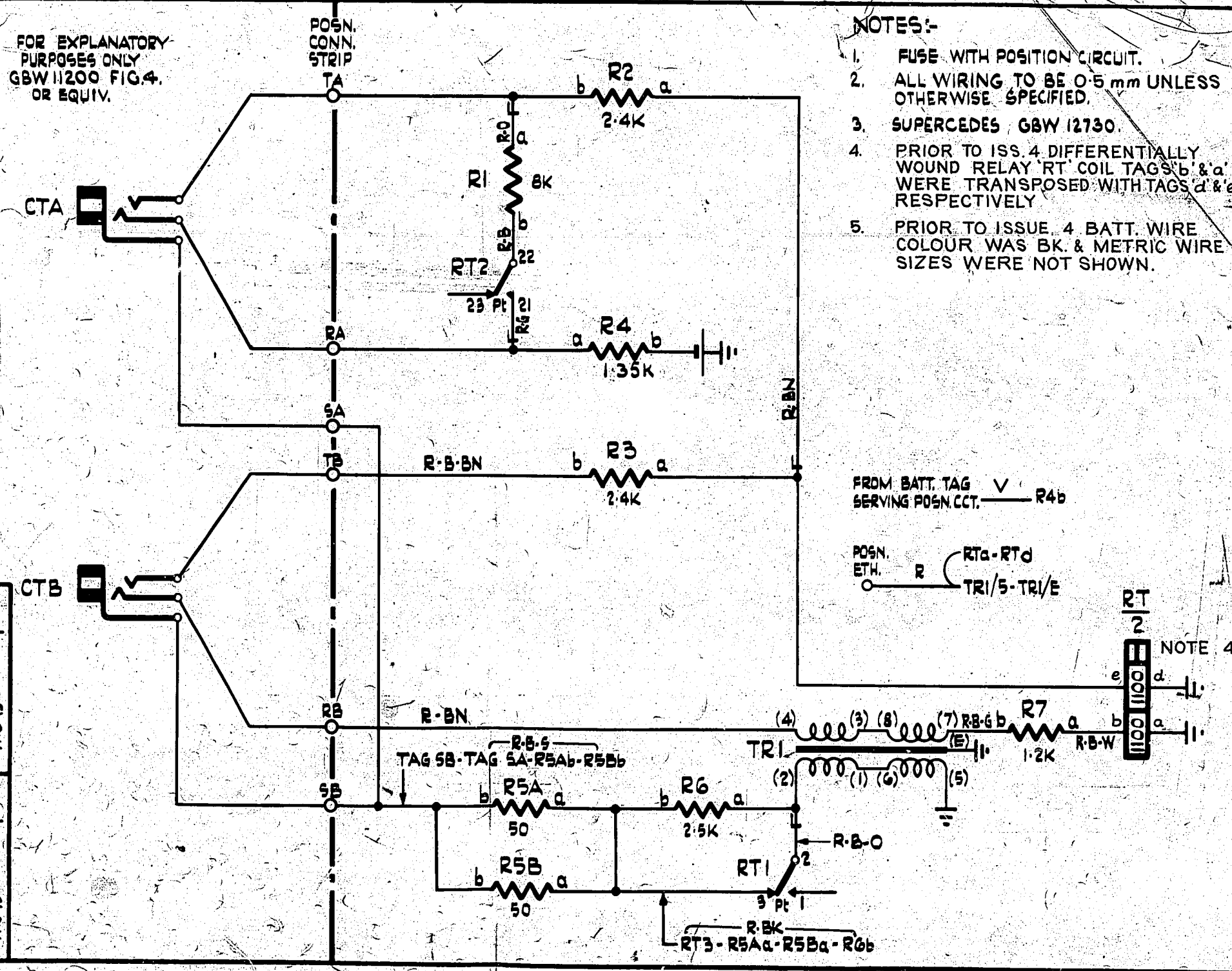
20

15

10

0

FOR EXPLANATORY PURPOSES ONLY
GBW 11200 FIG. 4.
OR EQUIV.

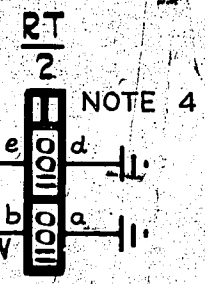


NOTES:-

1. FUSE WITH POSITION CIRCUIT.
2. ALL WIRING TO BE 0.5 mm UNLESS OTHERWISE SPECIFIED.
3. SUPERCEDES GBW 12730.
4. PRIOR TO ISS. 4 DIFFERENTIALLY WOUND RELAY 'RT' COIL TAGS 'b' & 'a' WERE TRANSPOSED WITH TAGS 'd' & 'e' RESPECTIVELY
5. PRIOR TO ISSUE 4 BATT. WIRE COLOUR WAS BK. & METRIC WIRE SIZES WERE NOT SHOWN.

FROM BATT. TAG V
SERVING POSN. CCT. R4b

POSN. ETH. R (RTa-RTd)
TRI/5-TRI/E



RT-RELAY COIL TAGS 'd' & 'e' TRANSPOSED (2425)
NOTES 4 & 5 WERE NOT SHOWN (2425)
REF TO GBW 10010 IN ETHRUNDLETED (00007)
IN ETHRUND TPA WAS NOT SHOWN

AMENDMENT PARTICULARS	ISSUE	DATE	APPR
1			
2			
3	10-11-63	DBH	
4	7-5-73	BSH	
5	7-5-73	BSH	

CORD & RING KEY
TEST CIRCUIT
SLEEVE CONTROL
SYSTEM

SLOW RELEASE
 SLOW OPERATE

NZPO

DRAWN	CHECKED	WIRING	CIRCUIT
11R			213

GBW 14460

REC- 6S3	12-42	SIZE F	50V
----------	-------	--------	-----