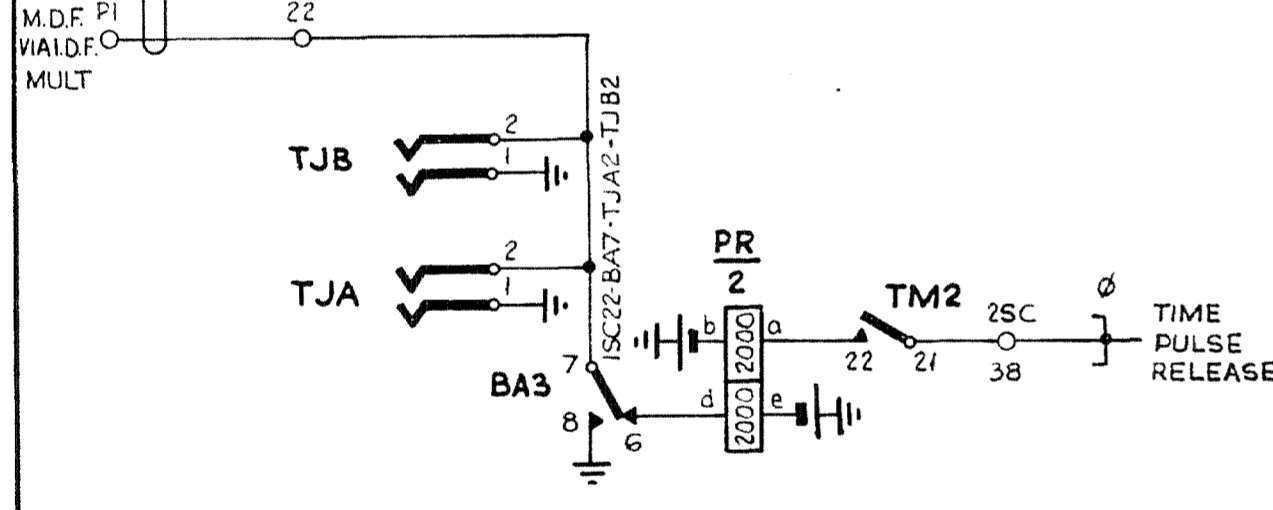


I.D.F. LOCAL

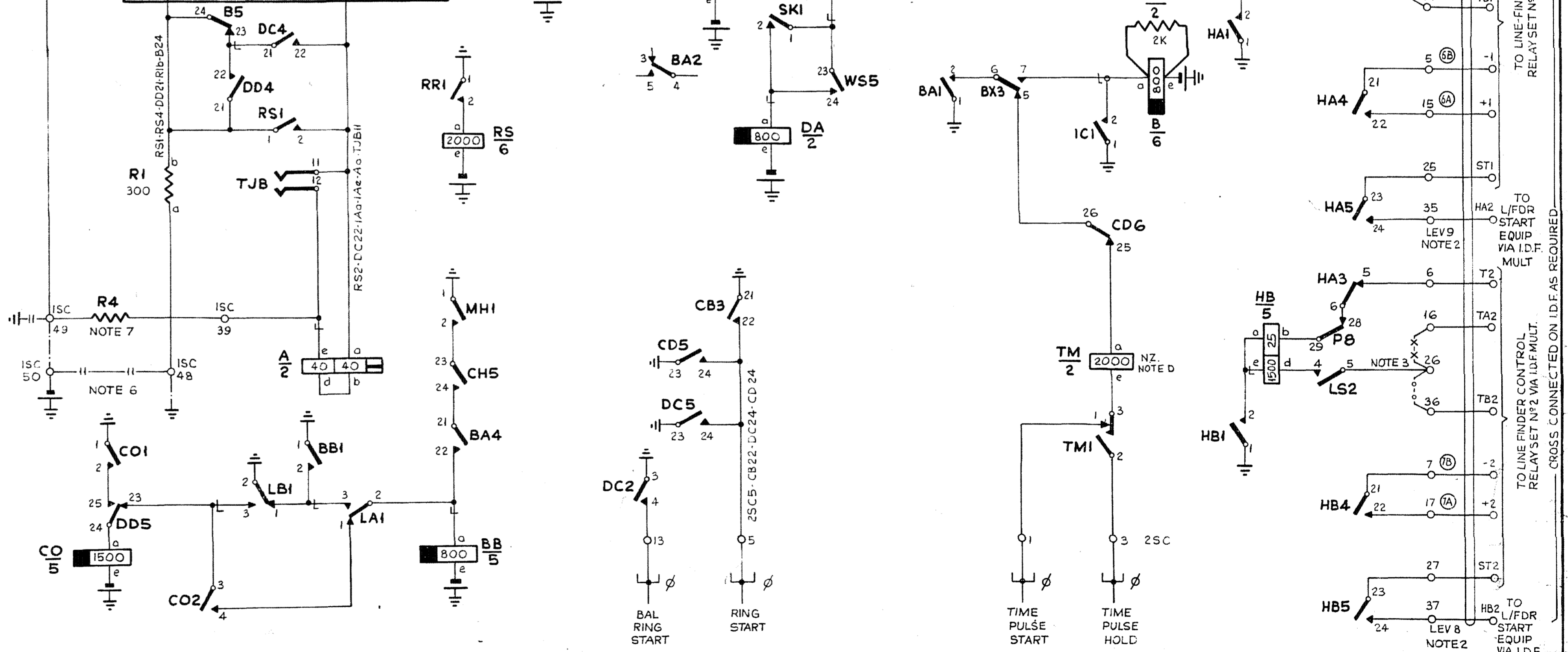
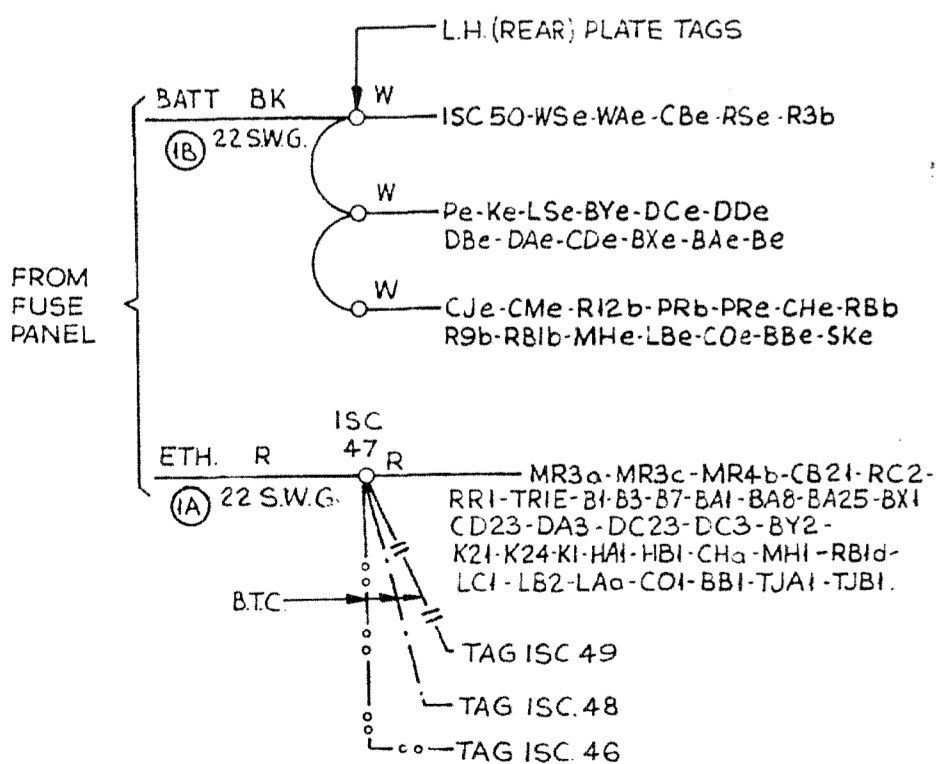


NOTES:-

- FUSE - 10A PER CIRCUIT
- LEVELS 8 & 9 REFER TO N.Z.P.O. REVERSED DIAL NUMBERING SCHEME.
- CONNECT STRAPS SHOWN ———— WHEN LINE FINDER CONTROL RELAY SET N°1 IS FIRST CHOICE CONNECT STRAPS SHOWN -X-X- WHEN LINE FINDER CONTROL RELAY SET N°2 IS FIRST CHOICE.
- WHEN ROUTE IS BARRED TO CALLS FROM I/C JUNC. STRAP TERMINALS ISC 31 & 32 SHOWN ————
- Ø FOR WIRING SEE GBW 13730 OR EQUIV.
- WHEN PARENT MANUAL BOARD IS WIRED FOR BATTERY DIALLING DISCONNECT WIRING SHOWN THIS ———— AND STRAP TERMINALS ISC 47 & 49 AND ISC 48 & 50 SHOWN ————
- RESISTOR R4 WILL BE SUPPLIED BY NZPO. VALUE OF R4 TO BE SUCH THAT THE LINE CURRENT GIVES P.D. OF 2.4 VOLTS BETWEEN TJB8 & TJB12.
- STRAP TERMINALS 25C 10 & 20 TO ENABLE OPERATOR TO TRUNK OFFER SHOWN ————
- ISC REFERS TO UPPER STRIP CONN. 25C REFERS TO LOWER STRIP CONN.
- ALL WIRING TO BE 25 SWG. UNLESS OTHERWISE SPECIFIED.
- WHEN PARENT EXCHANGE IS 2000 TYPE S.C.S. OR USES NON-RING THROUGH CORD CIRCUITS, CONNECT EARTH TO TERMINAL ISC.46 AS SHOWN THIS ————

N.Z. NOTES:-

- AT A TANDEM U.A.X. THESE RELAY SETS O/G TO NON-PARENT MANUAL EXCHANGES SHOULD HAVE THE NORMAL 'e' AND 'o' CONNECTIONS TO L.C. REVERSED.
- WHEN USED ON A CARRIER CIRCUIT WITH N.Z.P.O. DWG. 29037 FIG. 4, EQUIP RELAY DE, USE CONNECTIONS SHOWN ————, AND OMIT CONNECTIONS SHOWN -X-X-
- IF THE CCB FACILITY IS REQUIRED AND THE SIMPLEX TAIL OF THIS CIRCUIT IS USED FOR A CARRIER CIRCUIT (REF 29037 FIG. 3) CONDENSER C4 IS TO BE 4µF. RR RELAY IS TO BE 800-Ω CODE P71BC/1300A/3. WIRING SHOWN +++++ IS TO BE DISCONNECTED AND RESISTORS R14 & 15 SHOWN ———— ARE TO BE EQUIPPED. THE VALUE OF THESE RESISTORS IS TO BE ADJUSTED ON SITE TO PERMIT SATISFACTORY OPERATION OF RR RELAY TO INCOMING RING. IN CASES OF PREMATURE OPERATION THE TM RELAY SHOULD BE CHANGED TO 1000 ohms



APPLICATION:
FOR USE ON CARRIER AND PHYSICAL JUNCTIONS WHEN SIMPLEX TAIL OF PHYSICAL IS USED FOR DIALLING ON CARRIER JUNCTION NOT HAVING BUILT-IN SIGNALLING SYSTEM.

NZ. NOTE D ADDED	(193429)	D	4-7-77	RED					
VIC-0/G CALL COUNT METER LEADS DELETED (94619)		C	18-2-65	D.B.					
VALUE OF TRANSFORMER WINDINGS DELETED (37822)		A	3-5-63	D.B.					
	(41487)		29-9-61						
AMENDMENT PARTICULARS	ISSUE DATE	APP. REF.	SIZE	L	50Y	H			
NZPO	DRAWN	CHECKED	WIRING	CIRCUIT	GBW 14451 MOD C.				

U.A.X. N° NZ 13
BOTHWAY JUNCTION
TO PARENT EXCHANGE
LIMITED FACILITY TYPE

