

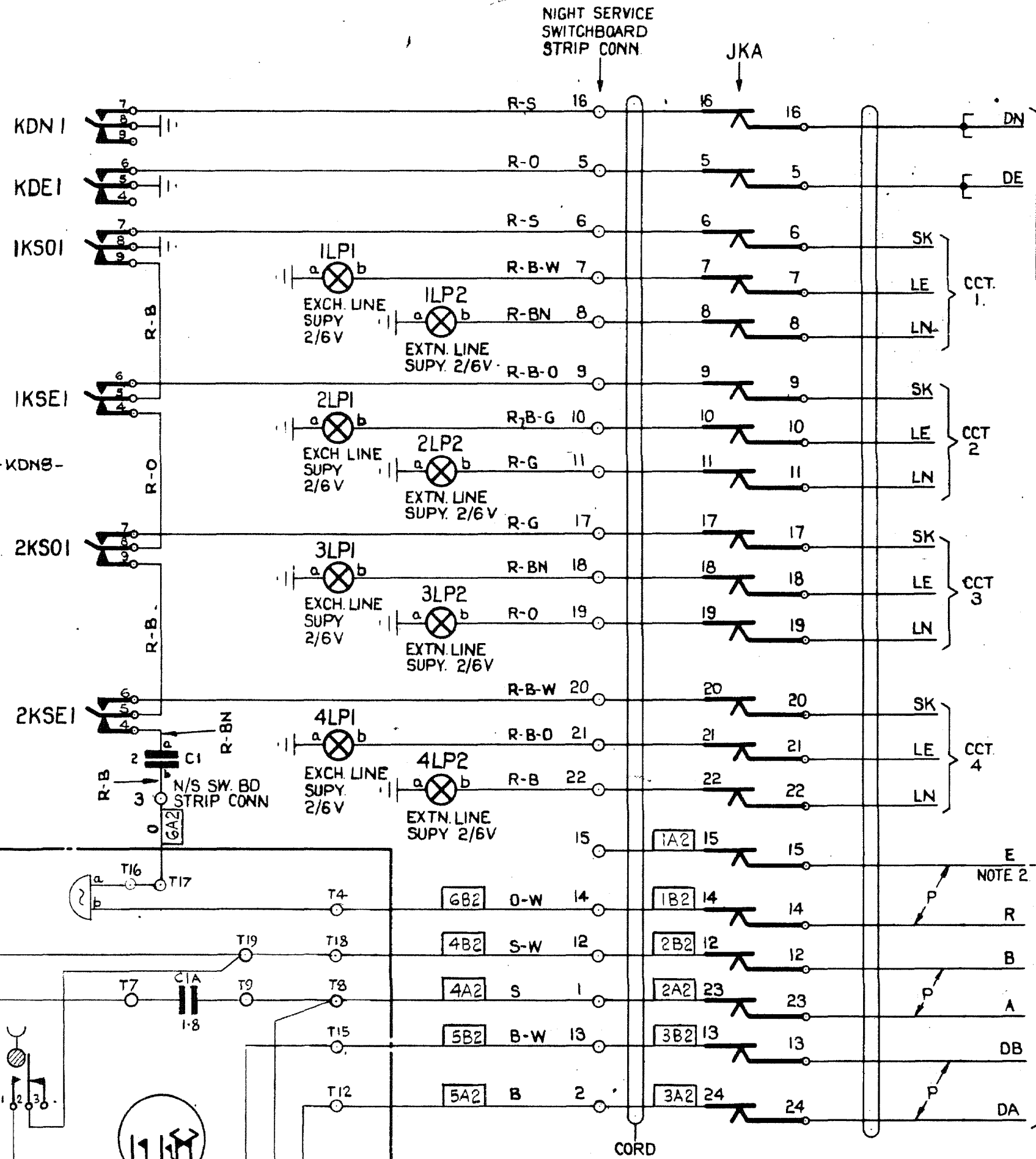
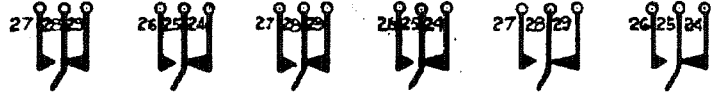
NOTES

- FIG.1. ALL WIRING BEARING A COLOUR CODE TO BE 25 SWG.
- CONNECT TO U81 OF 1ST ACCESS CIRCUIT SHELF JACK.

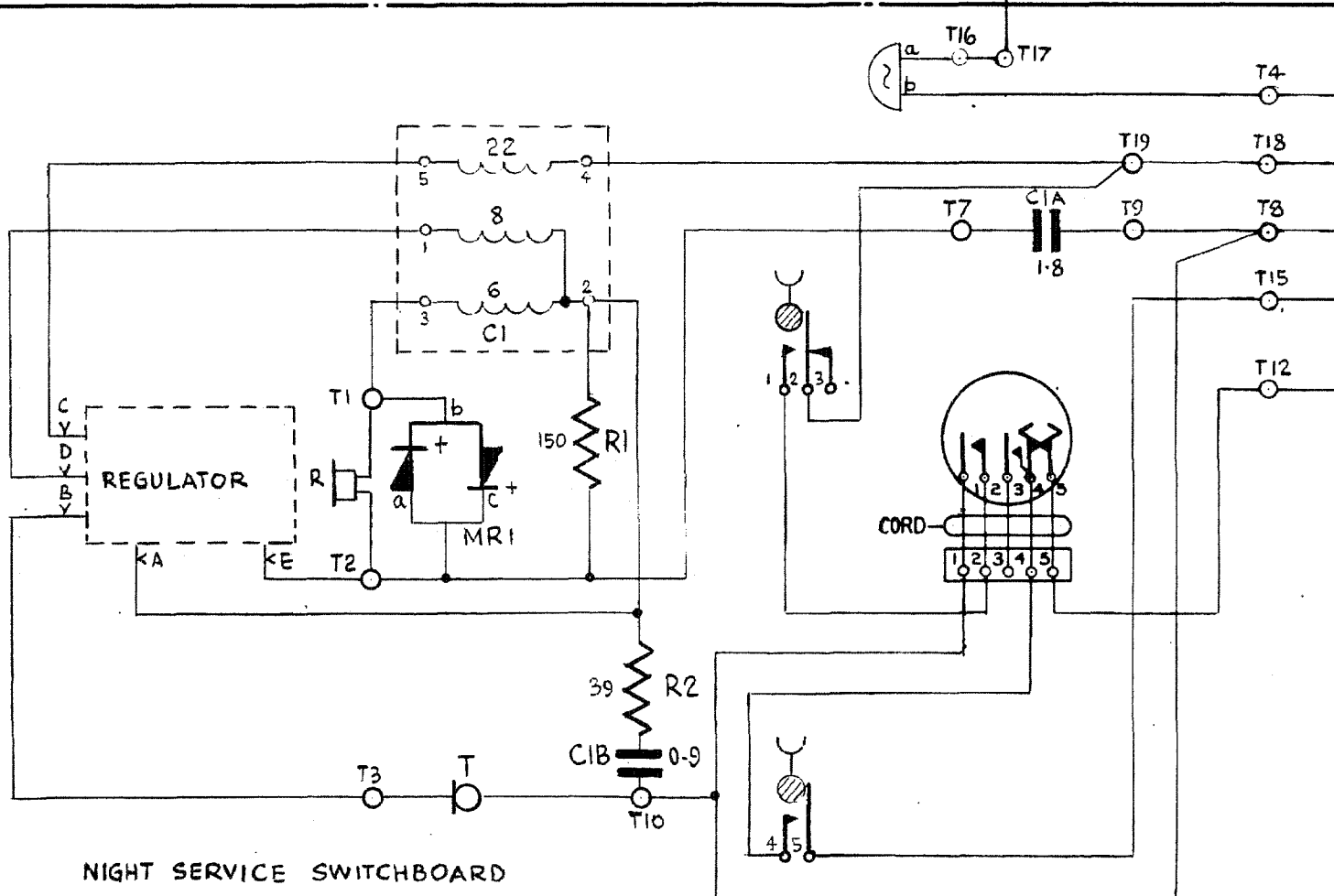
ETH: R: TAG.15-2LP2a-4LP2a-2LP1a-4LP1a-1KSOB-KDNB-KDE5-1LP1a-3LP1a-1LP2a-3LP2a.

$\frac{\text{SPEAK (KSO)}}{2} + \frac{\text{SPEAK (KSE)}}{2}$
$\frac{\text{DIAL EXTN. (KDN)}}{2} + \frac{\text{DIAL EXCH. (KDE)}}{2}$

KDN2 KDE2 IKS02 IKSE2 2KS02 2KSE2



TO NIGHT SERVICE ACCESS CIRCUITS GBW 14300.



NIGHT SERVICE SWITCHBOARD TELEPHONE SUBSET EXPLANATORY ONLY

FIG.1 NIGHT SERVICE SWITCHBOARD

				NIGHT SERVICE SWITCHBOARD CIRCUIT		
				50/1200 LINE P.A.B.X.		
				(89883)	1	18.9.64
AMENDMENT PARTICULARS			ISSUE	DATE	APP.	50v W
N.Z.P.O.			DRAWN	CHECKED	WIRING	CIRCUIT
GBW 14291						