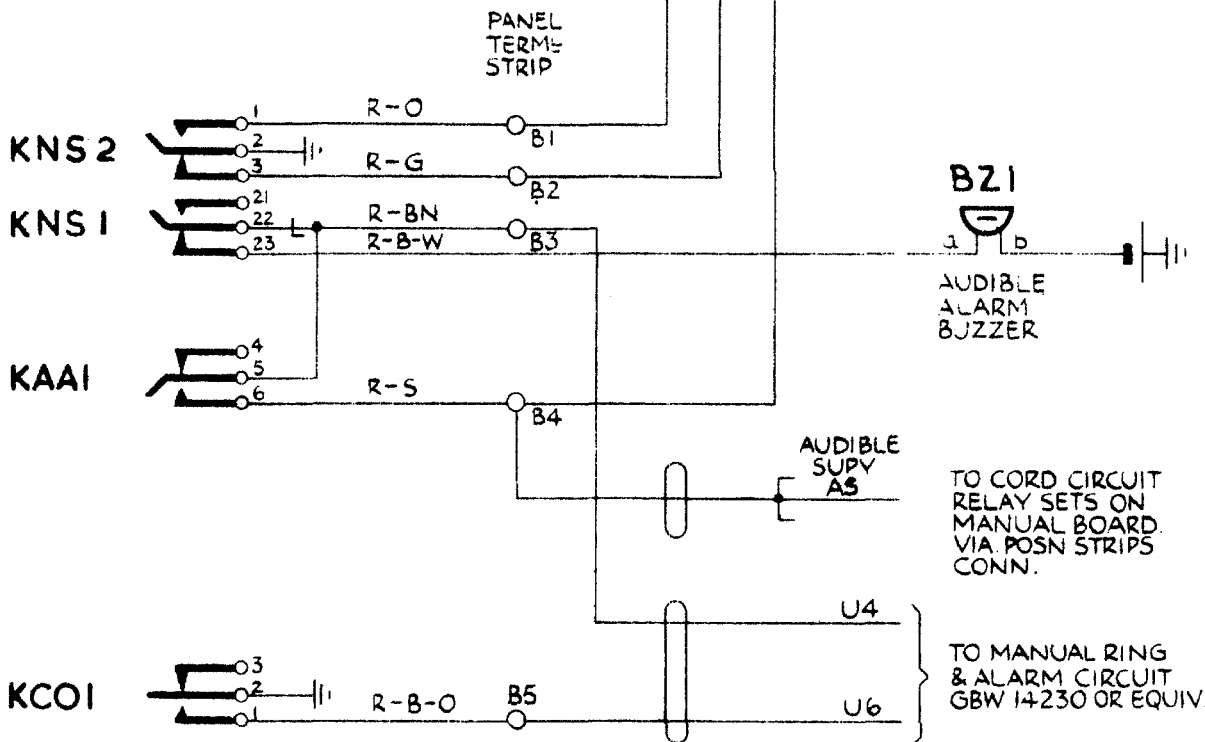


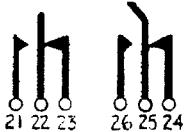
NIGHT SERVICE (KNS) + AUDIBLE ALM (KAA)  
2 2

ALM CUT OFF (KCO)  
2

TO RELEVANT RACK MISC  
TERMS ON R S R



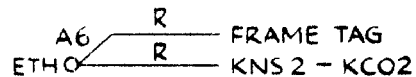
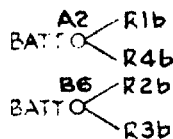
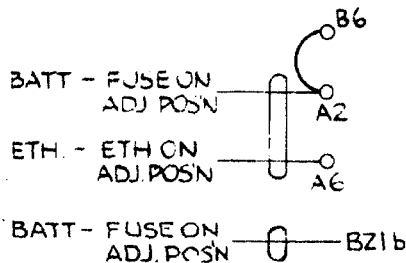
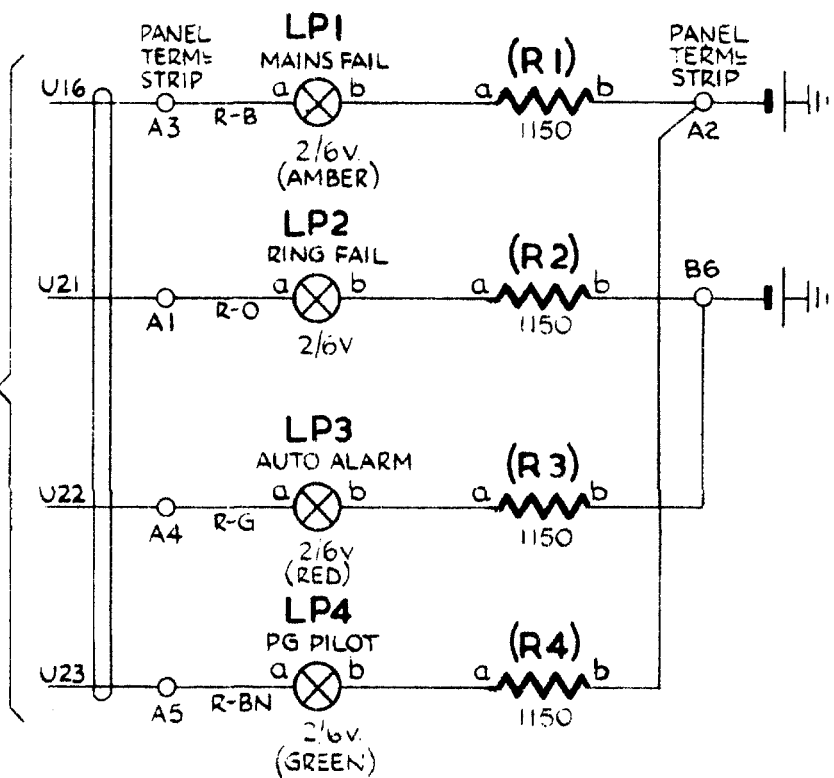
KCO2 KAA2



TO MANUAL RING & ALARM CCT. GBW 14230 OR EQUIV.

NOTES:

- FUSING:  
1.5A PER PANEL } FUSED ON  
1.5A PER BUZZER } ADJ POSN.
- ALL WIRING NOT OTHERWISE SPEC'D TO BE 23 SWG.



C.T.S. ALARM  
PANEL  
50/1200 P.A.B.X.

AMENDMENT PARTICULARS

ISSUE DATE APPD REF:-

50V W

GBW 14220

NZ.P.O

DRAWN  
SB

CHECKED  
STC

WIRING

CIRCUIT

JBK