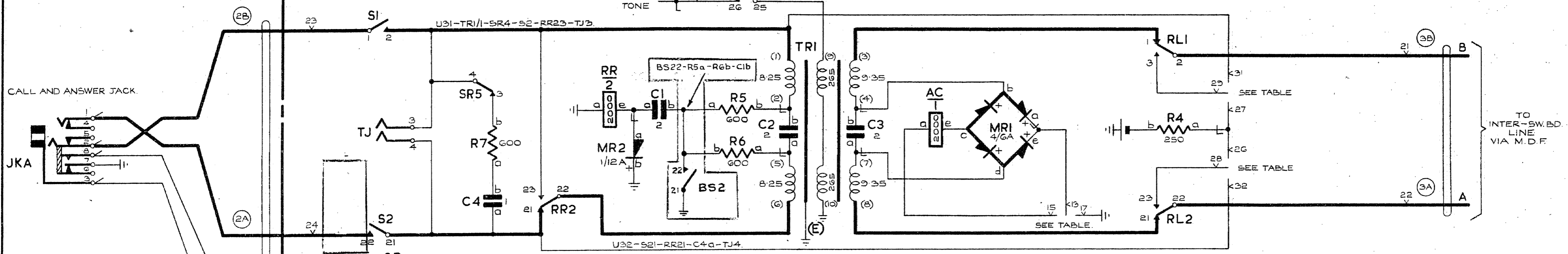


ETH-R (20 SWG) - POSN ETH BAR - JKA 7 ETC.



CALL AND ANSWER JACK

JKA

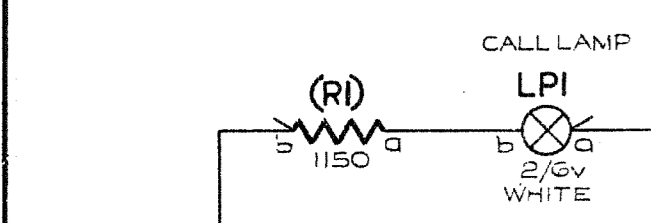


FIG. 2
LINE JACK AND LAMP
ON MANUAL BOARD

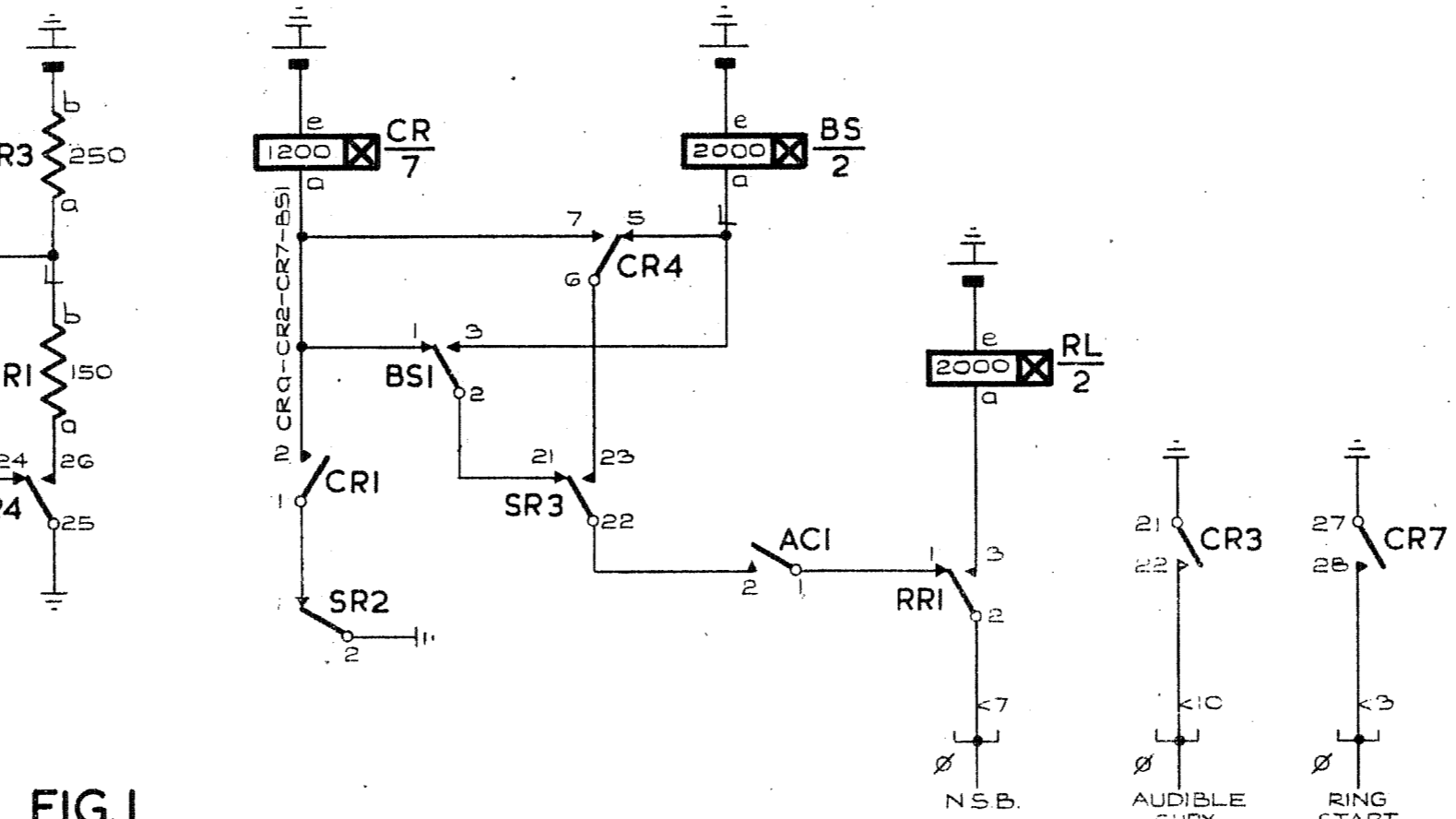
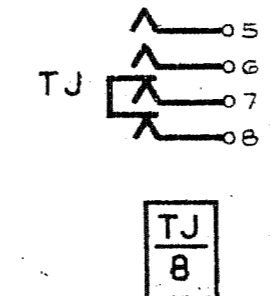


FIG. 1
RELAY SET

- NOTES:-
1. FUSE: 1.5A PER CIRCUIT
 2. 'U' POINTS 9-11 MAKE WHEN PANEL IS REMOVED
 3. Ø FOR WIRING SEE GBW 14280 OR EQUIVALENT
 4. SWITCHPLATE WIRING TO BE 25 SWG

BATT BK (20 SWG) FUSE U12
 ETH R (20 SWG) ETH BAR U11 U17
 BATT. W. U12-SRE-CR6-BSE-RL6-R4b-R2b-R3b.
 ETH. R. U11-TRI/10-TRI/E-SR5-SR2-RR2-MR2-CR21-CR23-CR27-BS2-TJ

METHOD OF SIGNALLING	DETAILS	CIRCUIT CONDITIONS RECEIVED INWARD AND SENT OUTWARD						STRAPPING ON 'U' POINTS	SIGNALLING LIMITS
		CALL SIGNAL		ANSWER SIGNAL		CLEAR SIGNAL			
		INWARD	OUTWARD	INWARD	OUTWARD	INWARD	OUTWARD		
GENERATOR SIGNALLING BOTHWAYS	INCLUDING GENERATOR CLEAR FACILITIES	GENERATOR ON A & B WIRES	GENERATOR ON A & B WIRES	—	—	GENERATOR ON A & B WIRES	GENERATOR ON A & B WIRES	13 - 15 29 - 31 28 - 32	DEPENDENT ON LINE CONDITIONS
BALANCED BATTERY SIGNALLING BOTHWAYS	"	EARTHED BATTERY ON A & B WIRES	EARTHED BATTERY ON A & B WIRES	—	—	EARTHED BATTERY ON A & B WIRES	EARTHED BATTERY ON A & B WIRES	15 - 17 27 - 29 26 - 28	18000Ω LINE LOOP



N.Z.P.O.	DRAWN TD	CHECKED RSC	WIRING RSC	CIRCUIT RSC
----------	-------------	----------------	---------------	----------------

INTER SWITCH BOARD
PRIVATE WIRE CIRCUIT
GEN^r & BALANCED BATT. SIGN^g
50/1200 LINE P.A.B.X.

AMENDMENT PARTICULARS

ISSUE DATE: 18.12.55
APPR: [Signature]

50V W

GBW. 14190.