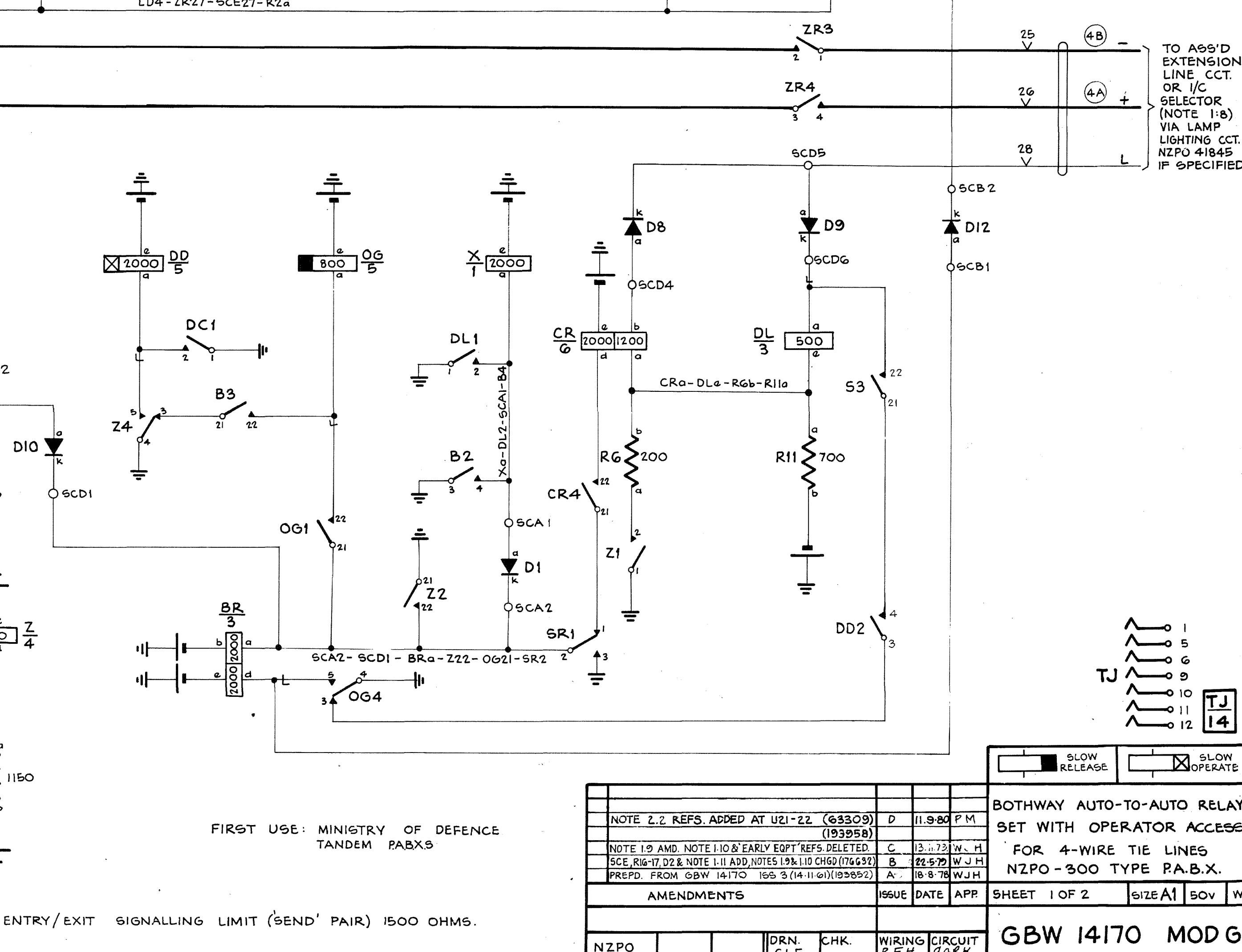
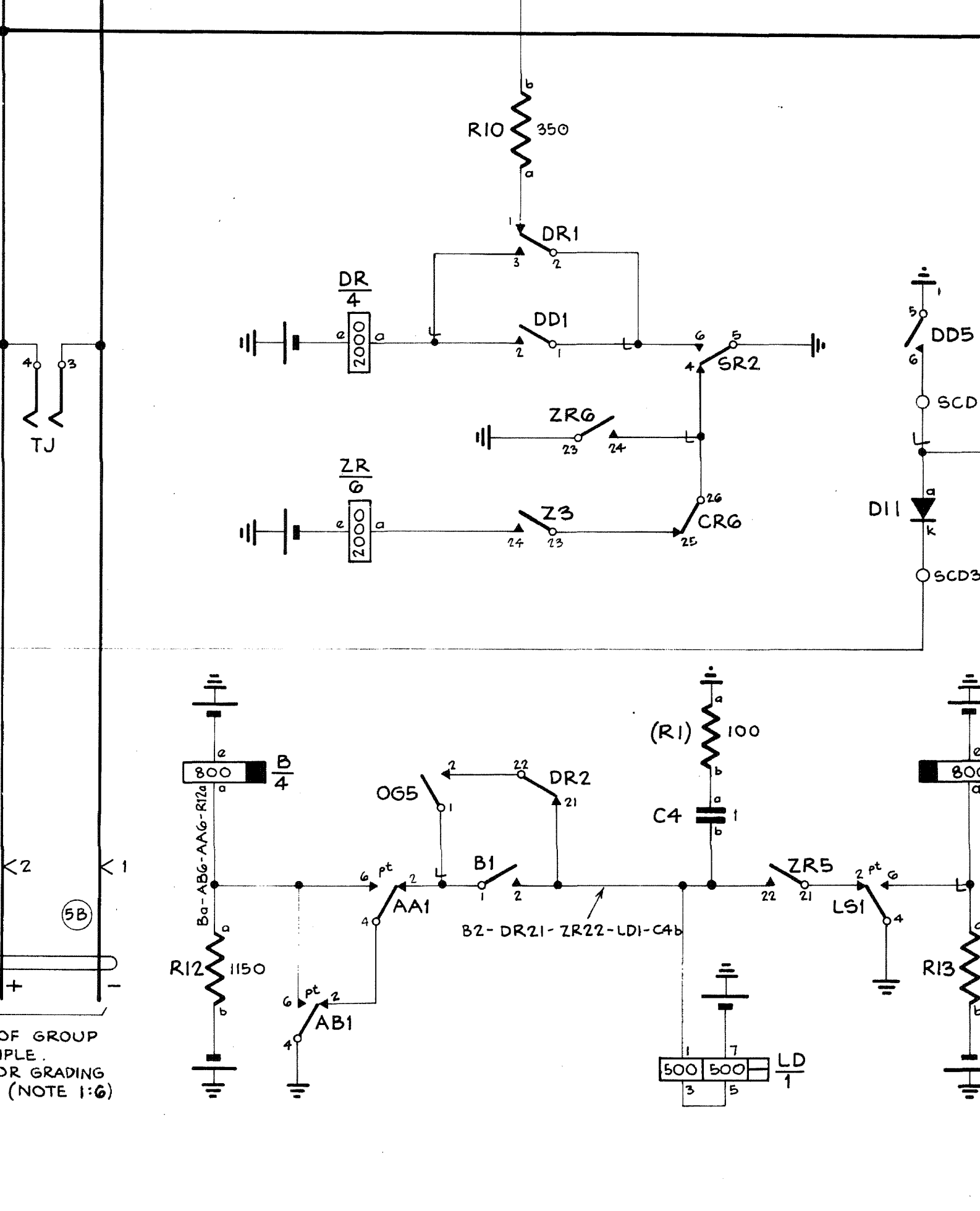
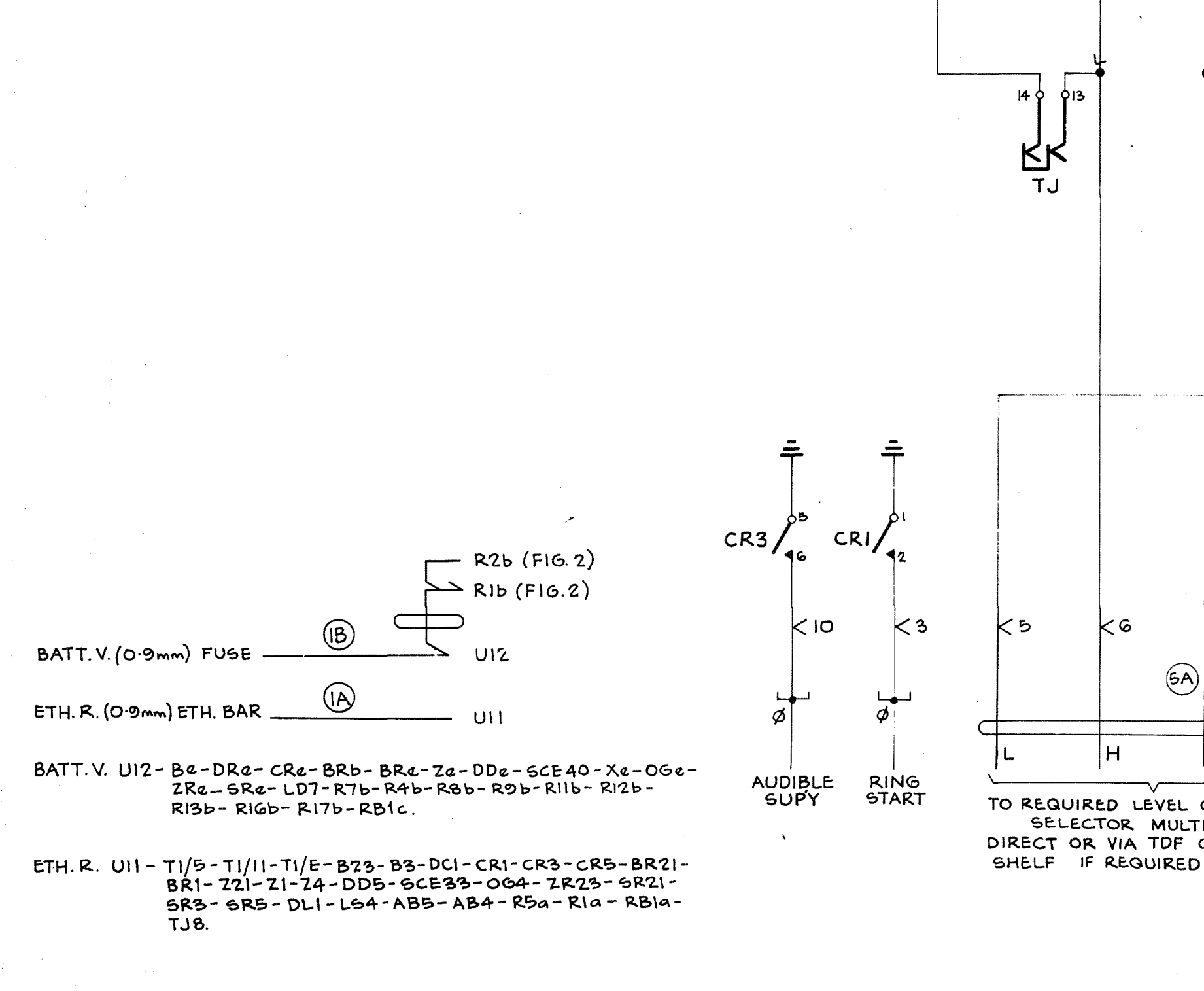


- NOTES**
- 1.1 FUSE 1.5A PER CIRCUIT.
 - 1.2 U POINTS 9-11 MAKE WHEN RELAY SET IS REMOVED.
 - 1.3 CONNECT STRAP X—X WHEN EXCHANGE PROHIBITION IS REQUIRED
 - 1.4 Ø FOR WIRING SEE GBW 14380 OR EQUIVALENT.
 - 1.5 SWITCHPLATE WIRING TO BE 0.5mm.
 - 1.6 WHERE THE ULTIMATE NUMBER OF AUTO-TO-AUTO TIE LINES IS 15 OR LESS, THEY WILL NORMALLY BE CABLED DIRECTLY TO THE SELECTOR MULT. OTHERWISE VIA A TDF OR GRADING SHELF.
 - 1.7 IF RING TONE LEVEL EXCEEDS -10dB (REF ER/TP 2033) CUT STRAP AND INSERT RIS OF APPROPRIATE VALUE.
 - 1.8 WHEN ACCESS IS PERMITTED TO THE PUBLIC NETWORK, THE 'L' OUTLETS OF LEV 1 ARE TO BE EARTHED TO OPERATE DL AND HENCE X.
 - 1.9 PROVIDE CONNS.—2—(6 STRAPS) AND OMIT—3—FOR LOOP SIGNALLING. PROVIDE CONNS.—3—(7 STRAPS) AND OMIT—2—FOR E&M SIGNALLING. ALL SCE STRAPS TO BE THREADED THROUGH TERMINAL FIXING HOLES.
 - 1.10 PERMANENT WIRING TO SCE TERMINATES ON THE INNER ENDS OF THE SOLDER TAGS.



FIRST USE: MINISTRY OF DEFENCE TANDEN PABX'S

ENTRY/EXIT SIGNALLING LIMIT ('SEND' PAIR) 1500 OHMS.

AMENDMENTS			ISSUE	DATE	APP.	SHEET	1 OF	2	SIZE	A1	BOV	W
NOTE 2.2 REFS. ADDED AT U21-22. (63309) (193958)	D		11.9.50	P.M.								
NOTE 1.9 AND NOTE 1.10 & 'EARLY EOP' REFS. DELETED.	C		13.2.51	W.J.H.								
SCE, R16-17, D2 & NOTE 1.11 AND NOTES 1.9 & 1.10 CHG'D (176432)	B		22.5.51	W.J.H.								
PREP'D. FROM GBW 14170 165 3 (14-11-1941) (102952)	A		18.8.70	W.J.H.								

NZPO	SCA	DRN	CHK.	WIRING	CIRCUIT
		GLE		R.F.H	DAKK

SLOW RELEASE		SLOW OPERATE	
<input type="checkbox"/>	<input type="checkbox"/>	<input type="checkbox"/>	<input type="checkbox"/>

BOTHWAY AUTO-TO-AUTO RELAY SET WITH OPERATOR ACCESS FOR 4-WIRE TIE LINES NZPO-300 TYPE P.A.B.X.

GBW 14170 MOD G