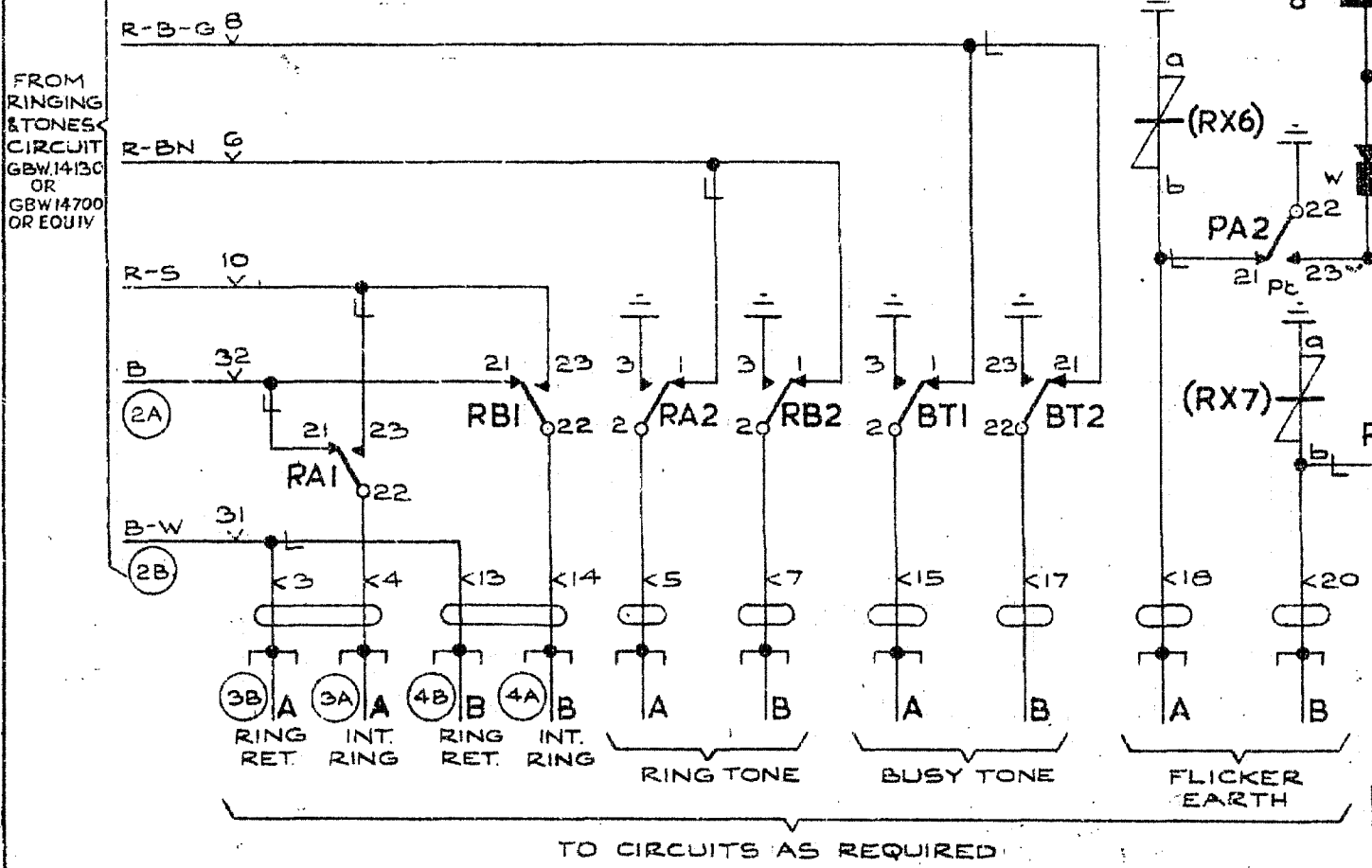
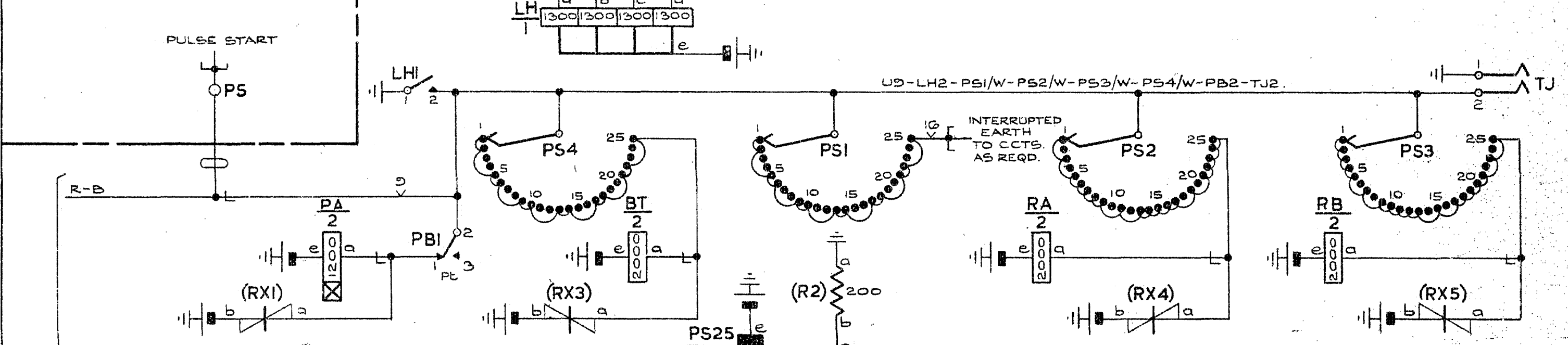
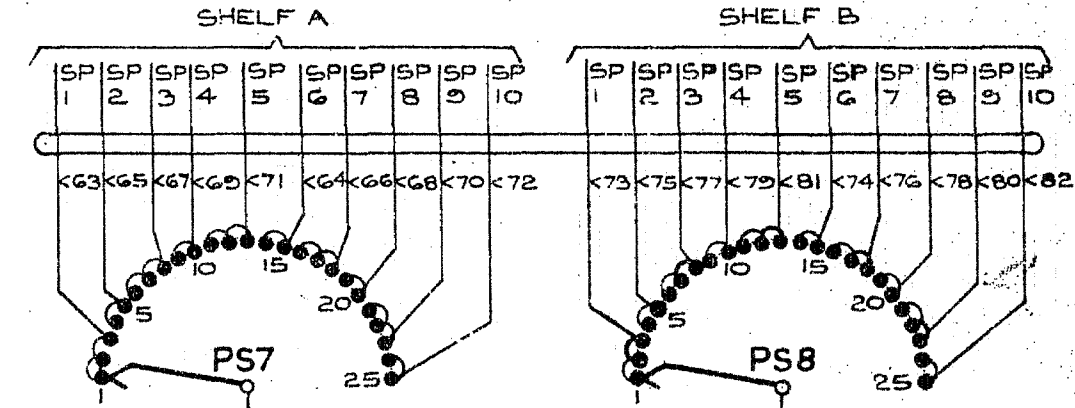
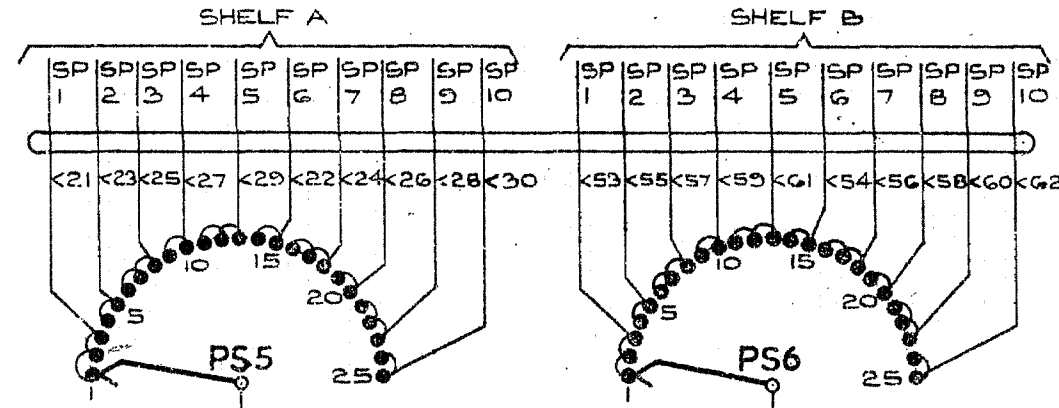
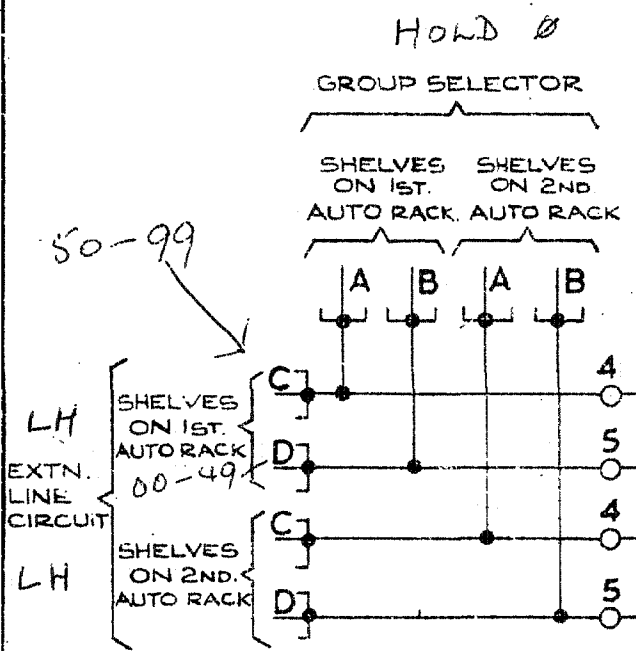


EXPLANATORY
COMMON SERVICES
TO OTHER CIRCUITS

START PULSES TO 1ST. AUTO RACK

START PULSES TO 2ND. AUTO RACK



NOTES:-
1. FUSE 1.5A PER CIRCUIT.
2. ALL WIRING BEARING A COLOUR CODE TO BE 22 SWG UNLESS OTHERWISE SHOWN. SWITCHPLATE WIRING TO BE 25 SWG.

BATT. BK. FUSE (1B) U12
ETH. R. ETH. BAR (1A) U11
BATT. W. U12-RAE-PAE-LHE-PSdm/e-BTe-PBe-RBe
ETH. R. U11-RA3-PA22-PA2-LH1-PSdj/1-BT23-BT3-RB3-C1a-C2a-C3a-R2a-TJ1.

SUPERSEDES GBW. 14140.

PULSE CIRCUIT 50/1200 LINE P.A.B.X.			
DESIGNATION AMENDMENT:	14494	2	12-9-58
	14428	1	3-9-58
AMENDMENT PARTICULARS	ISSUE DATE	APPD	SOV W
NZPO	DRAWN T.U.	CHECKED R.S.A.	WIRING CIRCUIT R.E.S.

GBW 14141