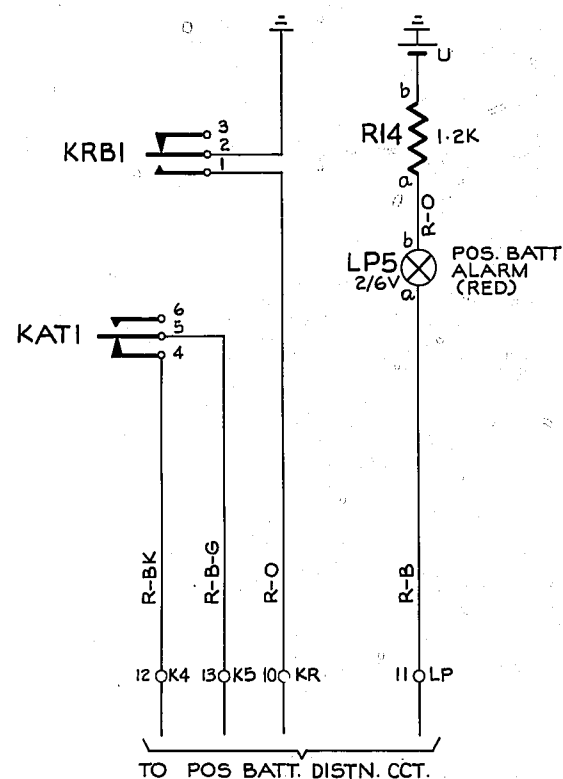


POS. BATT. CHARGE FAIL ALARM
(PROVIDED WHEN POS. BATT. SERVES
IVF EQUIPMENT).

FIG. 1C



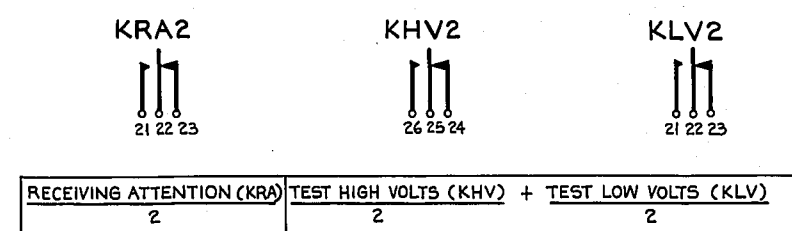
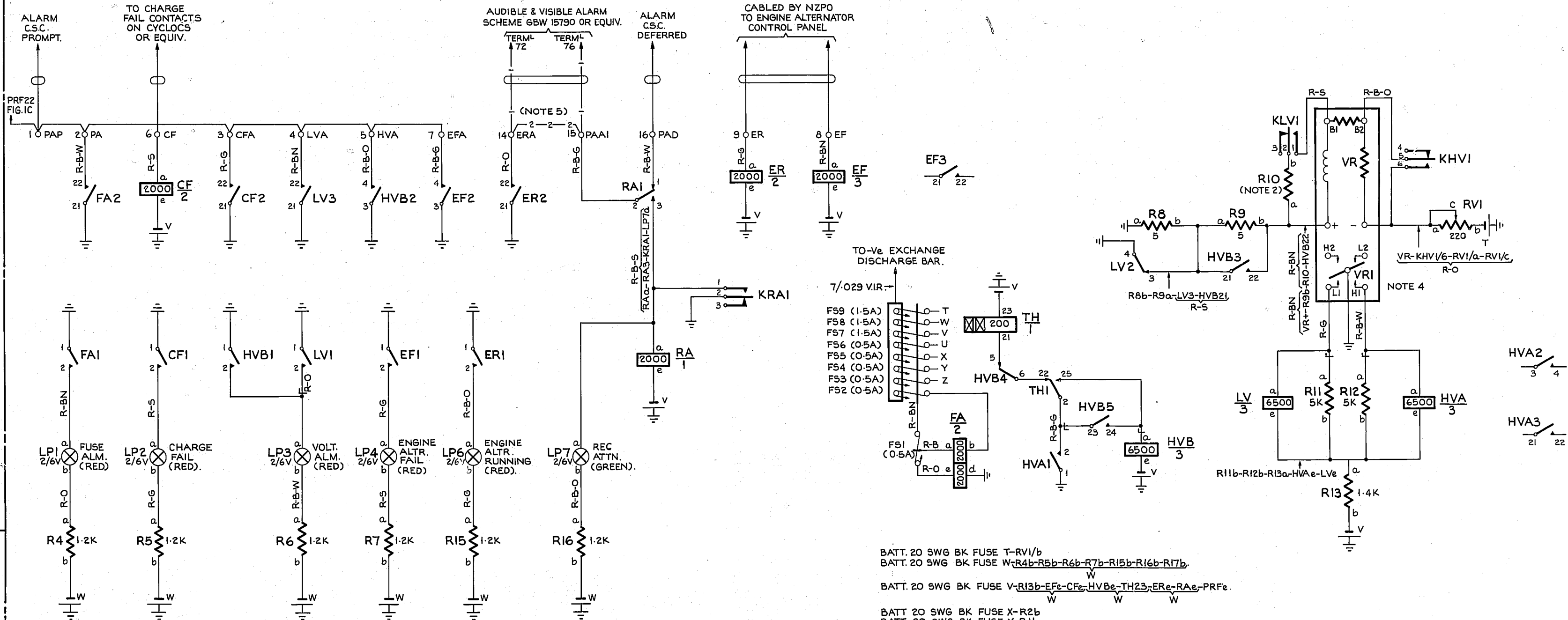
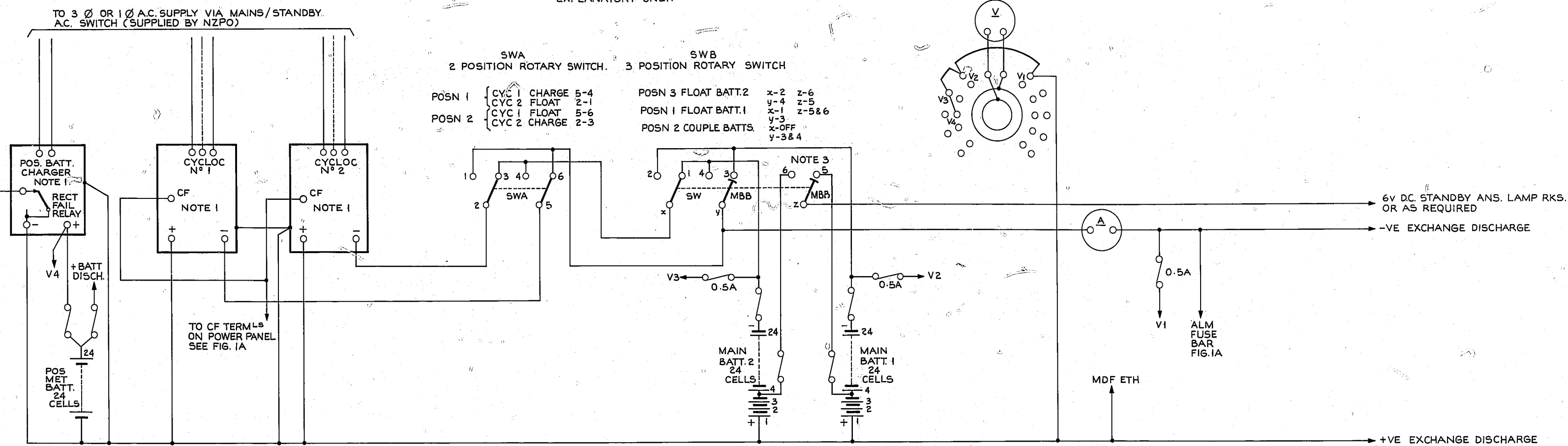
POS. BATT. ALARM
FITTED WHEN REQD.

FIG. 1B

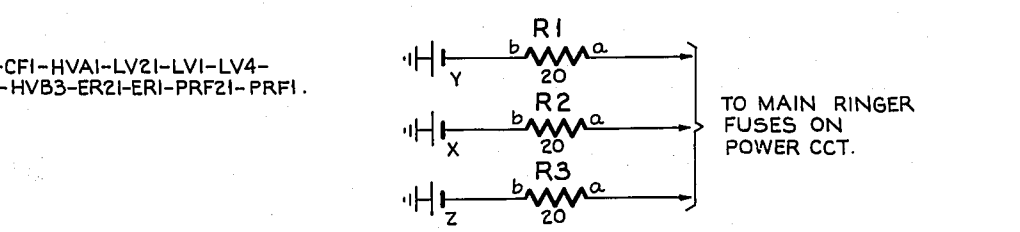
NOTES:-

1. CYCLOCS INCORPORATE BOOST CHARGE FACILITY, SMOOTHING EQUIPMENT, 4 POLE ISOLATOR & AMMETER. POS. BATT. CHARGE INCORPORATES AMMETER AND DP A.C. SWITCH
2. RESISTOR R10 IS SUPPLIED BY MAKER OF VOLTAGE RELAY.
3. 6V TAPS & ASSOCIATED CHANGE-OVER SWITCH ONLY REQUIRED AT EXCHANGES WITH TOLL SWITCHBOARD.
4. FOR CIRCUIT EXPLANATORY AND CONTACT VOLT-METER SETTINGS AND ADJUSTMENTS, SEE NOTES PR 1989 & DR6. NZPO 26148
5. WHEN EXCHANGE ALARM SCHEME IS TO GBW 15790 OR EQUIV. OMIT STRAP SHOWN - 2-2- AND PROVIDE CONNECTIONS SHOWN - 1-1-

POWER CIRCUIT
EXPLANATORY ONLY.



SUPERVISORY CIRCUIT
FIG. 1A



RETRACTED	(83788)	5A	31074	B5H
SUPPLY FAIL ALARM DELETED-EP, ALMS		5A	198.63	
REC APN FACILITY NOTE 5 & FIG. 1C ADD (74852)				
NOTES ALTERED ORIGIN CHANGED (24582)		6	20580	LRB
NOTES & TITLE AMND. (99574)		7	11.1.81	CEL
CKD	APD	AMENDMENT PARTICULARS	3	DATE APD
			SHT.	CF
			SIZE	50V
NZPO E-5 (POW) DRAWN CHECKED WIRING CIRCUIT A.H.H.				
GBW 14030				

D.C. POWER PLANT
CONTROL PANEL
(NZPO TYPE EM D)

