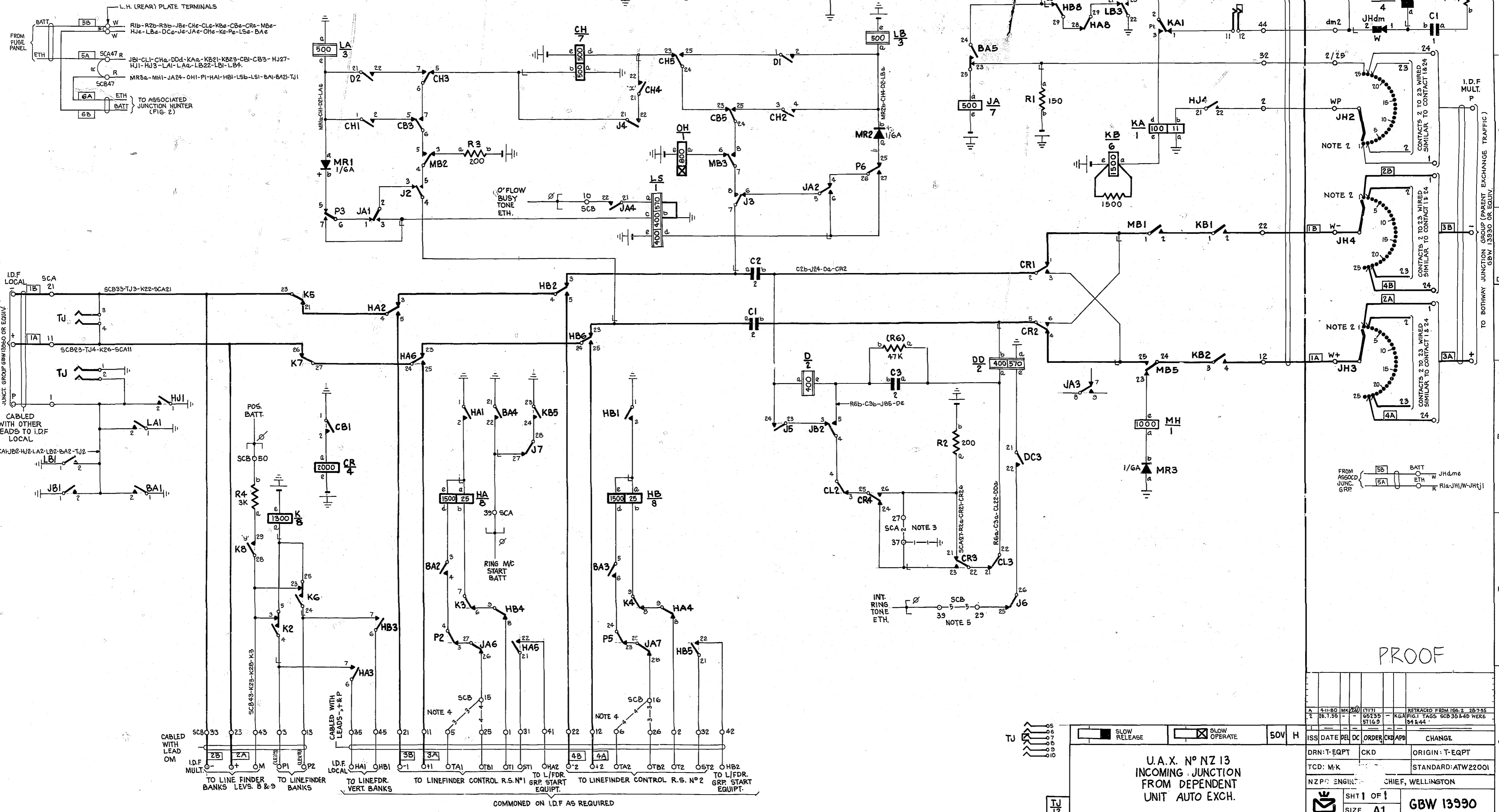


- NOTES:
- FUSE-1.0A PER CIRCUIT.
 - OUTLET 1 MULTIPLIED TO OUTLET 1 ON ODD UNISELRS & TO OUTLET 2 ON EVEN UNISELRS-OUTLET 2 MULTIPLIED TO OUTLET 2 ON ODD UNISELRS & TO OUTLET 1 ON EVEN UNISELRS-OUTLETS 3 TO 24 MULTIPLIED STRAIGHT ON UNISELRS.
 - INSERT STRAP SHOWN-1-1-WHEN PARENT EXCHANGE IS 50V OR 60V INSERT STRAP SHOWN-2-2-WHEN PARENT EXCHANGE IS 22V OR 40V.
 - CONNECT STRAPS SHOWN-3-3-WHEN LINE FDR. CONTROL R.S. N°1 IS FIRST CHOICE. CONNECT STRAPS SHOWN-4-4-WHEN LINE FDR. CONTROL R.S. N°2 IS FIRST CHOICE.
 - CONNECT STRAP SHOWN-5-5-ON DIRECT JUNCTION TO PARENT EXCHANGE.
 - ALL WIRING TO BE 0.6mm UNLESS OTHERWISE SPECIFIED. LOCAL PLATE WIRING TO BE 0.5mm.
 - Ø FOR WIRING SEE GBW 13730 OR EQUIVALENT.
 - FIG. 1 TERMS ARE ON STRIP CONNS. AS SPECIFIED:- SCA UPPER STRIP CONN. SCB LOWER STRIP CONN. AND ARE DESIGNATED SCA, SCB IN WIRING RUNS. FIG. 2 TERMS ARE ON 5 X 25 STRIP CONNS. AND ARE DESIGNATED SC IN WIRING RUNS.

FIG. 1

FIG. 2

JUNCT'N HUNTER



PROOF

ISS DATE	DEL DC	ORDER	CHK APP	CHANGE
DRN: T-EQPT	CKD	ORIGIN: T-EQPT		
TC: M.K		STANDARD: ATW22001		
NZ P.O. ENGINEER		CHIEF, WELLINGTON		
SHT 1 OF 1		GBW 13990		
SIZE A1				

U.A.X. N° NZ 13
INCOMING JUNCTION
FROM DEPENDENT
UNIT AUTO EXCH.

UD 237

5 Centimetres