

NZ NOTES

- A. WHEN RELAY SET IS USED ON NON METERED ROUTES DISCONNECT RINGING MACHINE START LEAD AT TERM 40.
- B. WHEN USED WITH NEC LOCAL REGISTER SYSTEM CONNECT WIRING \rightarrow X AND INSERT DIODE D4. REMOVE T.J. LINK 7 & 8.
- C. WHEN USED WITH NEC LOCAL REGISTER SYSTEM AS A BOTHWAY CIRCUIT CONNECT DIODE D5 AND WIRING \rightarrow O DIODE.

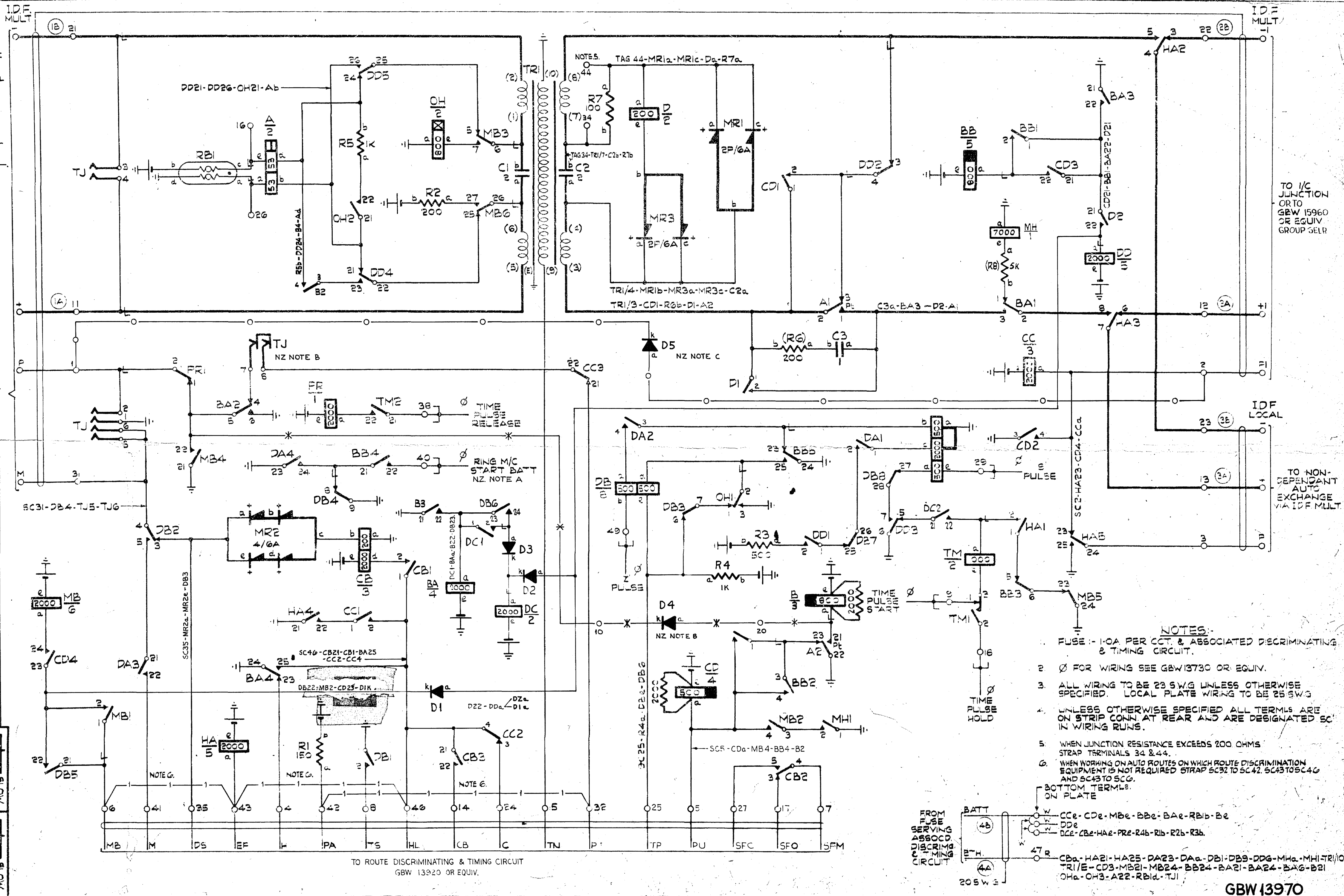
MINOR AND AMENDED TO NZD	5 C	18 10 82 HIG
AMENDED TO NZD	5 B	16 1 78 RSD
NZ NOTE A ADDED	5 A	5 12 73 RSD
NEW COY TCG INCORP	5	17 9 76 RSD
THE MULTITASK (H.P.) REFERENCE AMENED (69 6 73)	4	29 11 63 DBH
NOTE G & H (50 5 63) STRAPS WERE NOT SHOWN (GO 3342)	3	6 8 63 ZS
CONTACT UNIT 33 WAS NOT SHOWN (GO 3342)	2	2 9 52 TJS
CIRCUIT AMENDED (GO 3342)	1	20 5 52 TJS
AMENDMENT PARTICULARS	ISSUE DATE	APPD
1	20 5 52	TJS
2	2 9 52	TJS
3	6 8 63	ZS
4	29 11 63	DBH
5	17 9 76	RSD
5 A	5 12 73	RSD
5 B	16 1 78	RSD
5 C	18 10 82	HIG

GBW 13970

NON-DEPENDENT AUTO EXCHANGE

UAX No. NZ13 TO JUNCTION

SIZE M 50V



- NOTES:**
1. FUSE 1-10A PER CCT. & ASSOCIATED DISCRIMINATING & TIMING CIRCUIT.
 2. Ø FOR WIRING SEE GBW13730 OR EQUIV.
 3. ALL WIRING TO BE 23 SWG UNLESS OTHERWISE SPECIFIED. LOCAL PLATE WIRING TO BE 25 SWG
 4. UNLESS OTHERWISE SPECIFIED ALL TERMLS ARE ON STRIP CONN AT REAR AND ARE DESIGNATED SC IN WIRING RUNS.
 5. WHEN JUNCTION RESISTANCE EXCEEDS 200 OHMS STRAP TERMINALS 34 & 44.
 6. WHEN WORKING ON AUTO ROUTES ON WHICH ROUTE DISCRIMINATION EQUIPMENT IS NOT REQUIRED STRAP SC32 TO SC42, SC43 TO SC46 AND SC43 TO SC6.
- BOTTOM TERMLS ON PLATE
- FROM BATT
- RELAY SERVICE ASSOC'D DISCRIMINATING CIRCUIT
- CCe - CDe - MBe - BBe - BAe - RBb - Be
 DDe
 Dce - Cbe - HAe - Pre - R4b - R1b - R2b - R3b
- CBa - HA21 - HA25 - DA23 - DAa - DB1 - DB9 - DDg - MHa - MHI - TRI/O
 TRI/E - CD3 - MB21 - MB24 - BB24 - BA21 - BA24 - BA6 - B21
 CHa - CH3 - A22 - RB1d - TJI
- 205 W 5