

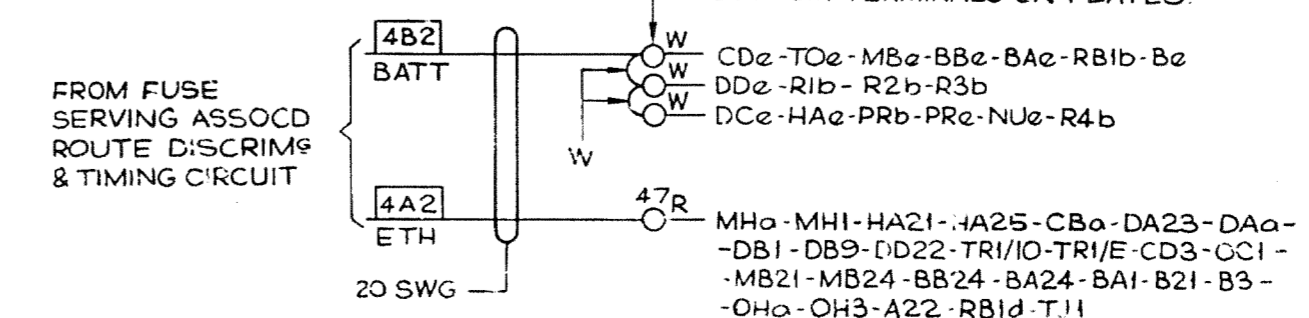
TO INCOMING JUNCTION GROUP GBW 13980 OR EQUIV OR TO GBW 15960 OR EQUIV GROUP SELR VIA IDF LOCAL.

TO NON-DEPENDENT AUTO EXCH VIA IDF MULT.

- NOTES:
- FUSE - 1.0A PER CCT & ASSOCIATED ROUTE DISCRIMINATING & TIMING CIRCUIT.
 - Ø FOR WIRING SEE GBW 13730 OR EQUIV.
 - ALL WIRING TO BE 23 SWG UNLESS OTHERWISE SPECIFIED. LOCAL PLATE WIRING TO BE 25 SWG.
 - RELAY 'OC' IS DIFFERENTIALLY CONNECTED.
 - UNLESS OTHERWISE SPECIFIED ALL TERMINALS ARE ON STRIP CONN. AT REAR AND ARE DESIGNATED 'SC' IN WIRING RUNS.
 - WHEN JUNCTION RESISTANCE EXCEEDS 200 OHMS STRAP TERMINALS 34 & 44.
 - STRAP SC32 TO SC42 & SC 43 TO SC46.
 - LEADS AND RELAYS INEFFECTIVE WHEN R/S USED IN THIS MODIFIED FORM.
- NZ NOTES:
- WHEN USED WITH NEC LOCAL REGISTER SYSTEM CONNECT WIRING * AND INSERT DIODE D1. REMOVE TJ LINK 7 & 8.
 - WHEN USED WITH NEC LOCAL REGISTER SYSTEM AS A BOWTHAY CIRCUIT CONNECT DIODE D2 AND WIRING -Ø.

THIS MOD A CCT CAN BE USED IN LIEU OF GBW 16831.

<input type="checkbox"/> SLOW RELEASE <input checked="" type="checkbox"/> SLOW OPERATE		UAX N° NZ 13 O/G JUNCTION TO NON-DEPENDENT AUTO EXCH WITH I/C JUNCTION BARRING FACILITY.	
CI POSN CHANGED, D3 ADDED NZM-UP (176383) AMD. TO NZM GP (176026) PREPARED FROM GBW 13960 ISS 6 (1225B1)	C 2 10 81 JR B 26 178 RED A 18 274 BS-H	AMENDMENT PARTICULARS ISSUE DATE APPD	SIZE A1 50V H
NZPO	DRAWN	CHECKED	WIRING CIRCUIT
			GBW 13960 MOD A.



FROM GROUP SELR LEVELS VIA IDF LOCAL

NOTE 8

BOTTOM TERMINALS ON PLATES