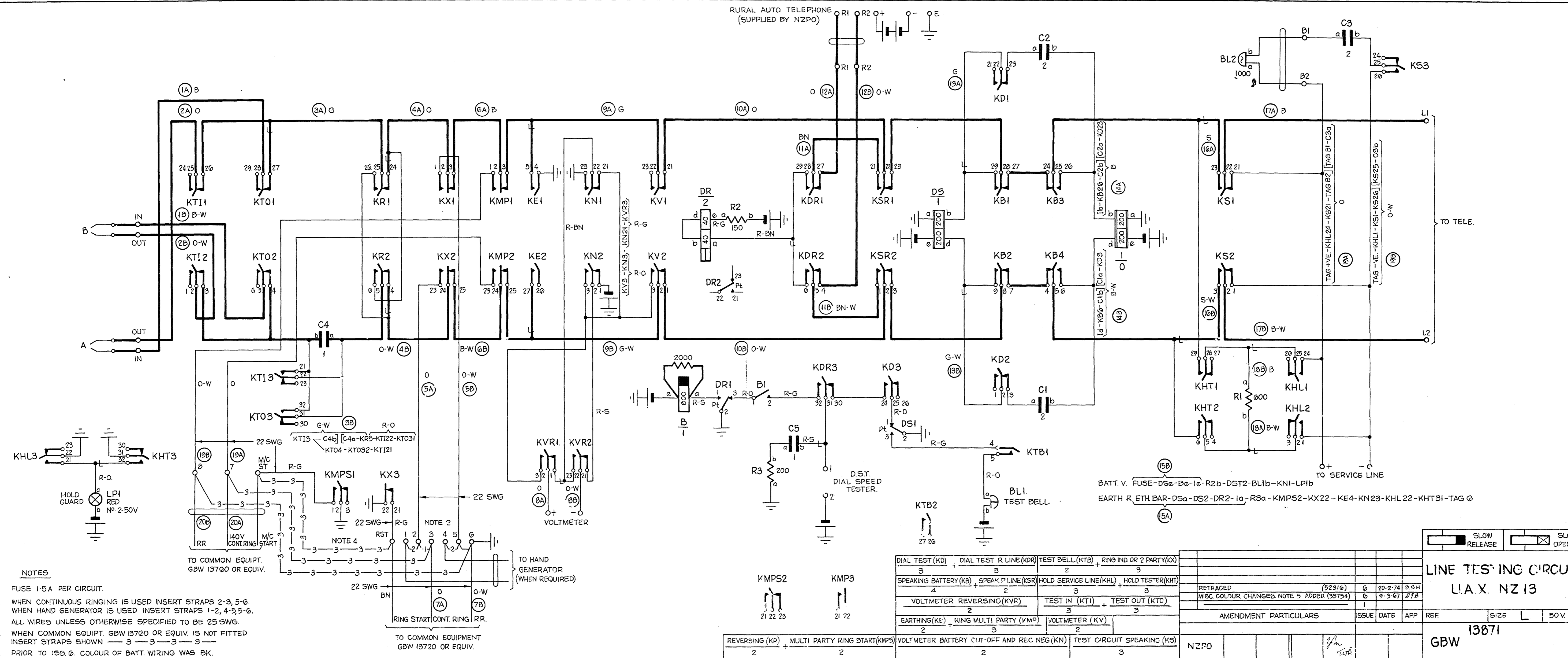


RURAL AUTO TELEPHONE  
(SUPPLIED BY NZPO)



- NOTES**
- FUSE 1.5A PER CIRCUIT.
  - WHEN CONTINUOUS RINGING IS USED INSERT STRAPS 2-3, 5-6. WHEN HAND GENERATOR IS USED INSERT STRAPS 1-2, 4-5, 5-6.
  - ALL WIRES UNLESS OTHERWISE SPECIFIED TO BE 25 SWG.
  - WHEN COMMON EQUIPT. GBW 13760 OR EQUIV. IS NOT FITTED INSERT STRAPS SHOWN 3-3-3-3-3-3
  - PRIOR TO ISS. COLOUR OF BATT. WIRING WAS BK.

DIAL TEST (KD)	DIAL TEST R LINE (KDR)	TEST BELL (KTB) + RING IND OR 2 PARTY (KX)				
3	3	2	3			
SPEAKING BATTERY (KB)	SPEAK P LINE (KSR)	HOLD SERVICE LINE (KHL) + HOLD TESTER (KHT)				
4	2	3	3			
VOLTMETER REVERSING (KVR)	TEST IN (KTI) + TEST OUT (KTO)					
2	3	3				
EARTHING (KE) + RING MULTI PARTY (KMP)	VOLTMETER (KV)					
2	2					
REVERSING (KR) + MULTI PARTY RING START (KMP5)	VOLTMETER BATTERY CUT-OFF AND REC NEG (KN)	TEST CIRCUIT SPEAKING (KS)				
2	2	3				

**LINE TESTING CIRCUIT**  
U.A.X. NZ 13

AMENDMENT PARTICULARS

ISSUE DATE APP REF SIZE L 50V. C

13871

GBW