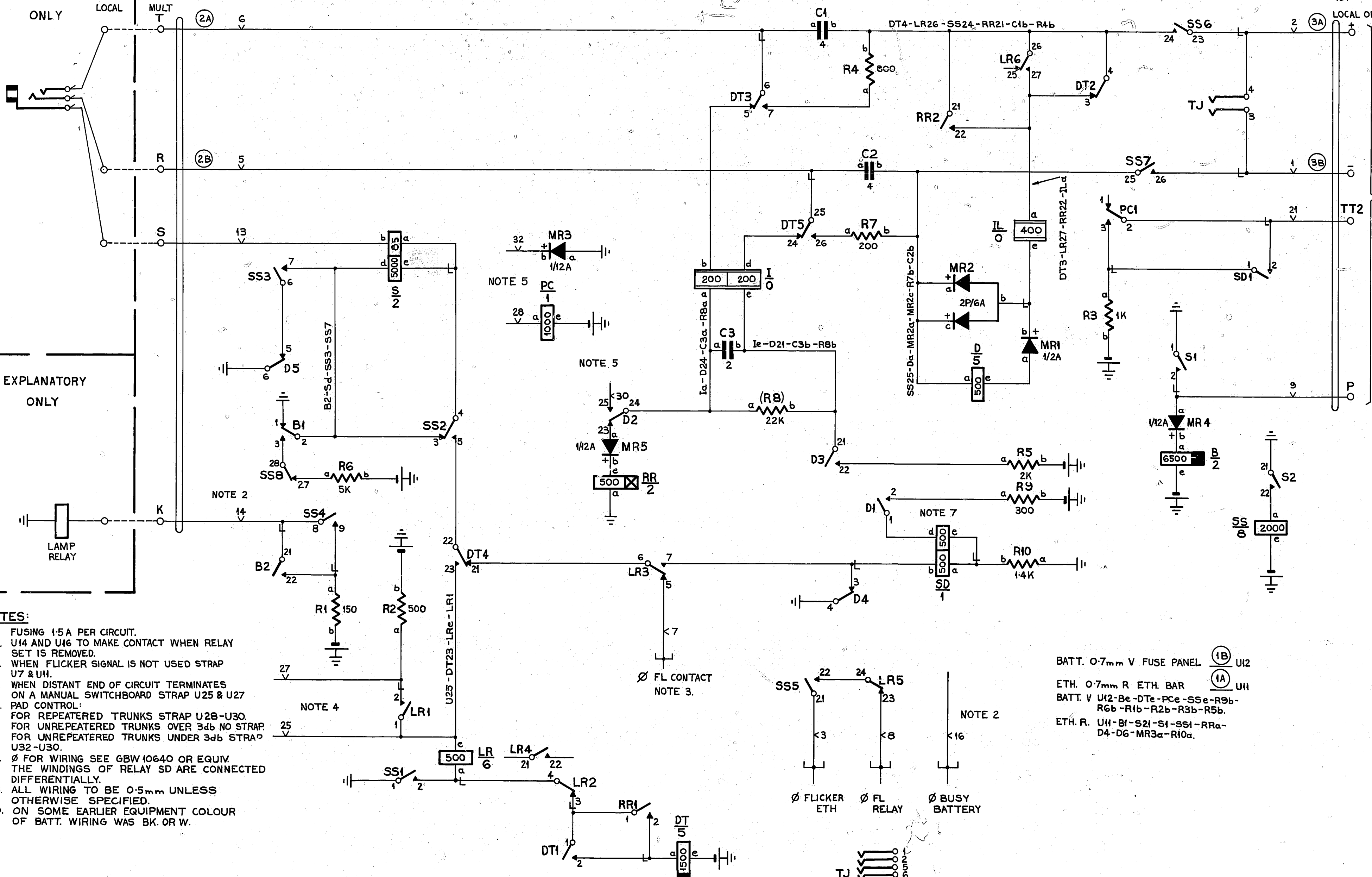


MANUAL BOARD
EXPLANATORY ONLY

MAN. I.D.F.
LOCAL MULT T

IDF
LOCAL OR MULT.



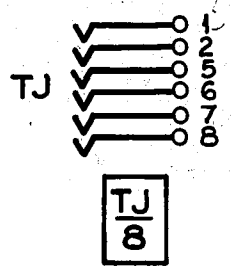
TO O/G I.V.F.
LINE CIRCUIT
GBW 11680 OR
GBW 12660.

- NOTES:**
1. FUSING 1.5A PER CIRCUIT.
 2. U14 AND U16 TO MAKE CONTACT WHEN RELAY SET IS REMOVED.
 3. WHEN FLICKER SIGNAL IS NOT USED STRAP U7 & U11.
 4. WHEN DISTANT END OF CIRCUIT TERMINATES ON A MANUAL SWITCHBOARD STRAP U25 & U27.
 5. PAD CONTROL:
FOR REPEATED TRUNKS STRAP U28-U30.
FOR UNREPEATED TRUNKS OVER 3db NO STRAP.
FOR UNREPEATED TRUNKS UNDER 3db STRAP U32-U30.
 6. Ø FOR WIRING SEE GBW 10640 OR EQUIV.
 7. THE WINDINGS OF RELAY SD ARE CONNECTED DIFFERENTIALLY.
 8. ALL WIRING TO BE 0.5mm UNLESS OTHERWISE SPECIFIED.
 9. ON SOME EARLIER EQUIPMENT COLOUR OF BATT. WIRING WAS BK. OR W.

BATT. 0.7mm V FUSE PANEL (1B) U12
ETH. 0.7mm R ETH. BAR (1A) U11
BATT. V U12-Be-DTe-PCe-SSe-R9b-
R6b-R1b-R2b-R3b-R5b.
ETH. R. U11-B1-S21-S1-SS1-RRa-
D4-D6-MR3a-R10a.

NOTE 2
Ø FLICKER ETH
Ø FL RELAY
Ø BUSY BATTERY

NOTE 7



				O/G JUNCTION FROM SLEEVE CONTROL SWITCHBOARD	
				LOOP DIALLING FOR USE WITH	
				O/G I.V.F. LINE CIRCUIT	
AMENDMENT		PARTICULARS		ISSUE	DATE
1		SS1. ETH WAS SHOWN AS BATT.		6 B	20.5.80
2		RETRACED		6 A	5.9.78
3		CONNECTION TO LR25 DELETED		6	30.11.77
4					
5					
6					
7					
8					
9					
10					
11					
12					
13					
14					
15					
16					
17					
18					
19					
20					
21					
22					
23					
24					
25					
26					
27					
28					
29					
30					
31					
32					
33					
34					
35					
36					
37					
38					
39					
40					

