

FIG. 1A

FIG. 1C

MANUAL BOARD
EXPLANATORY ONLY

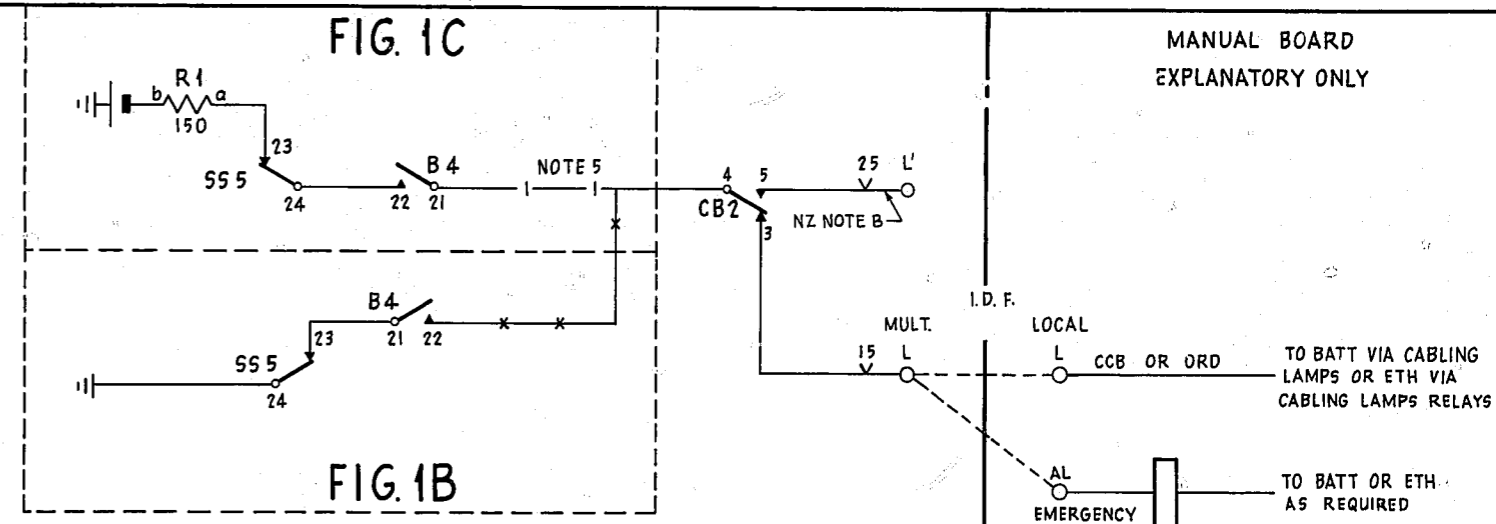
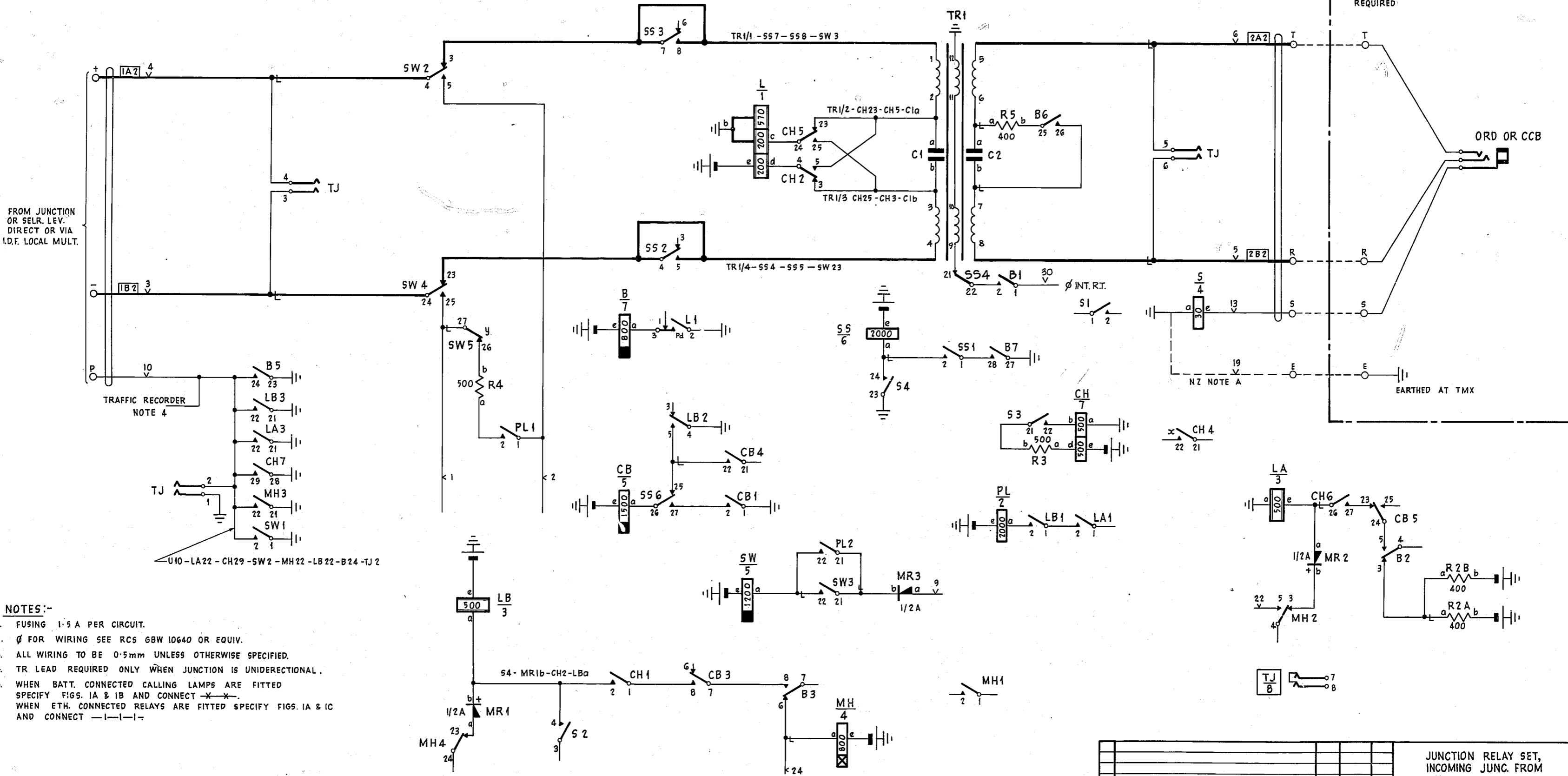


FIG. 1B



- NOTES:-**
- FUSING 1.5 A PER CIRCUIT.
 - Ø FOR WIRING SEE RCS GBW 10640 OR EQUIV.
 - ALL WIRING TO BE 0.5mm UNLESS OTHERWISE SPECIFIED.
 - TR LEAD REQUIRED ONLY WHEN JUNCTION IS UNIDIRECTIONAL.
 - WHEN BATT. CONNECTED CALLING LAMPS ARE FITTED SPECIFY FIGS. 1A & 1B AND CONNECT -X-X-. WHEN ETH. CONNECTED RELAYS ARE FITTED SPECIFY FIGS. 1A & 1C AND CONNECT -| -| -| -

- NZ NOTES:-**
- AT PLM. NTH. DISCONNECT ETH FROM 5a ADD CONNECTIONS SHOWN
 - AT SOME INSTALLATIONS U25 IS CABLED TO IDF

BATT. BK 0.7mm FUSE 3B2 V12 - W - CBe - SSe - PLe - Le - CHE - SWe - MHe - LBe - Be - (R1b) - R2Ab - R2Bb
 ETH. R 0.7mm ETH BAR 3A2 V11 - R - TR1/2 - CB1 - LA21 - LAa - S23 - 5a - (S524) - Lb - L4 - CH2B - CHa - SW1 - MH21 - L321 - LB4 - B23 - B27 - TJ1

JUNCTION RELAY SET, INCOMING JUNC. FROM NEC X-BAR LX FOR WE.CO. BC5 SWBD 2000 TYPE			
TR1 CHANGED	(55812)	C	17-2-76 CJW
L RELAY CODE REVISED	(68400)	B	27-1-75 B.S.H.
	(122541)	A	23-9-74 B.S.H.
AMENDMENT PARTICULARS	ISSUE	DATE	APP
DRAWN CHECKED			WIRING CIRCUIT
M.H.			
GBW			13820 MOD A