

5 Centimetres

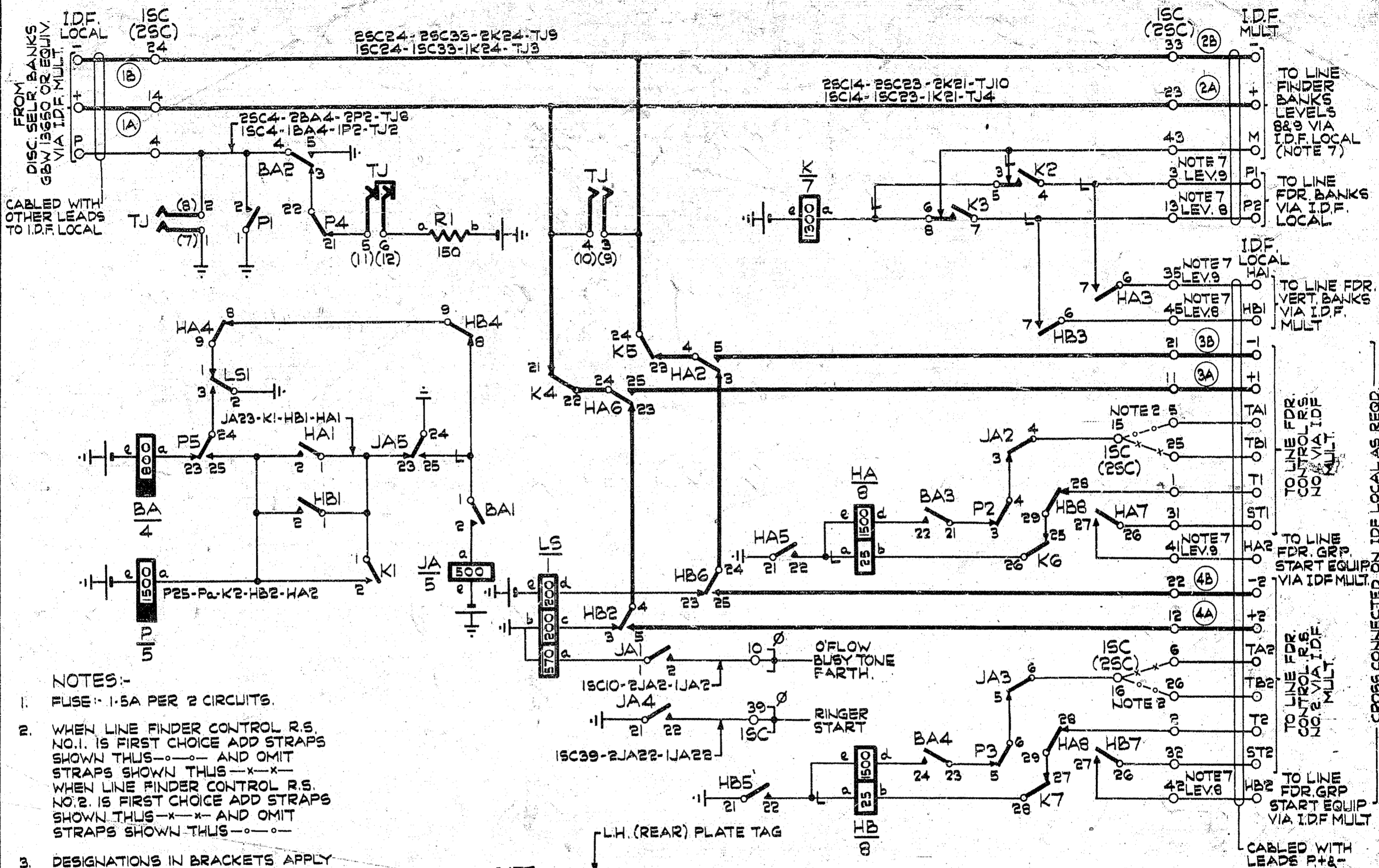
10

15

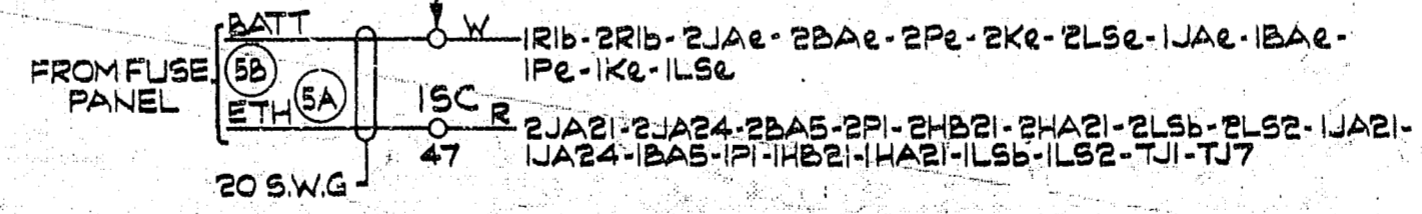
20

25

30



- NOTES:-**
1. FUSE: 1.5A PER 2 CIRCUITS.
  2. WHEN LINE FINDER CONTROL R.S. NO.1. IS FIRST CHOICE ADD STRAPS SHOWN THIS AND OMIT STRAPS SHOWN THIS WHEN LINE FINDER CONTROL R.S. NO.2. IS FIRST CHOICE ADD STRAPS SHOWN THIS AND OMIT STRAPS SHOWN THIS
  3. DESIGNATIONS IN BRACKETS APPLY TO SECOND CIRCUIT WHEN REQUIRED
  4. Ø FOR WIRING SEE GBW 13730 OR EQUIV.
  5. ALL WIRING TO BE 23 S.W.G UNLESS OTHERWISE SPECIFIED. LOCAL PLATE WIRING TO BE 25 S.W.G.
  6. TERMINALS ARE ON STRIP CONNS. AS SPECIFIED:  
 ISC - L.H. STRIP CONN. (REAR VIEW)  
 25C - R.H. STRIP CONN. (REAR VIEW)  
 AND ARE DESIGNATED ISC, 25C IN WIRING RUNS.
  7. LEVELS 8 & 9 REFER TO NZ.P.O. REVERSED DIAL NUMBERING SCHEME.



		6LW 25.5A-5		5LW 3P52AT5	
UAX. No. NZ 13 INCOMING JUNCTION FROM ATTACHED UAX. No. NZ 13R					
		(30844)	1	3.8.54	AWH
AMENDMENT PARTICULARS			ISSUE	DATE	A???
N.Z.P.O.		DRAWN	CHECKED	WIRING	CIRCUIT
		RL	AWH/53	AWH	25.12.53
				SIZE	S 50Y
<b>GBW 13780</b>					

CROSS CONNECTED ON IDF LOCAL AS REQD.