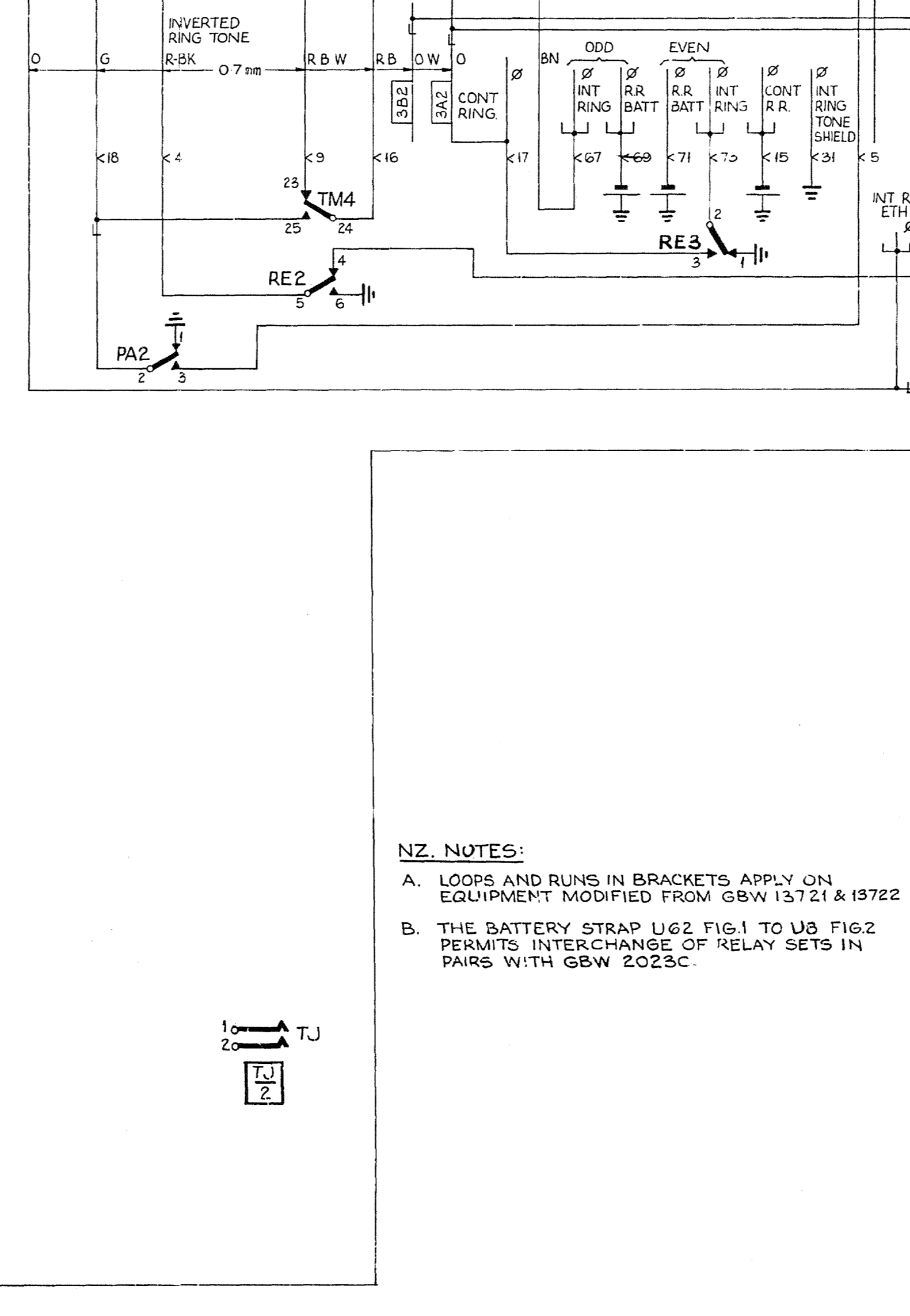
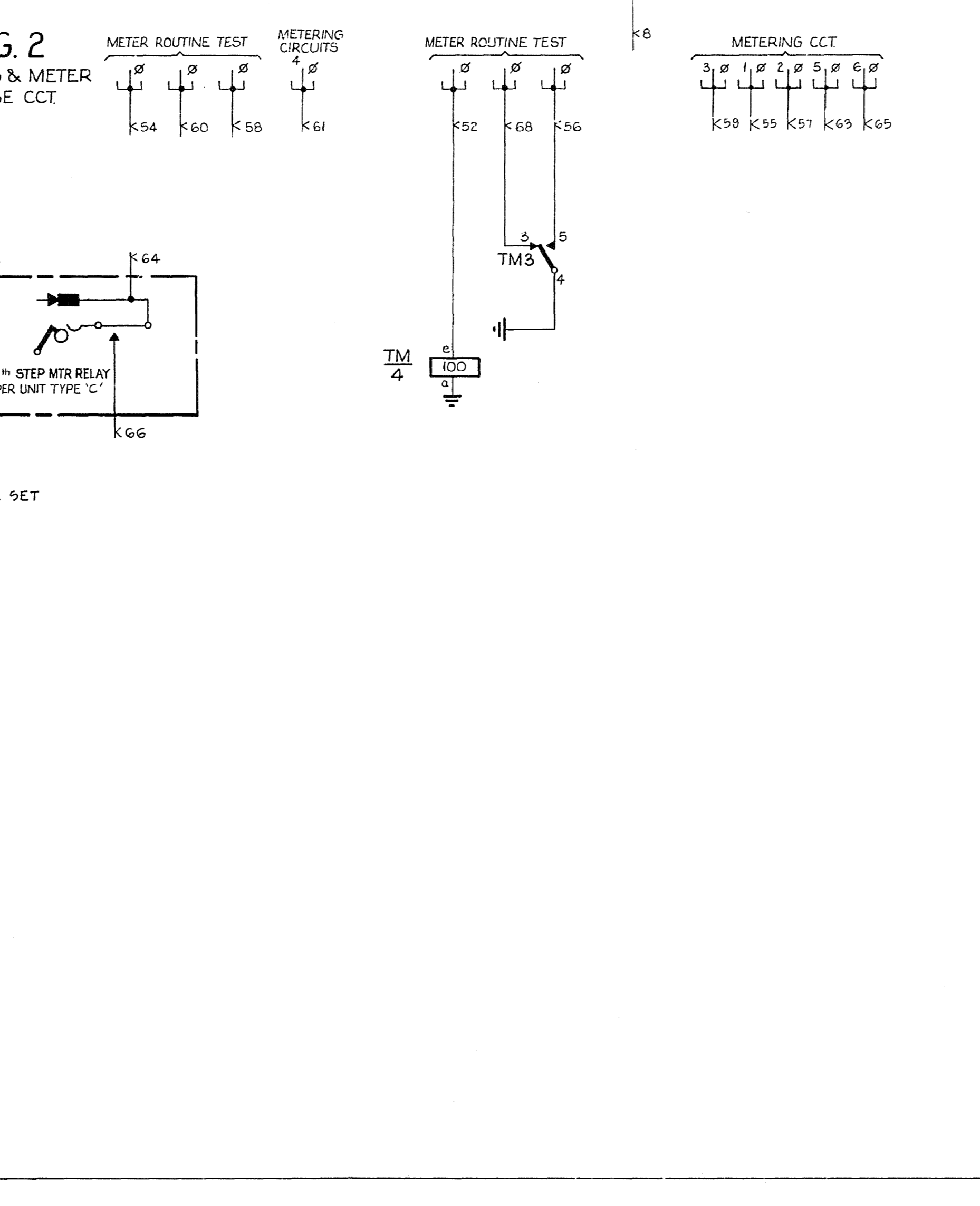
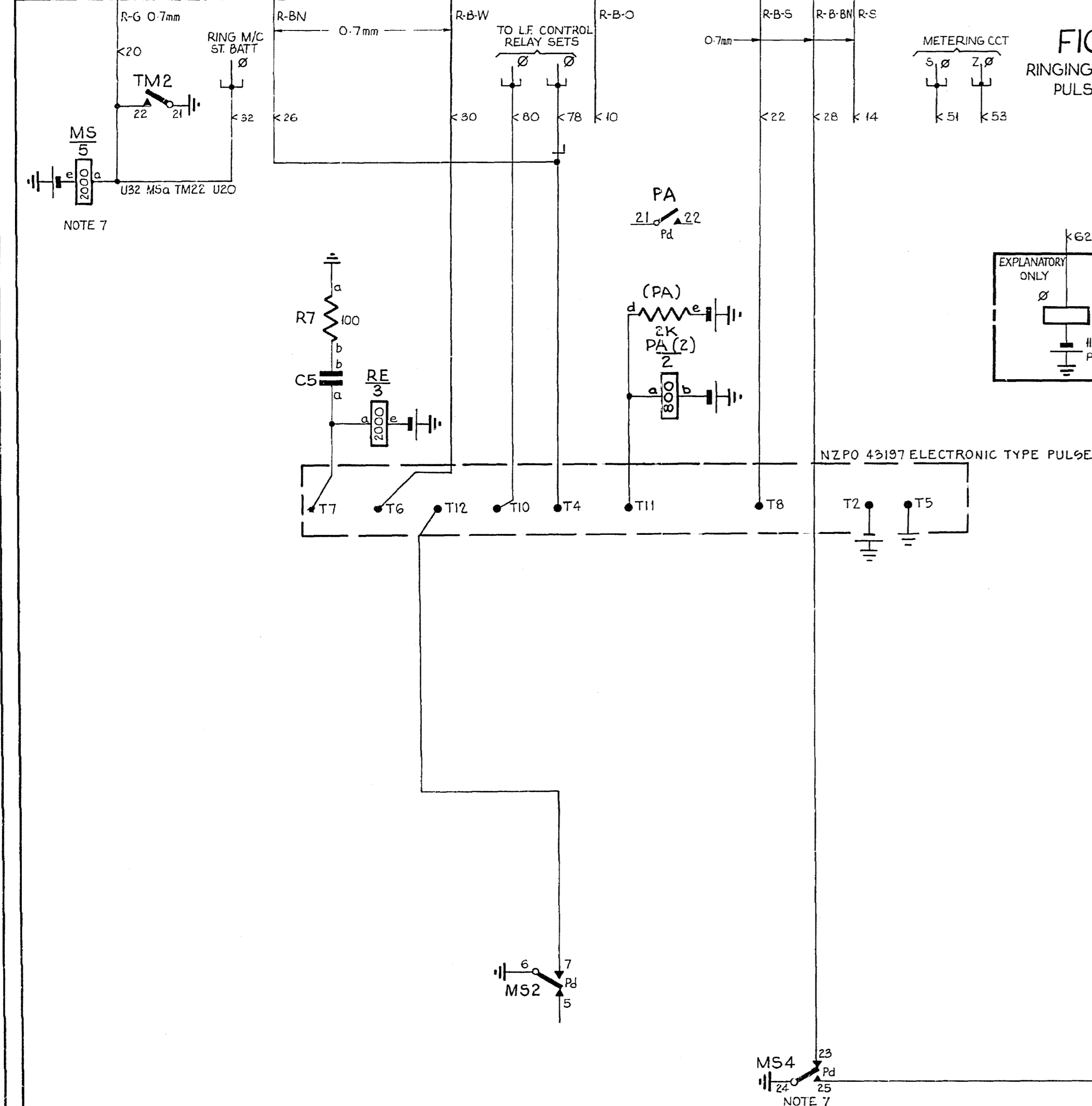
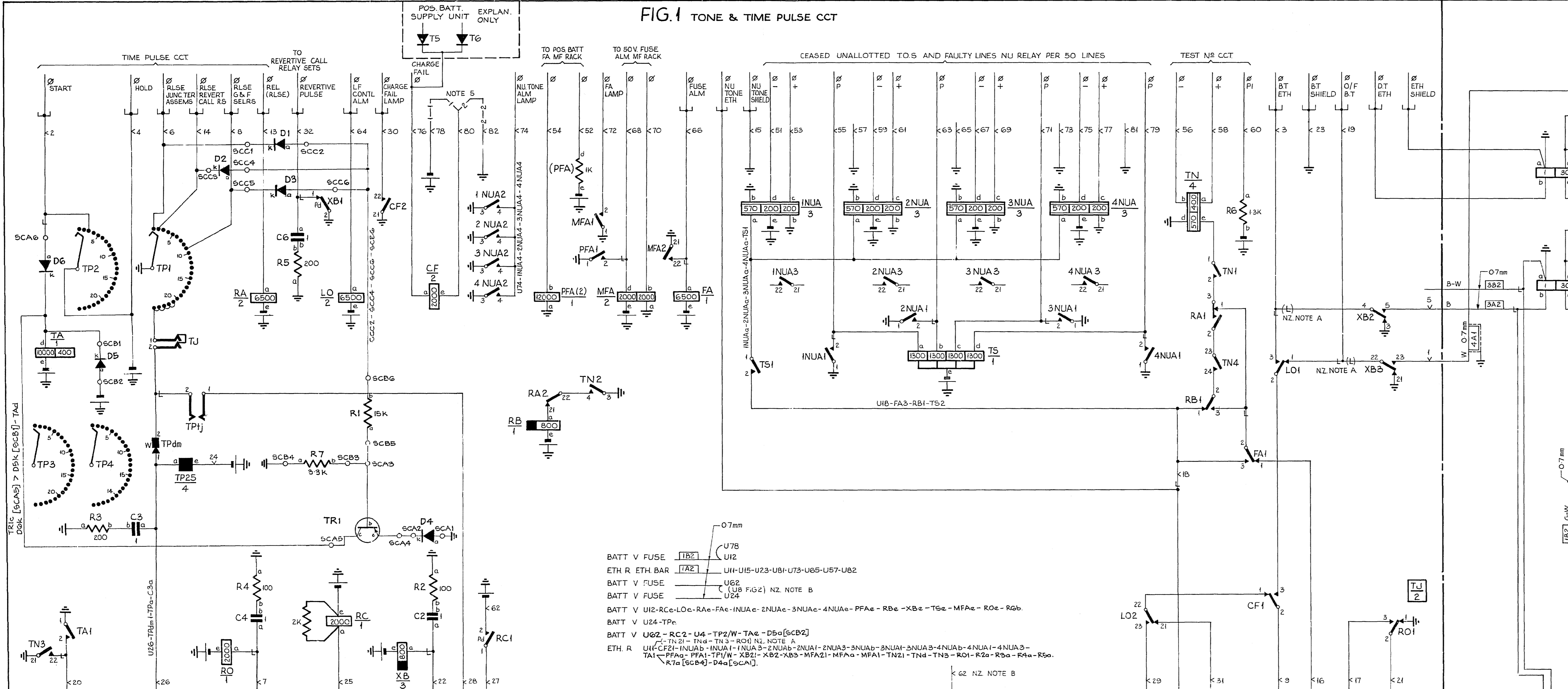


FIG. 1 TONE & TIME PULSE CCT

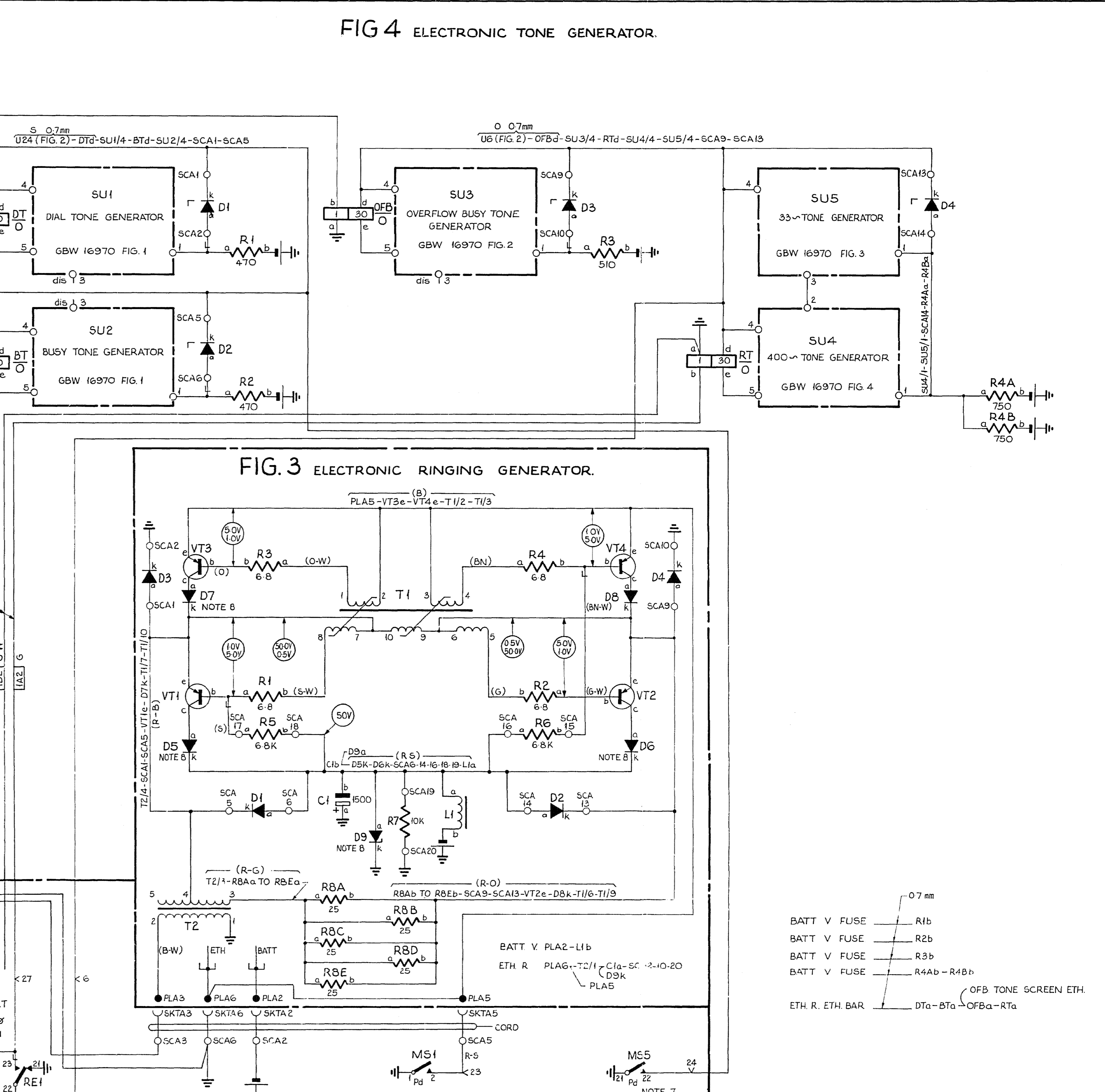


NOTE 7

NOTE 7

NOTE 7

FIG. 4 ELECTRONIC TONE GENERATOR

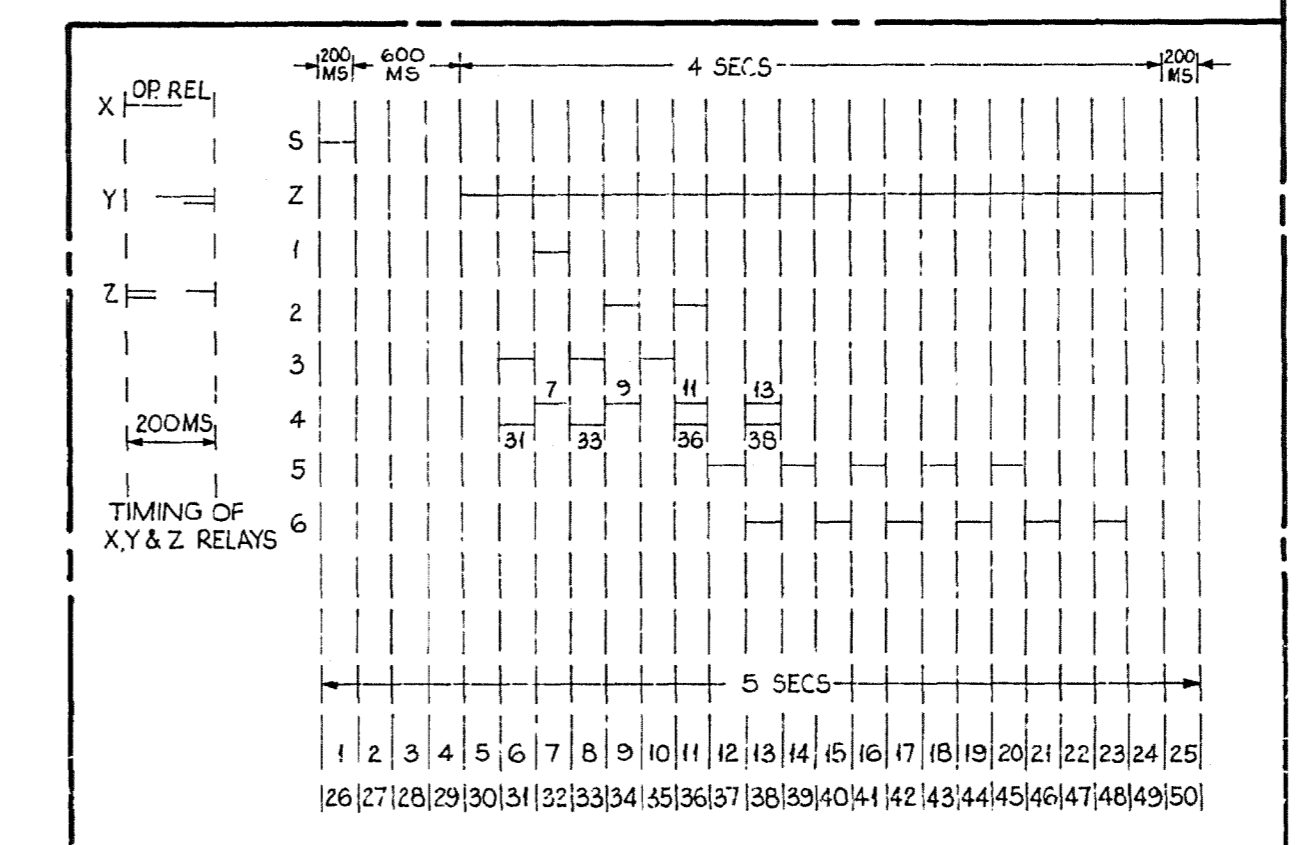


- FUSING:**
- FIG. 1 15A PER CCT (RELAYS)
  - 10A PER CCT (UNISEL, TP)
  - 4.5A PER CCT (METER PULSES)
- FIG. 2 15A PER CCT (RELAYS & UNISEL, MP)**
- 0.5A PER CCT (RING RETURN BATT ODD)
  - 0.5A PER CCT (RING RETURN BATT EVEN & CONT. RING RETURN BATT)
- FIG. 3 90A PER CCT**
- FIG. 4 0.5A PER CCT (SU1)**
- 0.5A PER CCT (SU2)
  - 0.5A PER CCT (SU3)
  - 0.5A PER CCT (SU4 & SU5)

- NOTES:**
- FIG. 1 SHELF JACK U-PTS 79 & 81, 55 & 57, 63 & 65, 71 & 73 TO MAKE CONTACT WHEN RELAY SET IS REMOVED.
  - ALL WIRE TO BE 0.5mm UNLESS OTHERWISE SPECIFIED.
  - Ø FOR WIRING SEE GBW 13730 OR EQUIV.
  - INSERT STRAPS SHOWN THUS -1-1- OR THUS -2-2- AS REQD.
  - CONTACT UNIT "PA" WAS ORIGINALLY SUPPLIED WITH SILVER CONTACTS WHEN REPLACEMENT IS NECESSARY PALLADIUM CONTACTS MUST BE USED.
  - ON EQUIPMENT MODIFIED FROM GBW 13721 AND GBW 13722 MS RELAY MAY BE BELINGAP WITH CONTACT UNIT MS6 WIRED IN PLACE OF CONTACT UNIT MS5 LEFT SPARE. CONTACT UNITS MS3 AND MS4 WITH SILVER CONTACTS.
  - ØØØS D5-D9 ARE FITTED ON EQUIPT. MANUFACTURED TO ISS.7 AND SUBSEQUENT ISS ONLY.

**NZ. NOTES:**

- LOOPS AND RUNS IN BRACKETS APPLY ON EQUIPMENT MODIFIED FROM GBW 13721 & 13722
- THE BATTERY STRAP U62 FIG.1 TO U63 FIG.2 PERMITS INTERCHANGE OF RELAY SETS IN PAIRS WITH GBW 2023C.



SUPERSEDES GBW 13721 & GBW 13722	
A2 & P22 DELETED PA ADDED (54591)	7F 1-745 (60G)
ELECTRONIC TONE GENERATOR (42471) AND (42471) 7F	1-745 (60G)
11th STEP MTR RELAY PER UNIT TYPE 'C' (22400) 7F	7F 3-27 (60G)
POS BATT SUPPLY UNIT ADDED (13247) 7F	7F 3-27 (60G)
RI CHANGED R1, T1, D1-6 ADDED D1 ADDED FIG.2 7B	10-576 (60G)
NZM R1 (193412)	10-576 (60G)
11th STEP MTR RELAY PER UNIT TYPE 'C' (22400) 7F	7F 3-27 (60G)
RETRACTED NZ NOTES A-D DEL ISS ADVANCED FROM 5C NOTE B & ASSOC. DIODES & STRAP PLA5-PLA6 ADD (122400)	7 201174 (251)
NOTE 7 ADD FIG 2-R ADD NOTE 6 & WIRING MTR & C4a AND COM MPH TO MS5 DELETED	6
AMENDMENT PARTICULARS	ISS DATE APPD
NZPO	GBW 13723

UAX NZ 13 COMMON EQUIPT. RINGING TONE & PULSES USING ELECTRONIC GENERATOR