

POS. BATT. SUPPLY UNIT EXPLAN. ONLY

FIG. 1. TONE & TIME PULSE CIRCUIT.

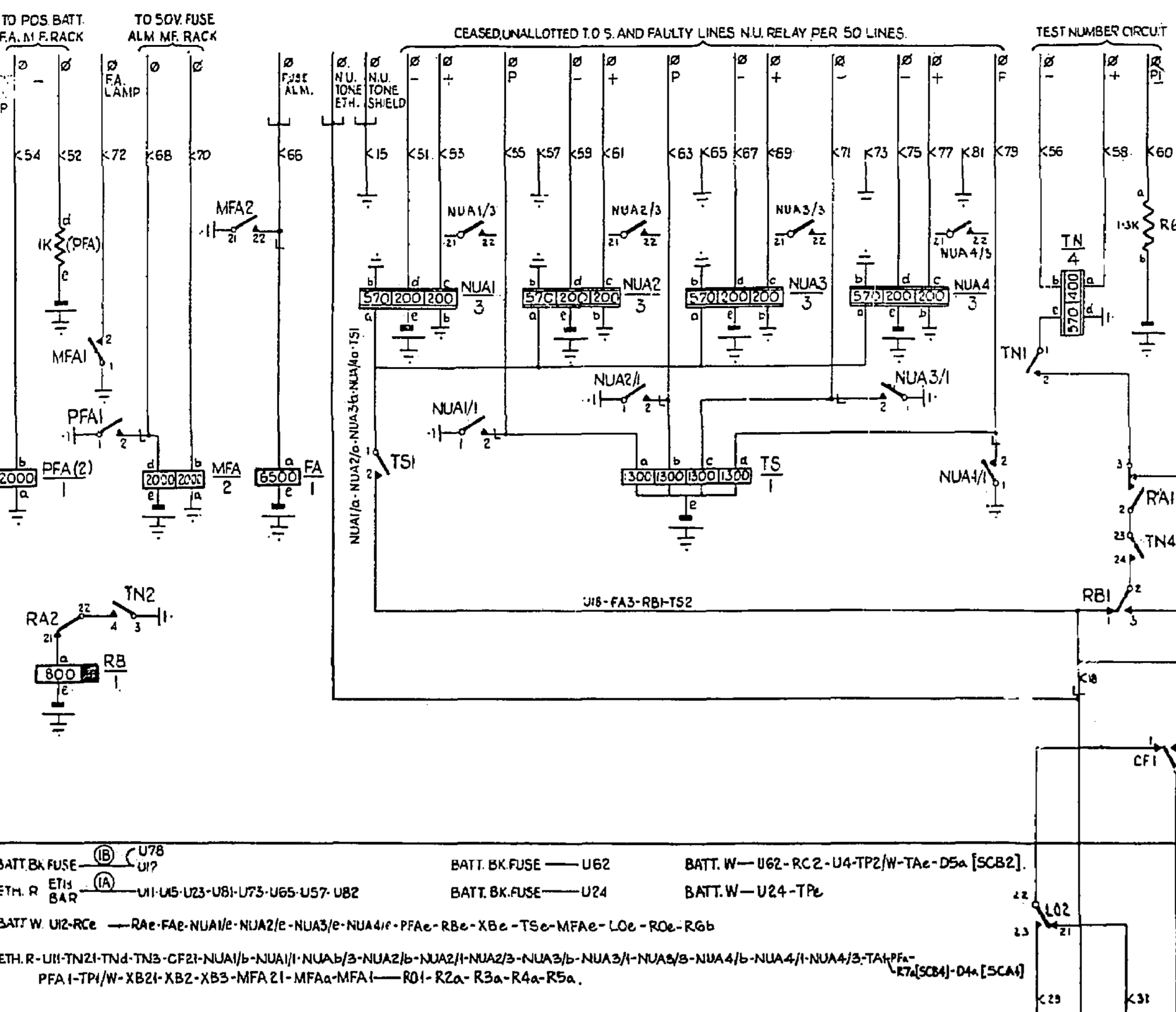
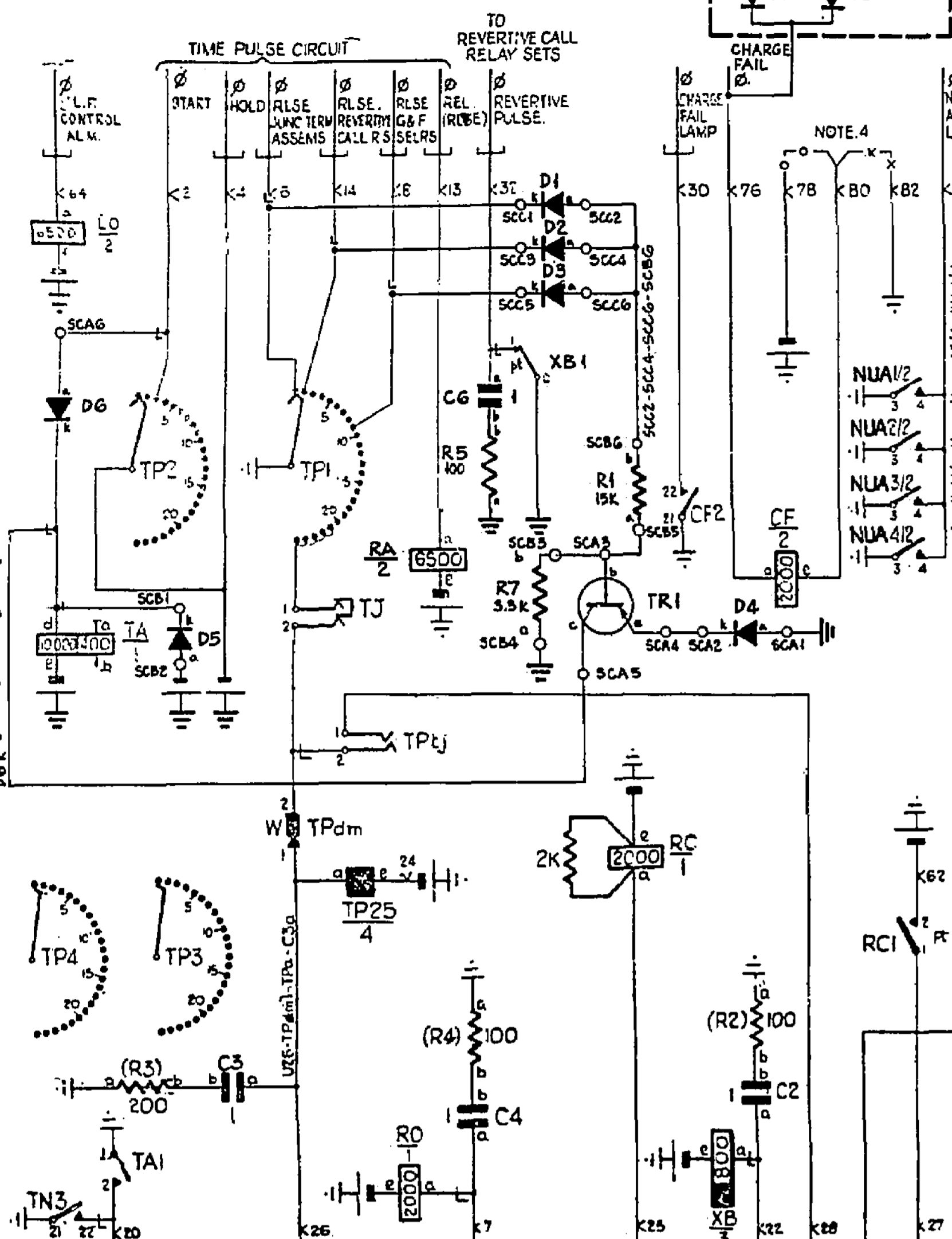


FIG. 2. RINGING & METER PULSE CIRCUIT.

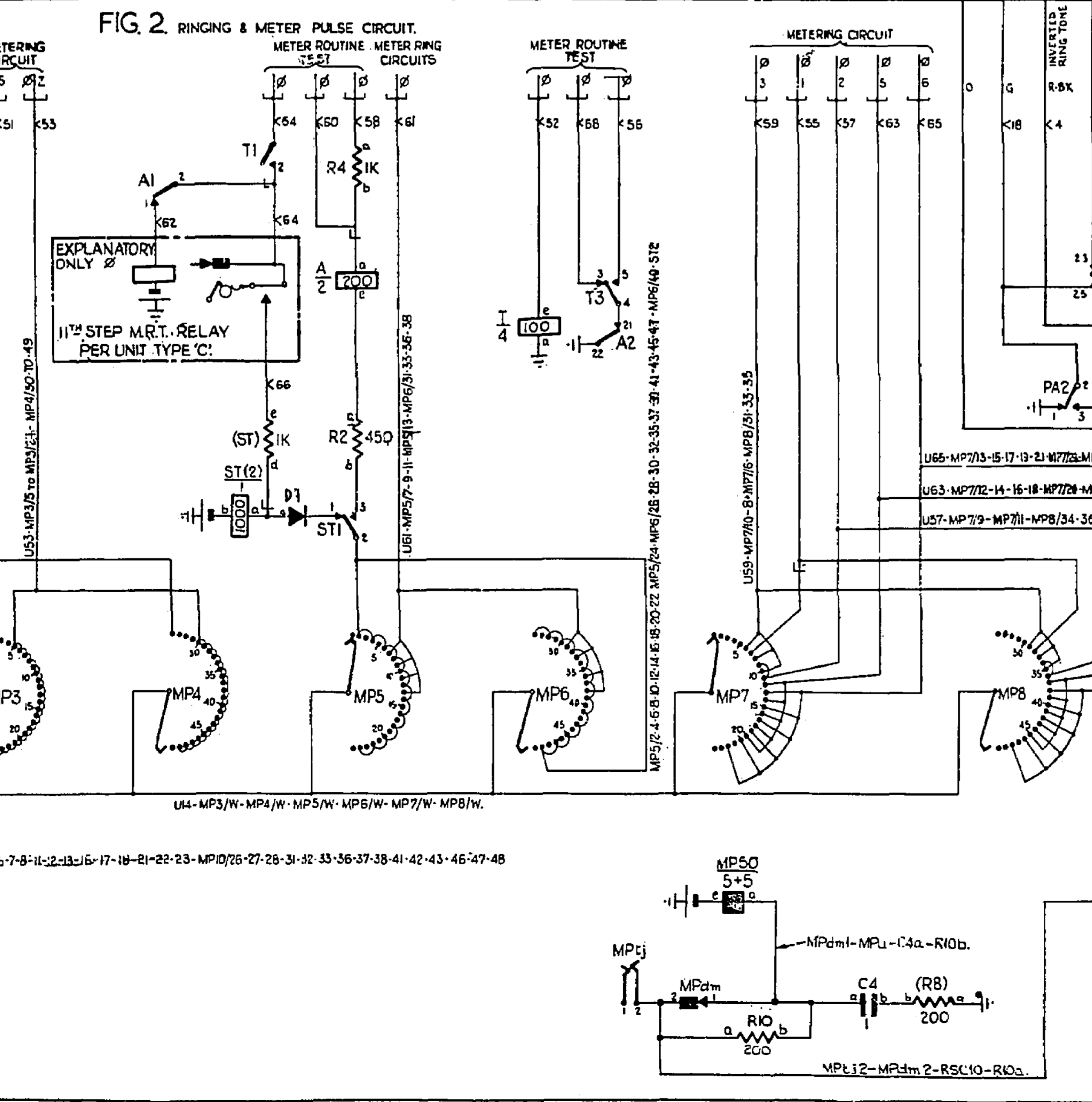
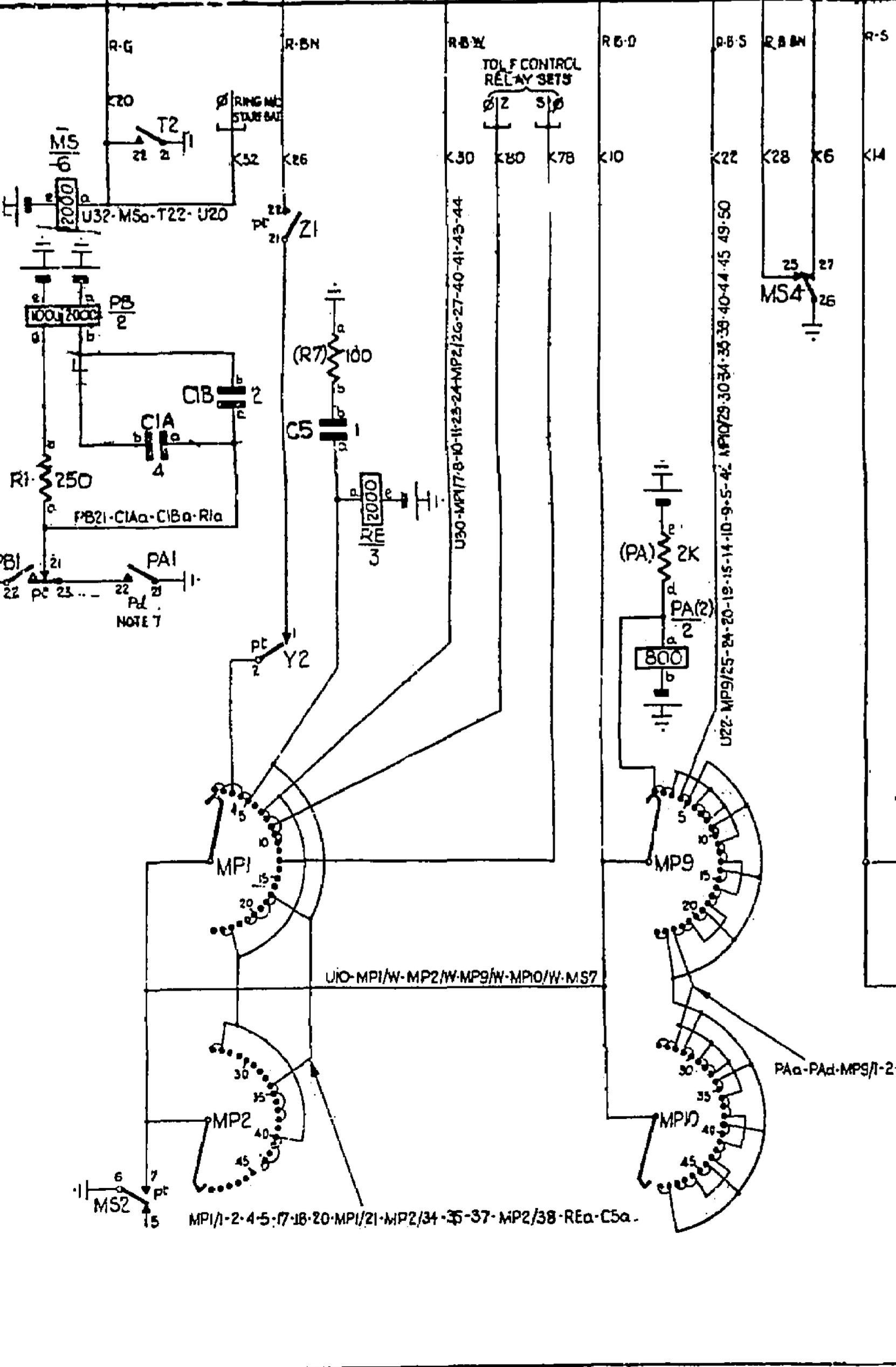


FIG. 3B TRANSFORMERS & RINGER.

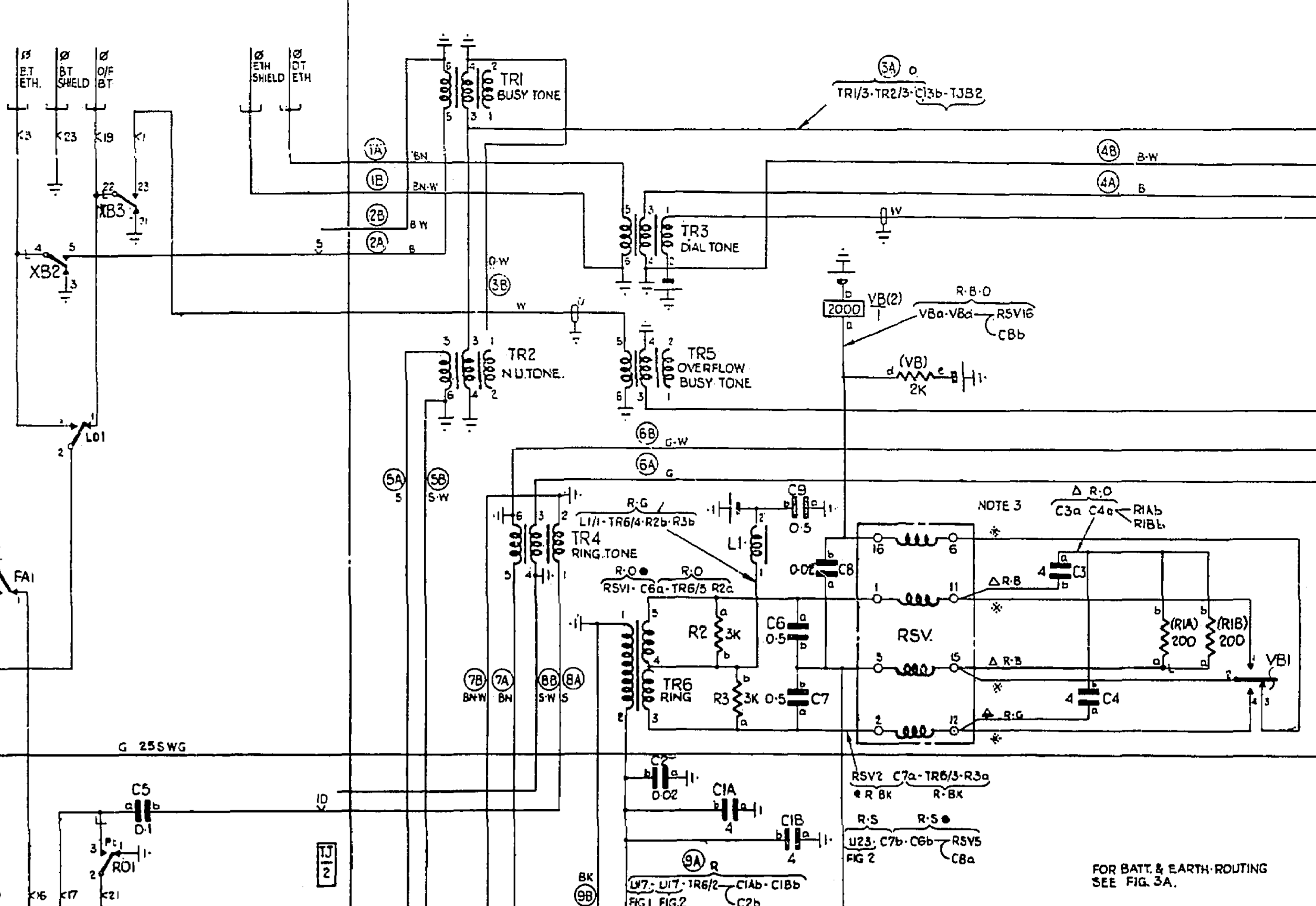
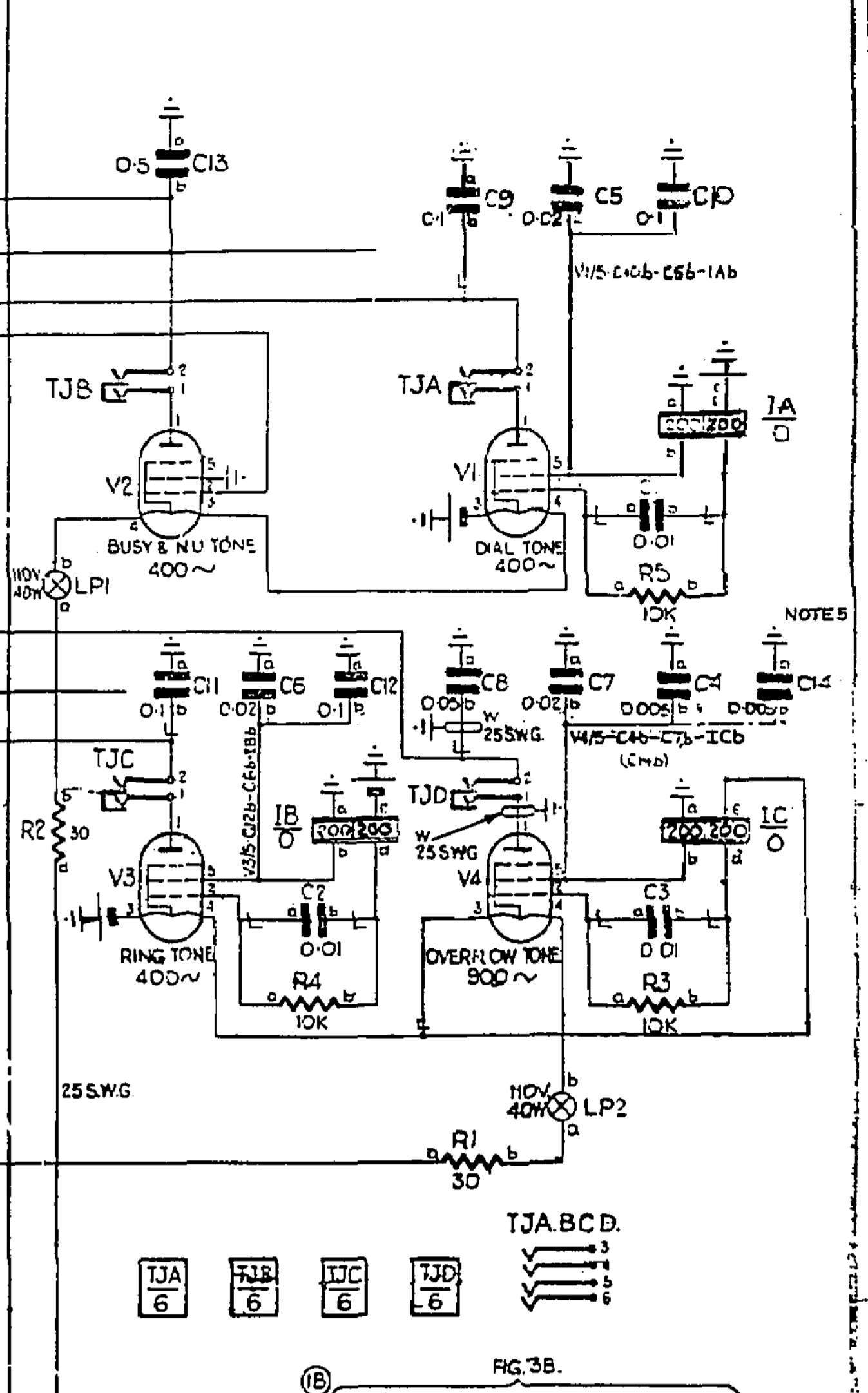


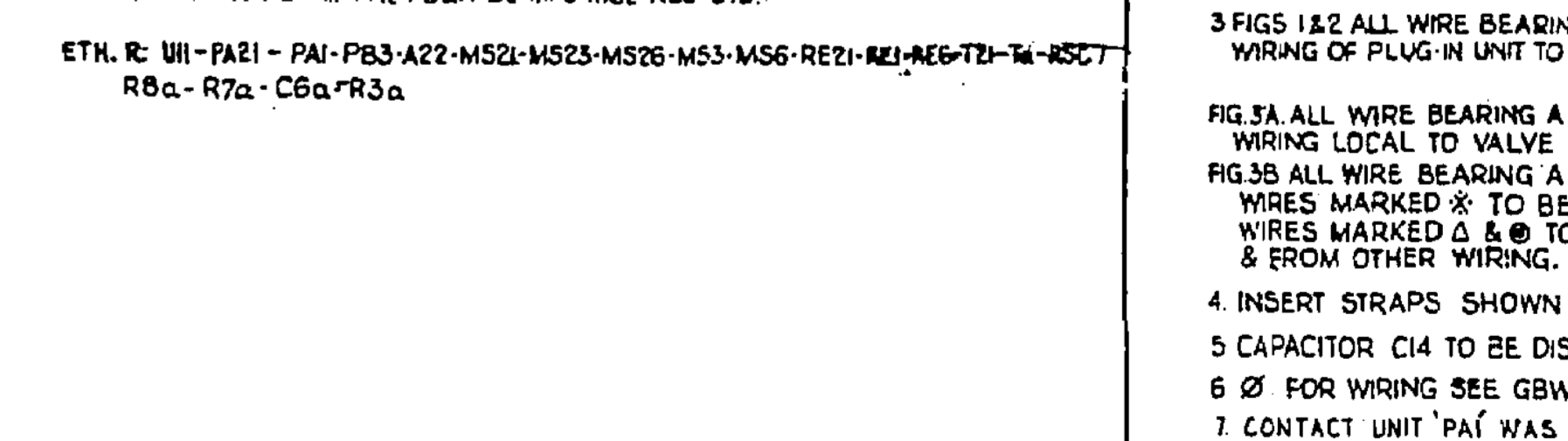
FIG. 3A ELECTRONIC PANEL.



BATT. BK. FUSE — U62
ETH. R. ETH. BAR — U11 U45 U23 U81 U75 U65 U57 U82
BATT. W. — U62 RC2 U4 TP2/W TAe D5a [SCB2]
BATT. BK. FUSE — U24
BATT. W. — U24 TPe
ETH. R. — U11 TN21 TN3 CF21 NUA11 NUA12 NUA13 NUA14 NUA15 NUA16 NUA17 NUA18 NUA19 NUA20 NUA21 NUA22 NUA23 NUA24 NUA25 NUA26 NUA27 NUA28 NUA29 NUA30 NUA31 NUA32 NUA33 NUA34 NUA35 NUA36 NUA37 NUA38 NUA39 NUA40 NUA41 NUA42 NUA43 NUA44 NUA45 NUA46 NUA47 NUA48 NUA49 NUA50
PFA1 TP1 NUA1 XB2 XB3 XB4 XB5 XB6 XB7 XB8 XB9 XB10 XB11 XB12 XB13 XB14 XB15 XB16 XB17 XB18 XB19 XB20 XB21 XB22 XB23 XB24 XB25 XB26 XB27 XB28 XB29 XB30 XB31 XB32 XB33 XB34 XB35 XB36 XB37 XB38 XB39 XB40 XB41 XB42 XB43 XB44 XB45 XB46 XB47 XB48 XB49 XB50

BATT. BK. FUSE — U62
ETH. R. ETH. BAR — U11 U45 U23 U81 U75 U65 U57 U82
BATT. W. — U62 RC2 U4 TP2/W TAe D5a [SCB2]
BATT. BK. FUSE — U24
BATT. W. — U24 TPe
ETH. R. — U11 TN21 TN3 CF21 NUA11 NUA12 NUA13 NUA14 NUA15 NUA16 NUA17 NUA18 NUA19 NUA20 NUA21 NUA22 NUA23 NUA24 NUA25 NUA26 NUA27 NUA28 NUA29 NUA30 NUA31 NUA32 NUA33 NUA34 NUA35 NUA36 NUA37 NUA38 NUA39 NUA40 NUA41 NUA42 NUA43 NUA44 NUA45 NUA46 NUA47 NUA48 NUA49 NUA50
PFA1 TP1 NUA1 XB2 XB3 XB4 XB5 XB6 XB7 XB8 XB9 XB10 XB11 XB12 XB13 XB14 XB15 XB16 XB17 XB18 XB19 XB20 XB21 XB22 XB23 XB24 XB25 XB26 XB27 XB28 XB29 XB30 XB31 XB32 XB33 XB34 XB35 XB36 XB37 XB38 XB39 XB40 XB41 XB42 XB43 XB44 XB45 XB46 XB47 XB48 XB49 XB50

- NOTES:-
- FUSING FIG. 1 (5A PER CCT. (RELAYS))
1.5A PER CCT. (METER PULSES)
FIG. 2 (1.5A PER CCT. (RELAYS & METER PULSES))
0.5A PER CCT. (RINGING REL. BATT. COOD.)
0.5A PER CCT. (RINGING REL. BATT. COOD. & CONT. RING. RET. BATT.)
FIG. 3A (1.5A PER CCT. (RELAYS & VALVES))
 - FIG. 1 SHELF JACK UPPOINTS TR81, 95, 82, 63, 65, 71, 73 TO MAKE CONTACT AND USE 110 NOT TO MAKE CONTACT WHEN RELAY SET IS REMOVED.
FIG. 2 SHELF JACK UPPOINTS 9, 11 NOT TO MAKE CONTACT WHEN RELAY SET IS REMOVED.
 - FIG. 1 & 2 ALL WIRE BEARING A COLOUR CODE TO BE 0.7mm. UNLESS OTHERWISE SPECIFIED WIRING OF PLUG-IN UNIT TO BE 0.5mm.
 - FIG. 3A ALL WIRE BEARING A COLOUR CODE TO BE 0.7mm. UNLESS OTHERWISE SPECIFIED WIRING LOCAL TO VALVE PANEL TO BE 0.7mm. B.T.C. WITH SLEEVING.
FIG. 3B ALL WIRE BEARING A COLOUR CODE TO BE 22 S.W.G. UNLESS OTHERWISE SPECIFIED WIRES MARKED * TO BE 0.7mm. B.T.C. WITH SLEEVING.
WIRES MARKED Δ & ⊕ TO BE SEPARATE FROM EACH OTHER & FROM OTHER WIRING.
 - INSERT STRAPS SHOWN THUS — ○ — OR THUS — X — AS REQUIRED.
 - CAPACITOR C14 TO BE DISCONNECTED IF NECESSARY TO MAINTAIN 500 CYCLE TONE.
 - FOR WIRING SEE GBW.13730 OR EQUIV.
 - CONTACT UNIT PA1 WAS ORIGINALLY SUPPLIED WITH SILVER CONTACTS. WHEN REPLACEMENT IS NECESSARY PALLADIUM CONTACTS MUST BE USED.



NOT TO BE USED FOR NEW WORK SUPERSEDED BY GBW 13723.

VALVES V1, V2, V3, V4 FIG. 3A.

AMENDMENT	PARTICULARS	ISSUE DATE	APP.
1	POS. BATT. SUPPLY UNIT ADDED. (1044B) 3/5	1/1/51	L.P.F.
2	R1 CHANGED R7, TR1, P1, 2, 3, 4, 5, 6, 7, 8, 9, 10, 11, 12, 13, 14, 15, 16, 17, 18, 19, 20, 21, 22, 23, 24, 25, 26, 27, 28, 29, 30, 31, 32, 33, 34, 35, 36, 37, 38, 39, 40, 41, 42, 43, 44, 45, 46, 47, 48, 49, 50	1/1/51	BA
3	ADDED. P1 ADDED FIG. 2 (193400)	1/1/51	BA
4	REPLACEMENT TCS INCORP. (P3750) 6	3/2/51	B.H.
5	FIG. 2 - R10 ADDED WIRING TO MP3 (P4512) (UNDELETED) (M55 DELETED)	1/1/51	B.H.
6	ICE HAS BEEN CONNECTED TO BATT. NOT TAPPED	1/1/51	B.H.
7	P.F.2 CONTACT UNIT PA1 WITH MOUNTING	1/1/51	B.H.
8	REPLACEMENT ASSOC. WITH RELAYS 10 & 11 MOUNTED	1/1/51	B.H.
9	NOTE 2 & WIRE GAUGES AMENDED. CS IN FIG. 3B	1/1/51	B.H.
10	IN FIG. 3B, TR3 & TR4 EXCHANGED. (1044B)	1/1/51	B.H.
11	R12 CONTACT UNIT WIRING DIFFERENTIALLY	3/2/51	B.H.
12	NUMBER CORRECTIONS	2/1/51	B.H.
13	AMENDMENT PARTICULARS	1/1/51	B.H.

DIST. CODE - 03068

COMMON EQUIPMENT RINGING TONES & PULSES USING ELECTRONIC GENERATOR

U.A.Y. 13730

SIZE X 150V C

GBW 13721