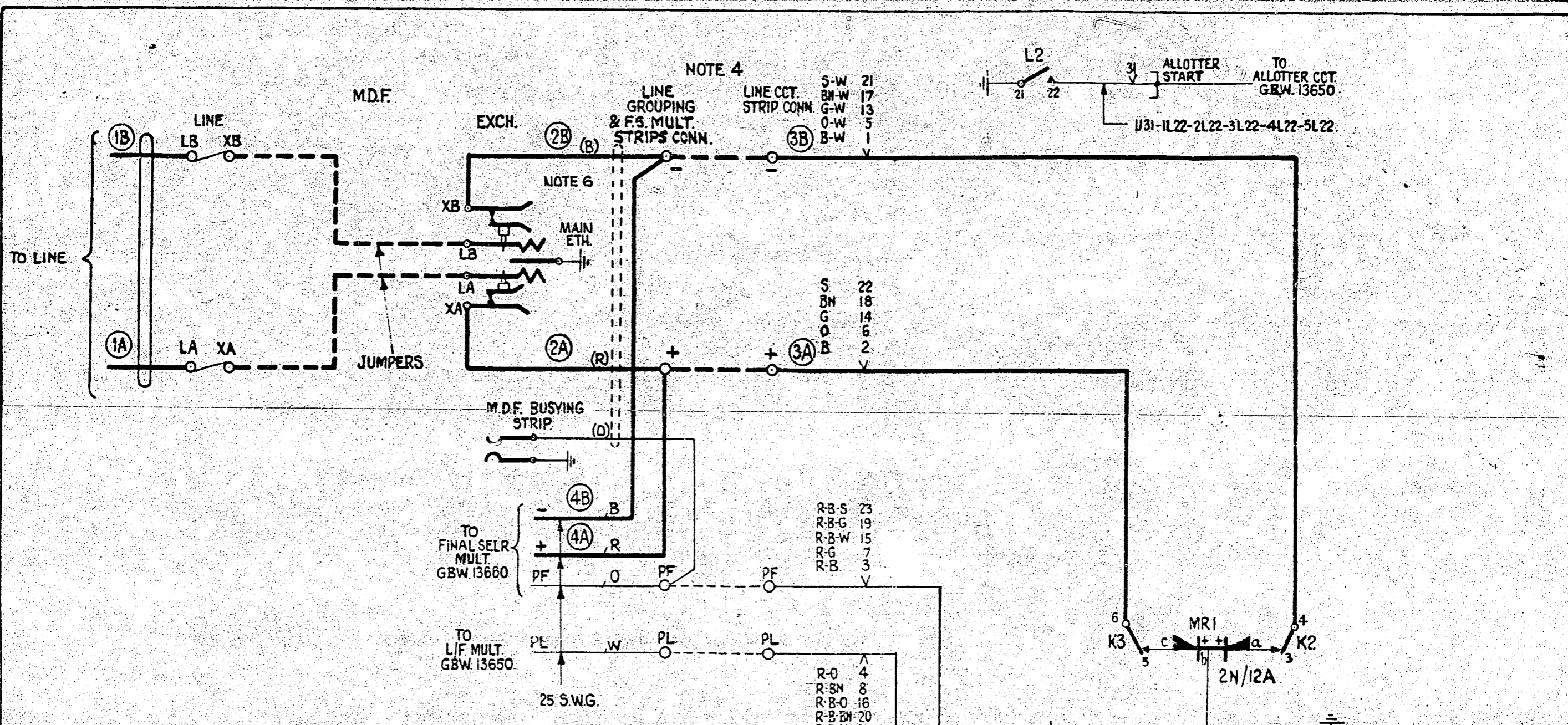


0  
5 Centimeters  
10  
15  
20  
25  
30



NOTE 4

LINE CCT. STRIP CONN.	S-W	21
	BN-W	17
	G-W	13
	O-W	5
	B-W	1
		V

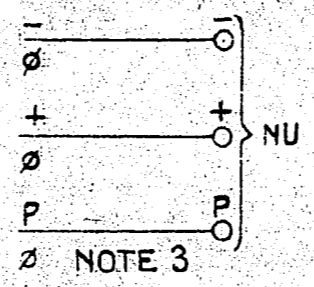
S	22
BN	18
G	14
O	6
B	2
	V

R-B-S	23
R-B-G	19
R-B-W	15
R-G	7
R-B	3
	V

A	4
R-O	8
R-BN	16
R-B-O	20
R-BK	24
	V

NOTES:-

1. FUSING 1-5A PER 10 CCTS. (2 PLATES)
2. ALL WIRING UNLESS OTHERWISE SPECIFIED TO BE 23 S.W.G. PLATE WIRING TO BE 25 S.W.G.
3. FOR "UNALLOTTED, CEASED OR T.O.S" LINES JUMPER NU TAGS TO APPROPRIATE FINAL SELR. OUTLETS - + PF & OMIT JUMPERS TO LINE CIRCUIT.
4. JUMPERING IS PROVIDED BETWEEN THE LINE CIRCUITS STRIP CONN & LINE GROUPING STRIP CONN. TO ALLOW 5 OR 10 PARTY LINE WORKING. FOR 5 PARTY LINE WORKING JUMPER EACH FINAL SELECTOR OUTLET TO A LINE CIRCUIT. FOR 10 PARTY LINE WORKING JUMPER TWO FINAL SELECTOR OUTLETS TO A LINE CIRCUIT.
5. Ø FOR WIRING SEE DIAG. G.B.W. 13700
6. WHEN UNIT IS "ATTACHED" TO PARENT U.A.X. - , + & PF LEADS ARE CABLED BETWEEN LINE GROUPING & F.S. MULT. STRIP CONN. AND 'C' UNIT M.D.F.



BATT.	BK	FUSE	U12 (2ND PLATE CCTS. 6-10)
			U12 (1ST PLATE CCTS. 1-5)
			U11 (2ND PLATE CCTS. 6-10)
			U11 (1ST PLATE CCTS. 1-5)
ETH.	R	ETH. BAR	M.D.F. BUSYING STRIP
BATT.	W		U12-1Le-1Pb-2Le-2Pb-3Le-3Pb-4Le-4Pb-5Le-5Pb-5Ke-4Ke-3Ke-2Ke-1Ke-1R1b-2R1b-3R1b-4R1b-5R1b-
ETH.	R		U11-1L21-2L21-3L21-4L21-5L21-5K22-4K22-3K22-2K22-1K22.

REPLACEMENT TCG. INCORP. (83750)	2	28-1-75	BSH
NOTE 6 & ASSOCIATED ALTERNATIVE CONNS ADDED	2	15-8-67	LJT
		16-9-54	
AMENDMENT PARTICULARS	ISSUE	DATE	APP
NZPO			

SLOW RELEASE     SLOW OPERATE  
**SUBSCRIBERS LINE CIRCUIT**  
**MULTI-PARTY LINE UNIT**  
**UAX NZ13R**  
**GBW 13640**  
 SIZE 5