

5 Centimeters 10 15 20 25 30

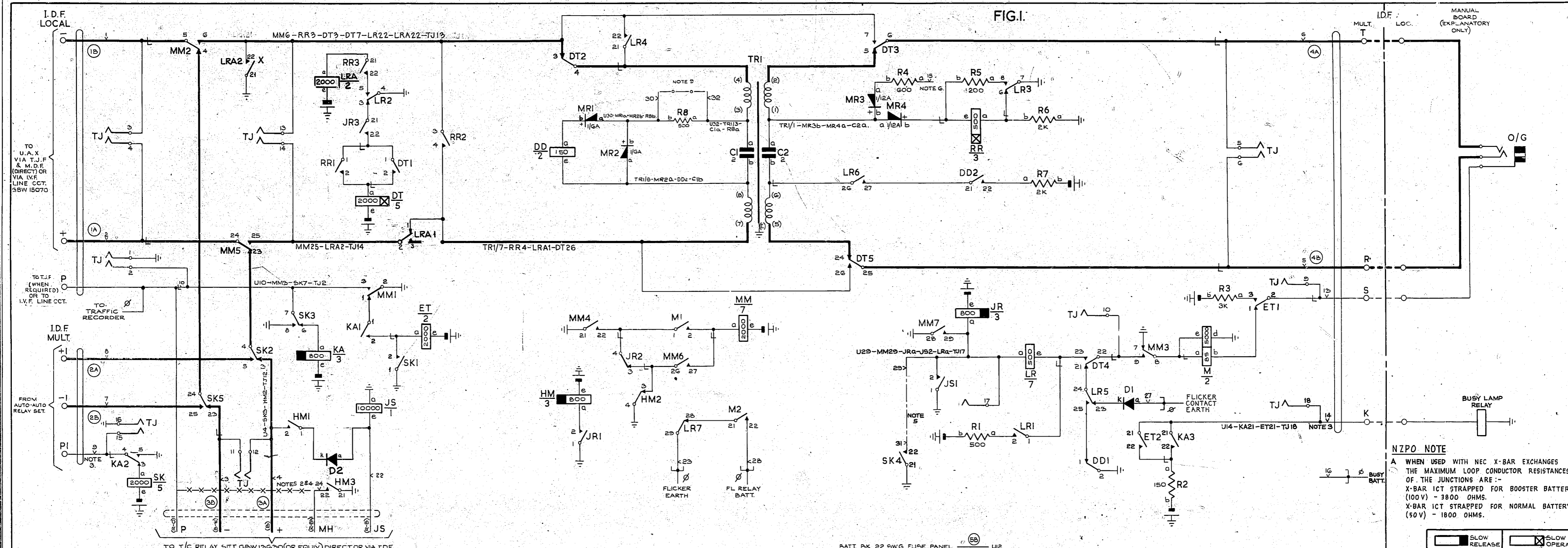


FIG. 1

NOTES:-

1. FUSING 1.5A PER CIRCUIT.
2. FOR UNIDIRECTIONAL WORKING, STRAP U10 - 24 SHOWN \times \times
3. SHELF JACK POINTS U9 & U11 AND U14 & U16 MAKE CONTACT WHEN RELAY SET IS JACKED OUT.
4. BOTHWAY WORKING
 a) D.C. JUNCTIONS CONNECT P-, +, MH, JS TO INCOMING RELAY SET AND OMIT STRAPS -X-
 b) I.V.F. JUNCTIONS, CONNECTIONS TO INCOMING RELAY SET AND STRAPS -X- ARE OMITTED.
5. WHEN A MULTI-METERING RELAY SET IS USED IN CONJUNCTION WITH THIS CCT, REMOVE STRAP BETWEEN U29-U31 SHOWN \times \times \times
6. U15 TO BE STRAPPED TO U11 WHEN CIRCUIT IS ASSOCIATED WITH AN UNDER-3DB UNREPEATED LINE.
7. \emptyset FOR WIRING SEE GBW.10640 OR EQUIVALENT.
8. ALL WIRING TO BE 25 SWG UNLESS OTHERWISE SPECIFIED.
9. STRAP U30-U32 WHEN JUNCTION RESISTANCE EXCEEDS 500 Ω .

BATT. BK 22 SWG FUSE PANEL (5B) U12
 EARTH. R 22 SWG EARTH BAR. (5A) U11
 BATT. W. U12-MM6-JR6-SK6-KA6-DT6-HM6-LRA6-ET6-R1b-R2b-R3b-R7b
 ETH. R. U11-TRI6-MM21-MM25-MM7-JR1-JS9-JK1-SK21-
 SK1-SK8-Md-KA5-HM21-HM4-LRA 21-DD2-LR4-LR7-R6a-
 TJ1-TJ16.

NZPO NOTE
 A WHEN USED WITH NEC X-BAR EXCHANGES THE MAXIMUM LOOP CONDUCTOR RESISTANCES OF THE JUNCTIONS ARE:-
 X-BAR ICT STRAPPED FOR BOOSTER BATTERY (100V) - 3800 OHMS.
 X-BAR ICT STRAPPED FOR NORMAL BATTERY (50V) - 1800 OHMS.

MINOR AMD.		(80751)	B	23-3-69	JR
		(80539)	A	28-7-82	JR
AMENDMENT PARTICULARS.		ISSUE DATE	APPD	REF-GSD.21.17.	SIZE L
NZPO		DRAWN T.D.	CHECKED	WIRING	CIRCUIT

O/G JUNCTION RELAY SET WITH BOTHWAY SWITCHING TO UAX. NZ, NO13 PARENT FOR SCS. SW.BD. 2000 TYPE

GBW.13620. 1 of 1 MOD A