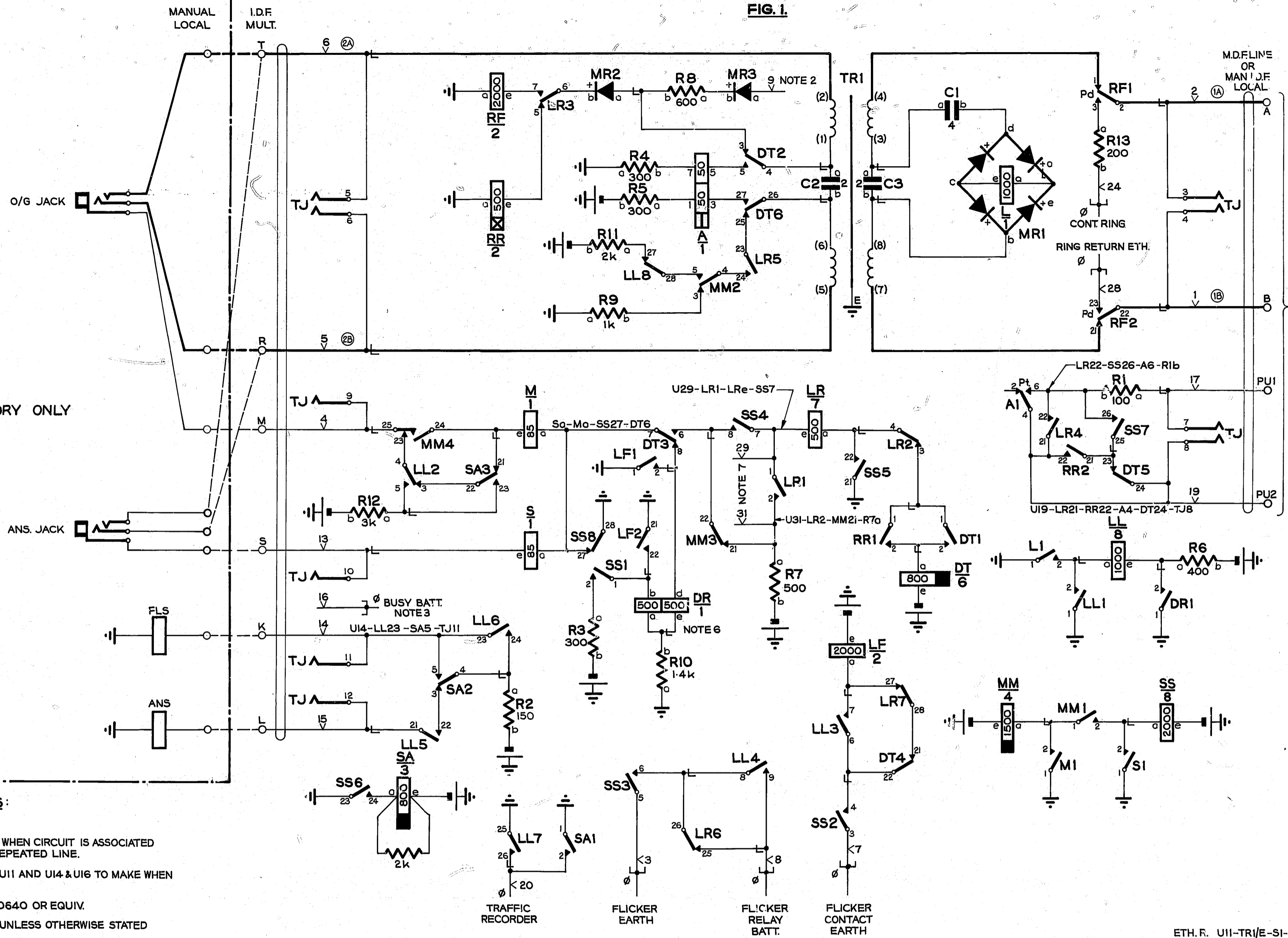


FIG. 1.



TO TRK. TEST RACK VIA M.D.F.  
OR VIA M.D.F. & MANUAL I.D.F.  
OR VIA MANUAL I.D.F.  
NOTES 7 & 8

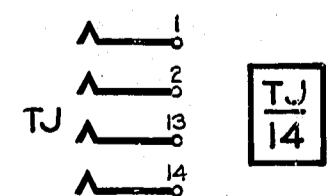
EXPLANTORY ONLY

**NOTES:**

- 1 FUSE 1.5A PER CIRCUIT
- 2 U9 & U11 TO BE STRAPPED WHEN CIRCUIT IS ASSOCIATED WITH AN UNDER 3dB UNREPEATED LINE.
- 3 SHELF JACK POINTS U9 & U11 AND U14 & U16 TO MAKE WHEN RELAY SET IS REMOVED.
- 4 Ø FOR WIRING SEE GBW. 10640 OR EQUIV.
- 5 ALL WIRING TO BE 25 SWG. UNLESS OTHERWISE STATED
- 6 RELAY DR IS DIFFERENTIALLY CONNECTED
- 7 WHEN CCT. IS USED AS AN EMERGENCY B/W JUNCTION GENERATOR SIGNALLING, STRAP U29 TO U31 & OMIT PUI & PU2 JUMPERING AT I.D.F.
- 8 JUNCTIONS PROVIDED OVER OPEN-WIRE LINES TO BE WIRED VIA CARRIER I.D.F.
- 9 ON SOME EARLY EQUIPMENT, BATT. WIRING COLOURS ARE BK & W

**NZ NOTES:**

- A. SEE DRG 6510 FOR DETAILS OF PHANTOM CCT. ARRANGEMENTS.  
SEE DRG 24870 FOR DETAILS OF TYPICAL DIALLING CCT. ARRANGEMENTS.



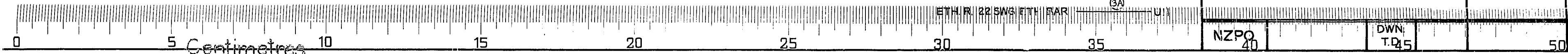
ETH. R. U11-TR1/E-SI-M1-L1-LL25-LL1-DR1-RRo-R4a-R9a-R10a  
LF21-LF1-SS21-SS23-SS28-RFo-R4a-R9a-R10a  
BATT. V U12-SAe-LFe-SSe-MMe-DTe-R2b-R3b-R5b-R6b-R7b-R11b-R12b

RETRACED & NZ NOTE A ADDED	(99786)	6A	21-9-73	B9H
NOTE 7 AMD. NOTES 8 & 9 ADDED	(93349)	6	17-4-69	GFE
U29 & U31 ADD. NOTE 7 CHANGED	(69852)	5	27-1-64	D.B.H.
TERMS. AMD. NOTE 5 CHANGED	(35391)	4	22-11-60	J.K.
TERMS. AMD.		3	22-11-60	J.K.
NOTE 7 ADD.	(26324)	2	17-3-59	J.K.
	(34685)	1	24-2-55	C.W.H.

AMENDMENT PARTICULARS ISS DATE APP. SP-653 21 20 SIZE M 50V W

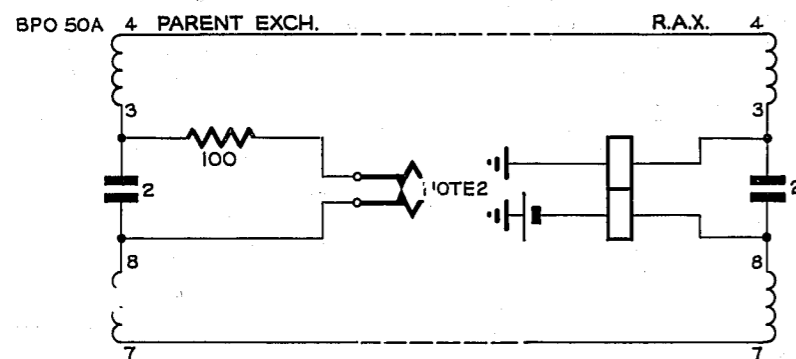
SLOW RELEASE  
 SLOW OPERATE  
**JUNCTION RELAY SET**  
**BOTHWAY TO R.A.X.**  
**SLEEVE CONTROL SYSTEM**  
**2000 TYPE**

GBW 13560 SHT. 1 OF 2

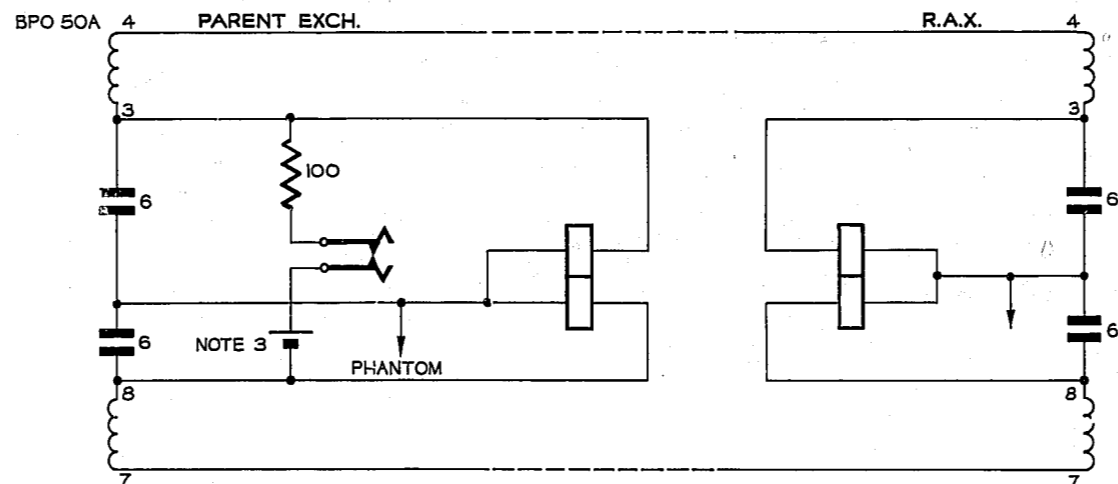


**FIG. 2**

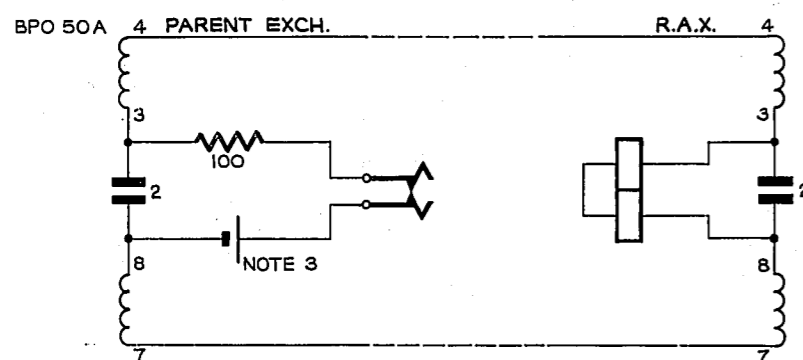
SIGNALLING ARRANGEMENTS FOR DRY LOOP OVER METALLIC OR PHANTOM CIRCUITS.

**FIG. 6**

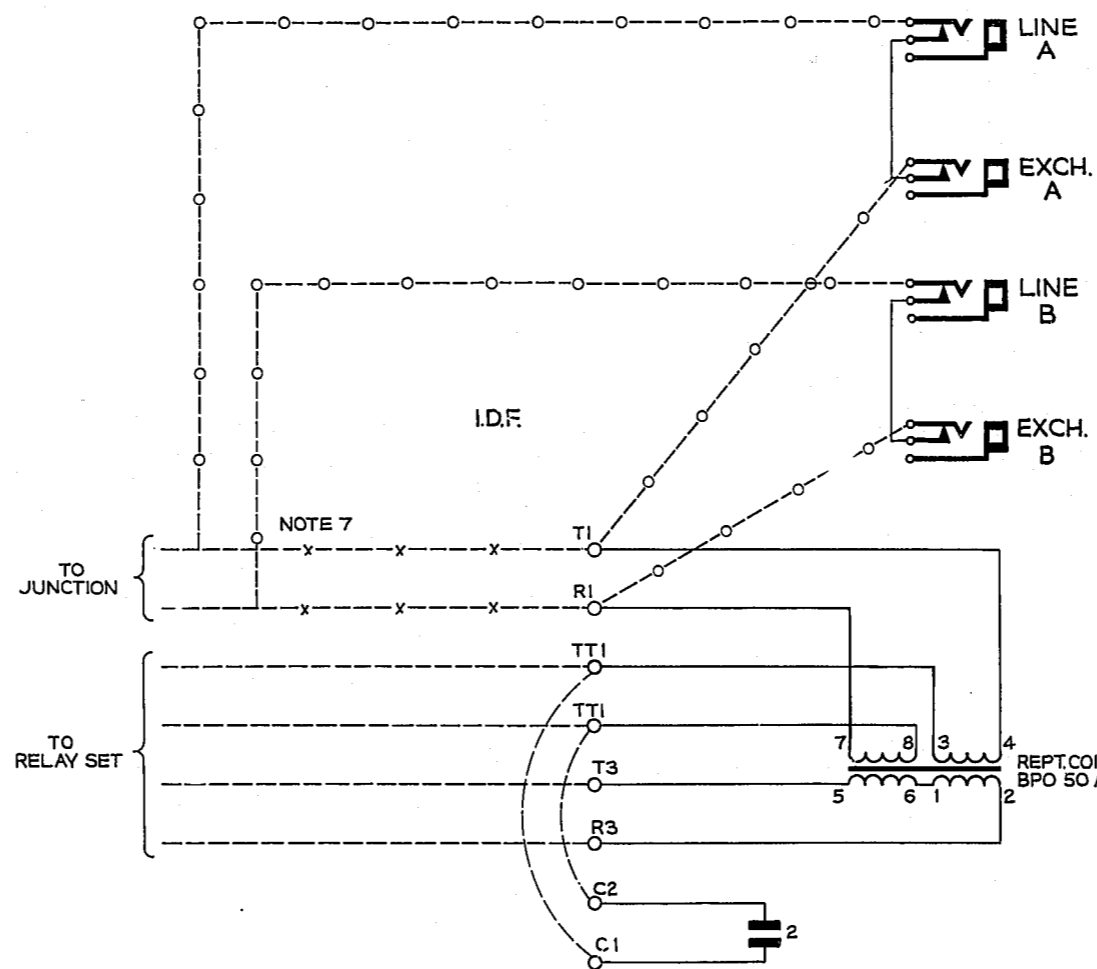
SIGNALLING ARRANGEMENTS FOR WET LOOP OVER SIDE CIRCUIT WITH PHANTOM SUPERPOSED.

**FIG. 3**

SIGNALLING ARRANGEMENTS FOR WET LOOP OVER METALLIC OR PHANTOM CIRCUITS.

**FIG. 7**

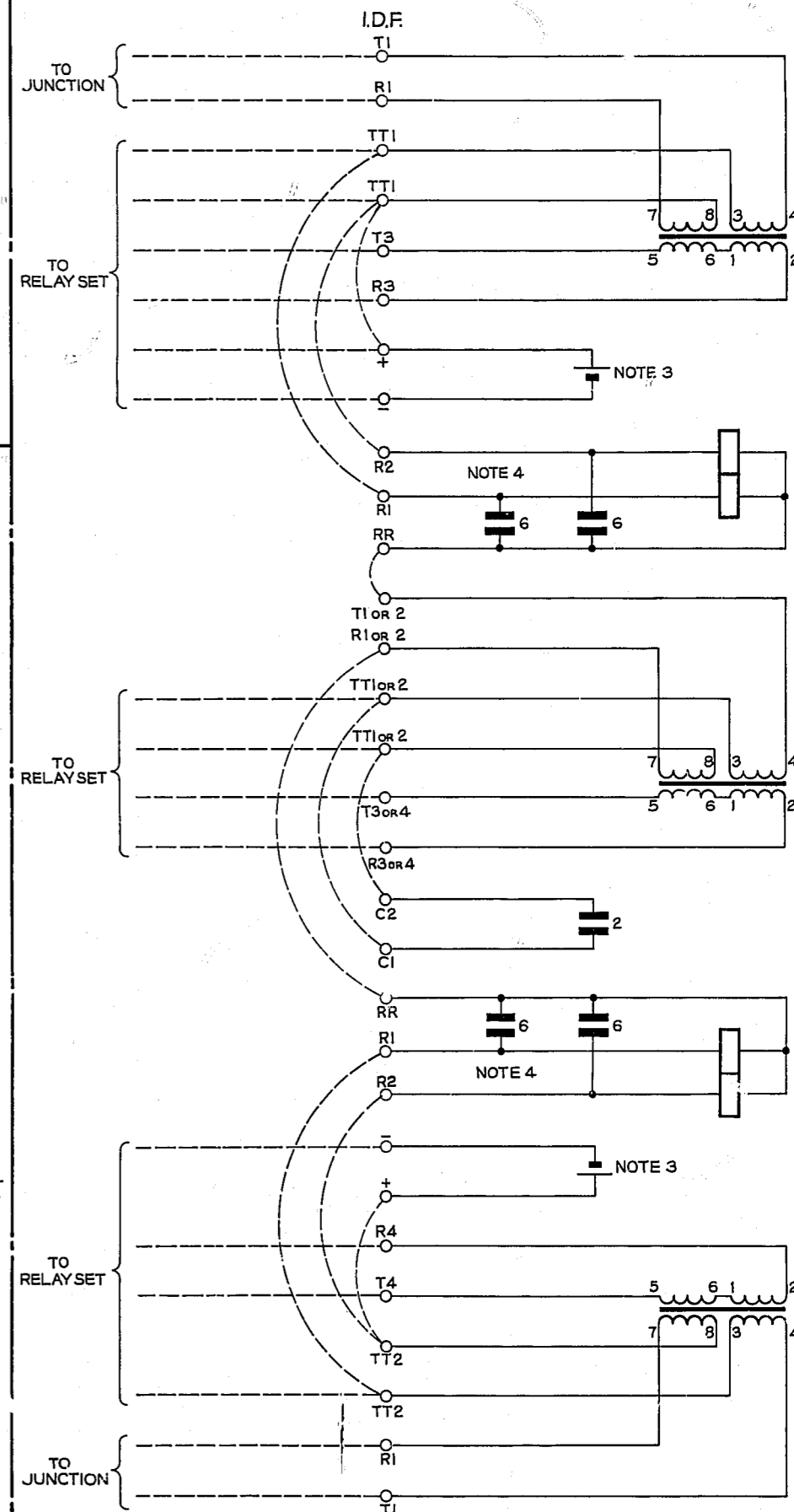
LINE TRANSFORMER RACK - TYPICAL CONNECTIONS FOR DIALLING OVER METALLIC CIRCUIT.

**NOTES:**

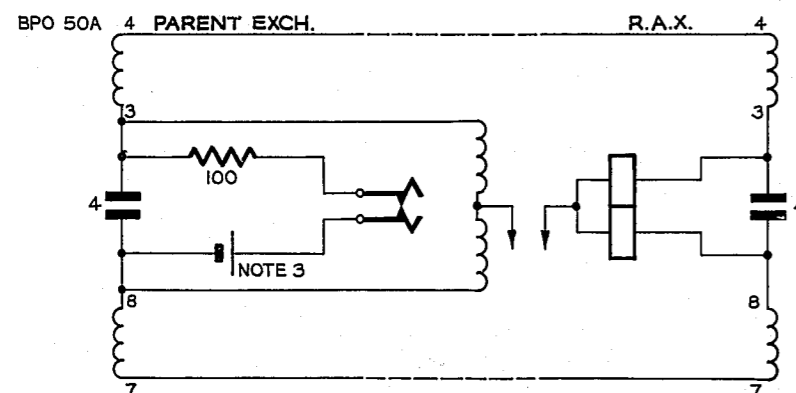
- 1 LINE WINDINGS ONLY OF REPEATING COILS SHOWN IN FIGS 2 TO 6.
- 2 DIAL SYMBOLS REPRESENTS DIAL OR IMPULSE RELAY CONTACTS.
- 3 BATTERY SYMBOLS REPRESENTS UNEARTHED BATT. OR RECTIFIER SUPPLY
- 4 RETARDS & CONDENSERS ARE BALANCED UNDER DC & VF INDIVIDUALLY & IN PAIRS TO PRESERVE PHANTOM BALANCE
- 5 CONNECTIONS SHOWN THUS  $\text{---} \times \text{---} \times \text{---}$  FOR SIMPLEX BATT. DIALLING. CONNECTIONS SHOWN THUS  $\text{---} \circ \text{---} \circ \text{---}$  FOR SIMPLEX EARTH DIALLING.
- 6 SEE GEC DRG. 192742 FOR DETAILED CONNECTIONS AT R.A.X.
- 7 WHEN TESTED JACKS ARE REQUIRED - DISCONNECT JUMPERS SHOWN  $\text{---} \times \text{---} \times \text{---}$  AND CONNECT AS SHOWN  $\text{---} \circ \text{---} \circ \text{---}$

**FIG. 8**

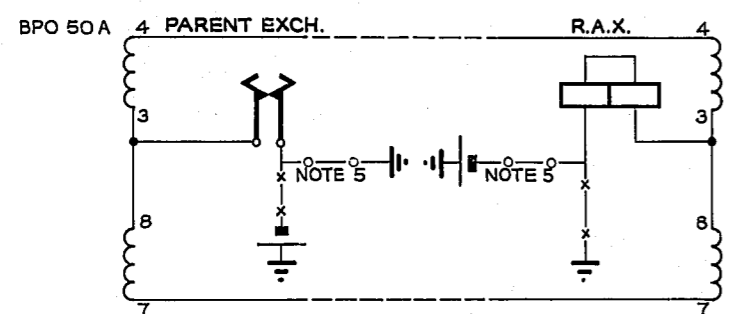
LINE TRANSFORMER RACK - TYPICAL CONNECTIONS FOR DIALLING OVER PHANTOM SET WET LOOP ON SIDE CIRCUITS, DRY LOOP ON PHANTOM.

**FIG. 4**

SIGNALLING ARRANGEMENTS FOR WET LOOPS OVER METALLIC OR PHANTOM CIRCUITS WITH SUPERPOSED MORSE OR NIGHT-SWITCHING WIRE.

**FIG. 5**

SIGNALLING ARRANGEMENTS FOR SIMPLEX DIALLING OVER METALLIC OR PHANTOM CIRCUITS.



NZPO	DWN.	G.S.	CIRCUIT	R.H.H.	SIZE	M	SOV	W
AMENDMENTS PARTICULARS					ISS.	DATE	APPD.	
RETRACTED & NZ NOTE A ADD TO SHT. 1					6A	21-9-73	BSH	
MINOR MODS. TO FIGS 7 & 8					6	17-4-69	GE	
NO CHANGE ISS. ADVANCED					5	27-1-64	DBH	
NO CHANGE ISS. ADVANCED					4	22-11-60	J.K.	
REF. TO CARRIER I.D.F. ADD FIG. 8					3	22-11-60	J.K.	
NO CHANGE SHT. 1, AMD.					2	17-3-59	J.K.	
					1	7-11-55	C.W.H.	
						(65847)		

SLOW RELEASE  
 SLOW OPERATE  
 JUNCTION RELAY SET BOTHWAY TO R.A.X.  
 SLEEVE CONTROL SYSTEM 2000 TYPE

**GBW 13560** SHT. 2 OF 2

