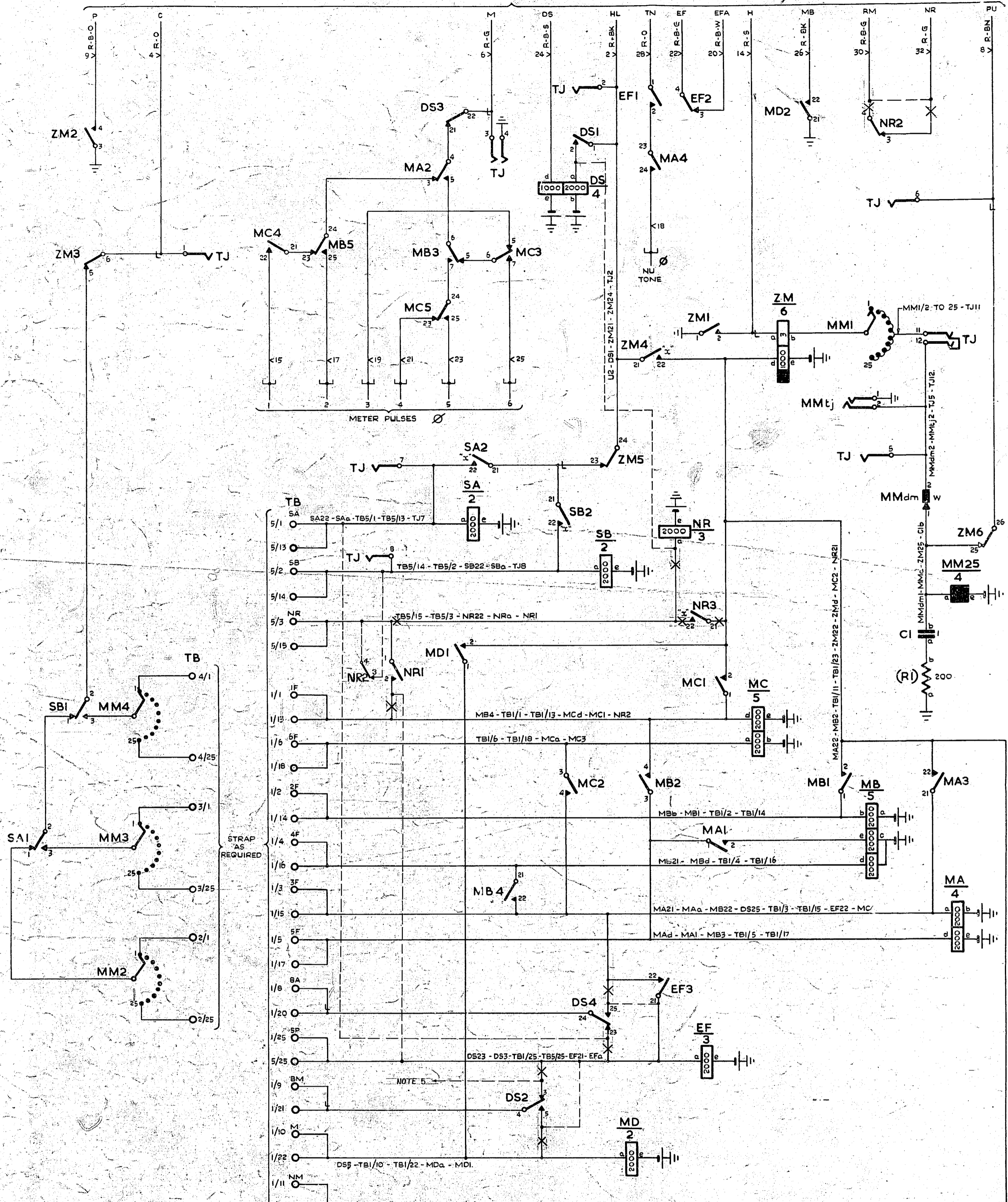


TO OUTGOING JUNCTION RELAY SET GBW12460 OR EQUIV.

GBW 13500 MOD A

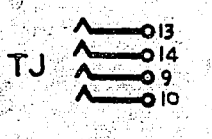


**NOTES:-**

1. FUSING - FUSED WITH ASSOCIATED JUNCTION RELAY SET.
2. ALL WIRING TO BE 23 SWG UNLESS OTHERWISE SPECIFIED. RELAY SET WIRING TO BE 25 SWG.
3. Ø FOR WIRING SEE GBW 10640 OR EQUIVALENT.
4. JACK POINTS U9 & U11 TO MAKE CONTACT WHEN RELAY SET IS REMOVED.
5. IN THE WELLINGTON AREA CONNECT DS3 TO 2F, 3F, OR 4F ACCORDING TO THE FEE TO THE MIRAMAR EXCHANGE.

BATTERY BLACK 20 SWG FUSE (18) U12  
 EARTH RED 20 SWG ETH BAR (1A) U11  
 BATTERY WHITE U12 - SAe - MAe - Mb - Mb - Dsb - Dse - MDe - MMe - ZMe - Efe - MCB - MCE - NRe - SBe.  
 EARTH RED U11 - MM1j - MD21 - ZM1 - ZM3 - R1a - TJ4.

MODIFIED TO PERMIT USE OF TOLL & INC. ACCESS OF JUNC. REL. SET. GBW 12460 TO ACHIEVE CCB & MULTI PARTY DISCRIMINATION (EMERGENCY SERVICES)  
 WIRES SHOWN - - - ARE TO BE REMOVED.  
 WIRES SHOWN - - - ARE TO BE ADDED.



<input type="checkbox"/> SLOW RELEASE <input checked="" type="checkbox"/> SLOW OPERATE	
<b>MULTI-FEE RELAY SET</b> A.M.X.	
WAS GBW 13500 MOD. (27965)	B 10.8.60
(4787)	A 26.8.55
AMENDMENT PARTICULARS	ISSUE DATE APPD.
SIZE: M	50V E
<b>GBW 13500 MOD A</b>	