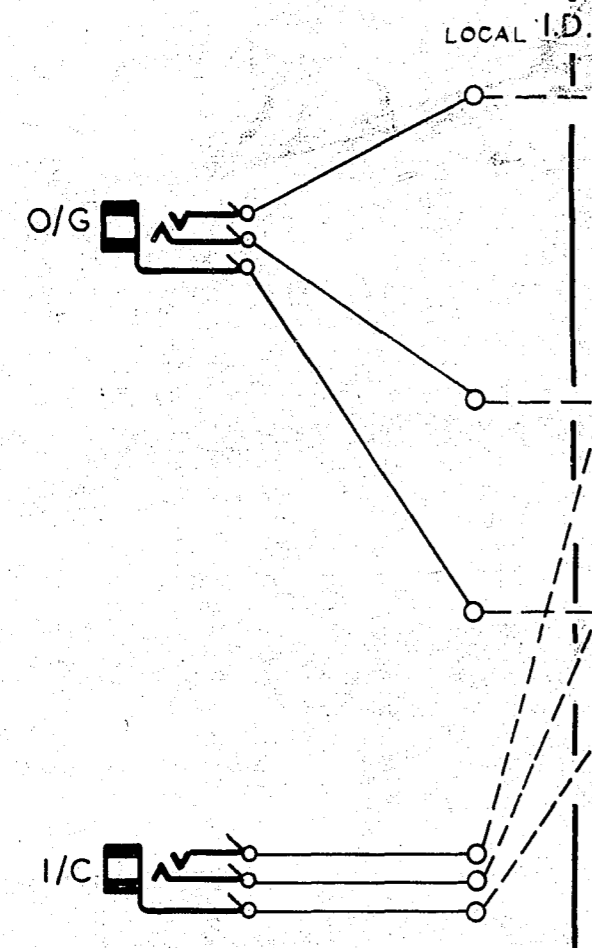


MAN BOARD EXPLANATORY



LAMP RELAY RACK EXPLANATORY

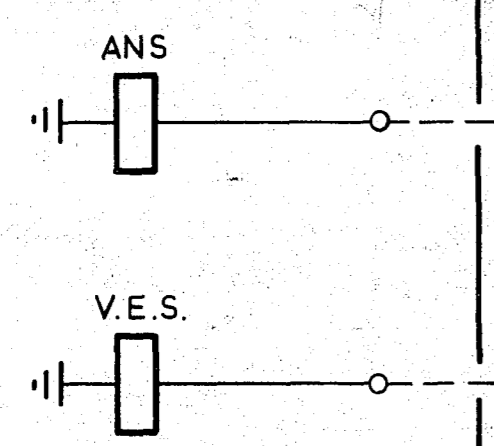
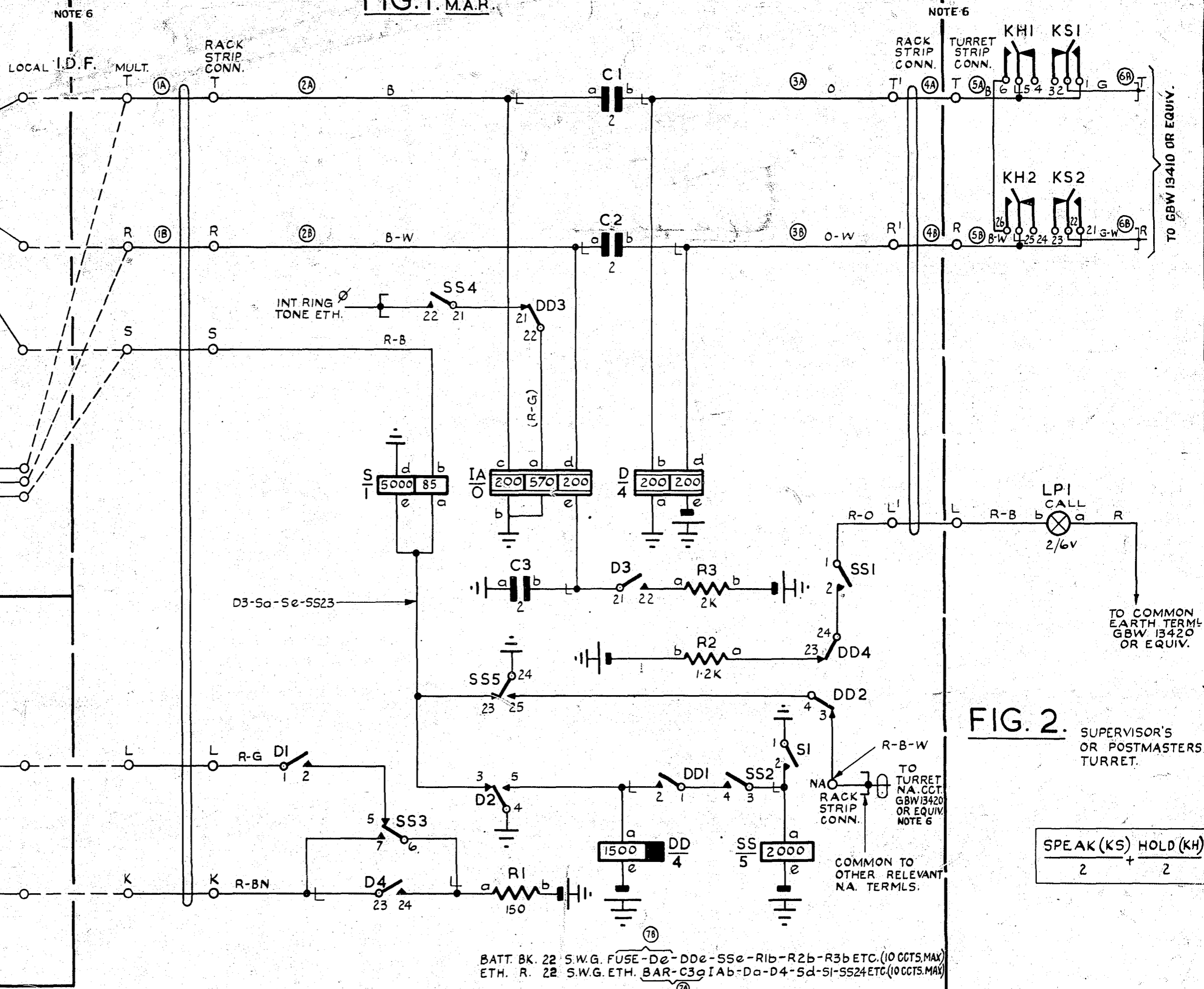


FIG. 1. M.A.R.



NOTE 6

NOTE 6

FIG. 2. SUPERVISOR'S OR POSTMASTERS TURRET.

SPEAK (KS)	HOLD (KH)
2	2

BATT. BK. 22 S.W.G. FUSE - D_e - D_de - S₅e - R₁b - R₂b - R₃b ETC. (10 CCTS. MAX)
 ETH. R. 22 S.W.G. ETH. BAR - C₃a IAb - D₄ - D₄ - S_d - S₁ - S₅24 ETC. (10 CCTS. MAX)

NOTES

1. FUSE 1.5A PER 10 ASSOC'D. TURRET CCT'S.
2. ALL WIRING NOT OTHERWISE SPEC'D TO BE 25 S.W.G.
3. DELETED.
4. DELETED.
5. Ø SEE R.C.S. DIAGRAM GBW 10690 OR EQUIV.
6. IN SOME EXCHANGES THE MANUAL SWITCHBOARD IS SITUATED IN A BUILDING REMOTE FROM THE AUTO EQUIPMENT BUILDING AND IN SUCH CASES THE CONNECTIONS BETWEEN THE RACK STRIP CONN. AND THE TURRET STRIP CONN ARE CABLED VIA THE I.D.F. MULT AND/OR LOCAL (AUTO BUILDING) AND A MANUAL ROOM FRAME (MANUAL BUILDING.) ALSO THE CONNECTIONS TO THE MAN BOARD ARE CABLED FROM THE I.D.F. VIA THE MANUAL ROOM FRAME.

B/W CIRCUIT TO TRUNK SWITCHBOARD SUPERVISOR'S OR POSTMASTER'S TURRET 2000 TYPE	
T & R TERM: 2 NOTE 2 AMENDED, NOTES 3 & 4 DELETED, NOTE 6 ADDED (69461)	3 19-11-63 D.B.H.
MINOR WIRING AMENDMENTS.	2
AMENDMENT PARTICULARS.	ISSUE DATE APPD.
NZPO	DRAWN G.N. CHECKED G.M. WIRING W.J.A. CIRCUIT E.W.D.
REF: GS3, 15, 3 SIZE: S 50V S	
GBW 13400	

