

FIG 1 B CONN CCT START CHAIN

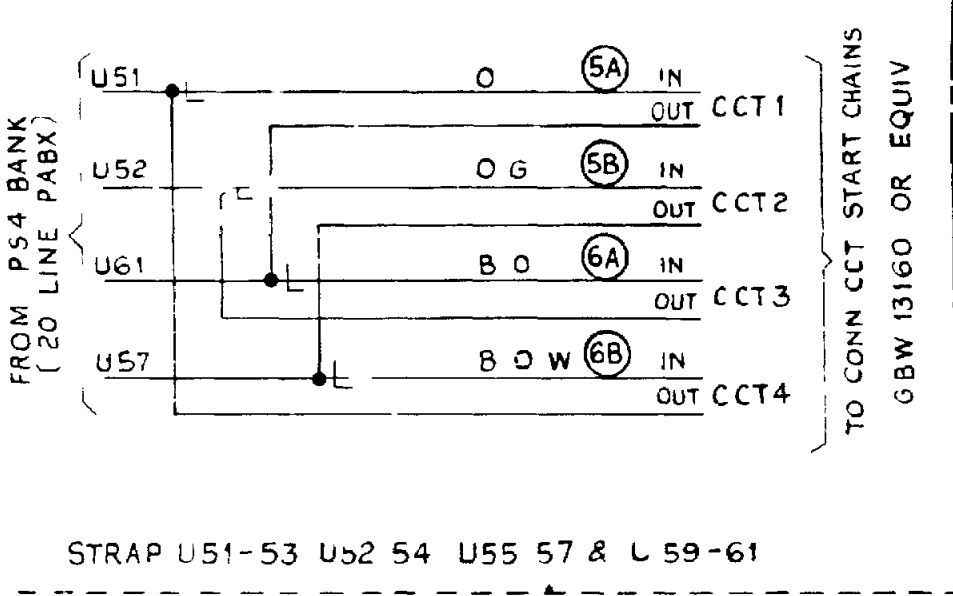


FIG 1 C EXCH LINE CCT START CHAIN

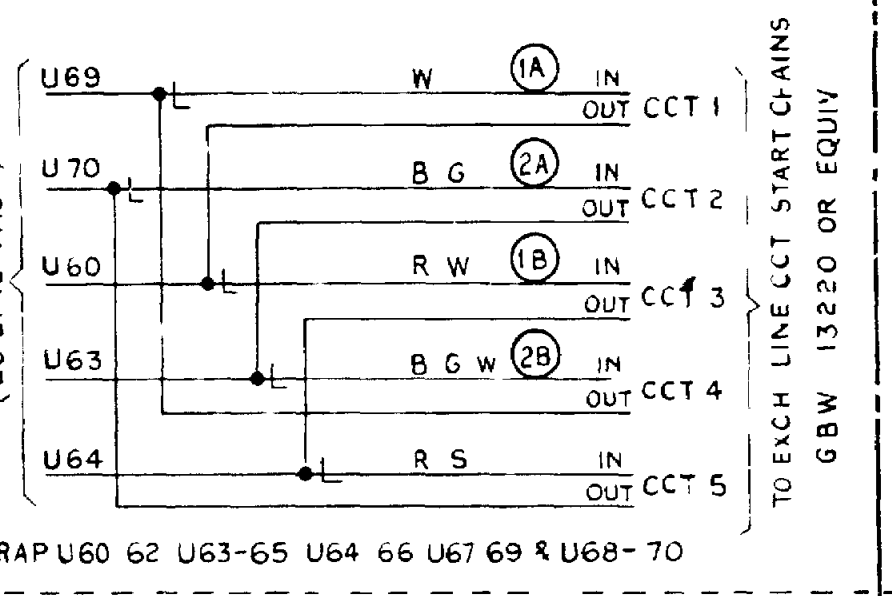


FIG 1 D TEST PULSES

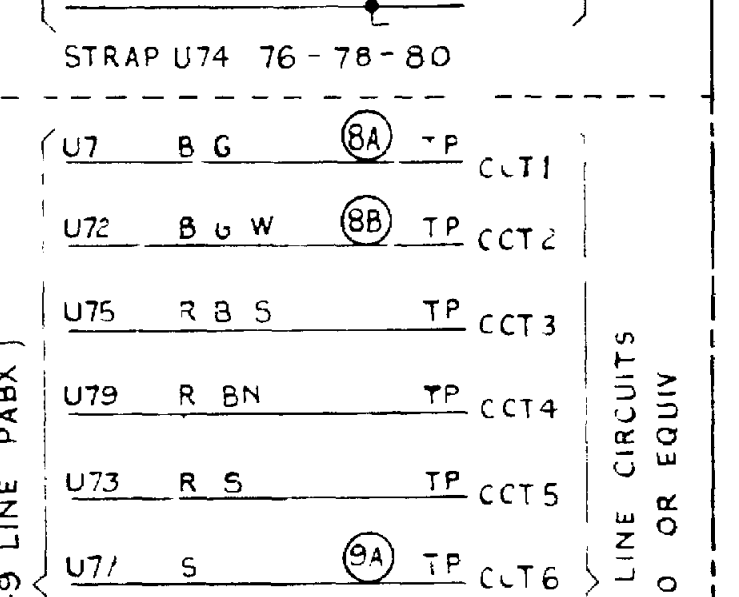
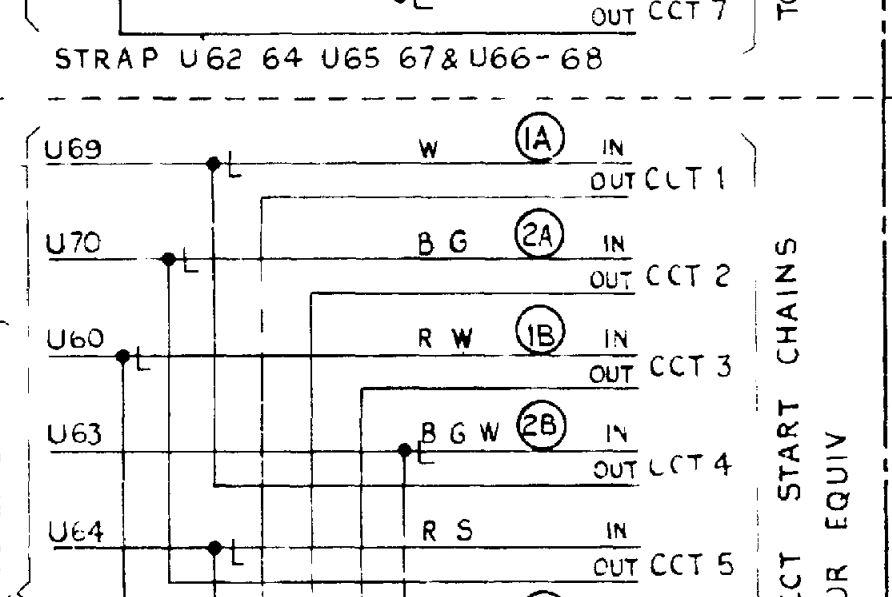
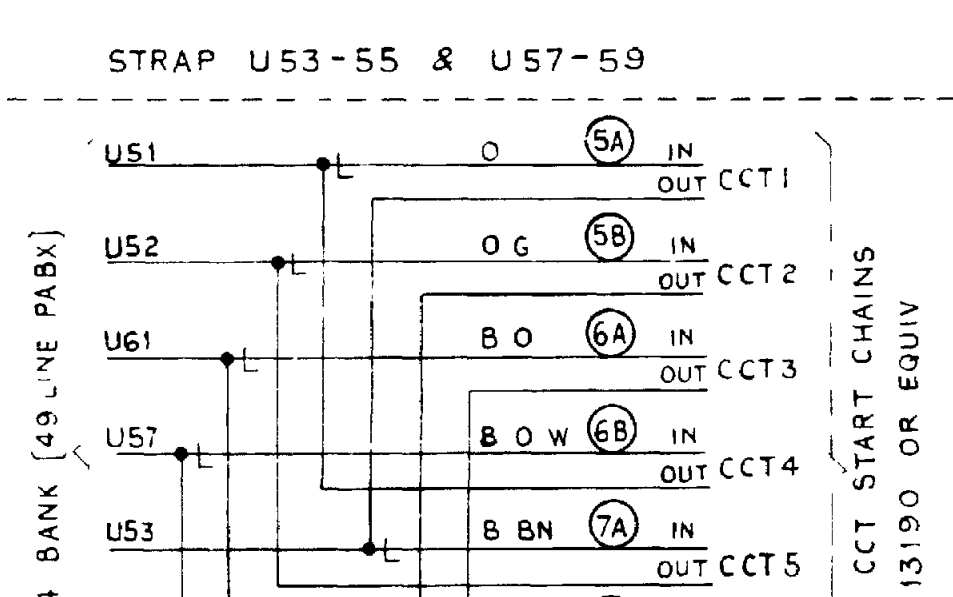
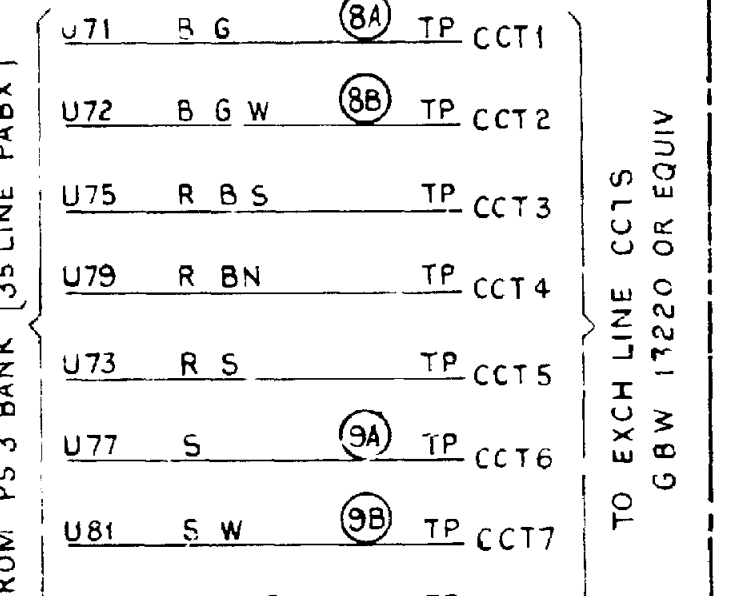
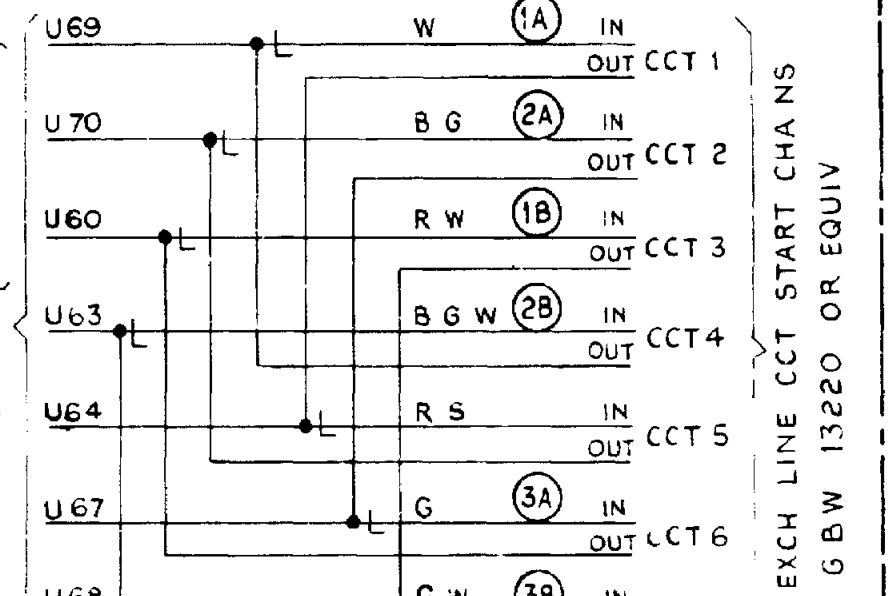
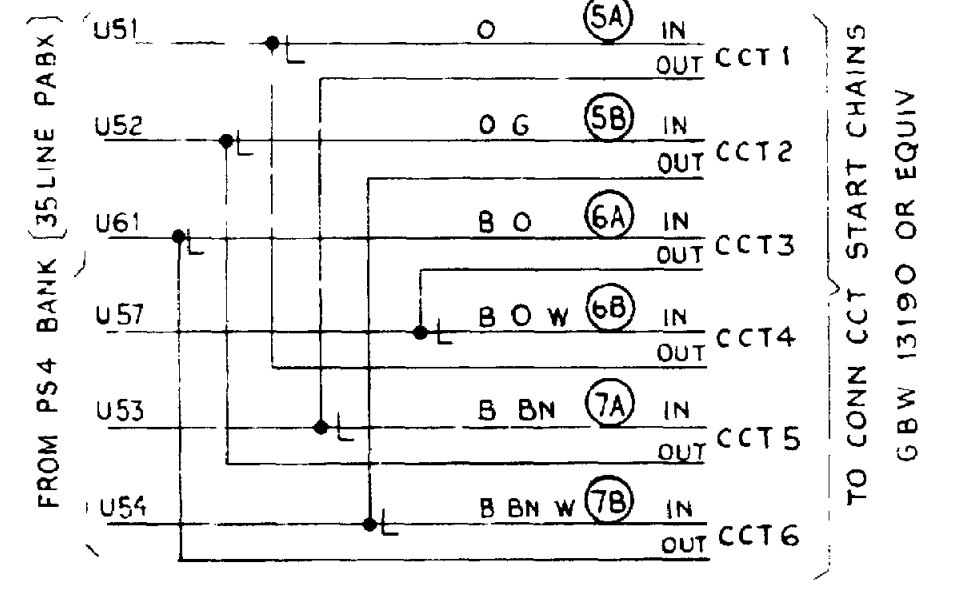
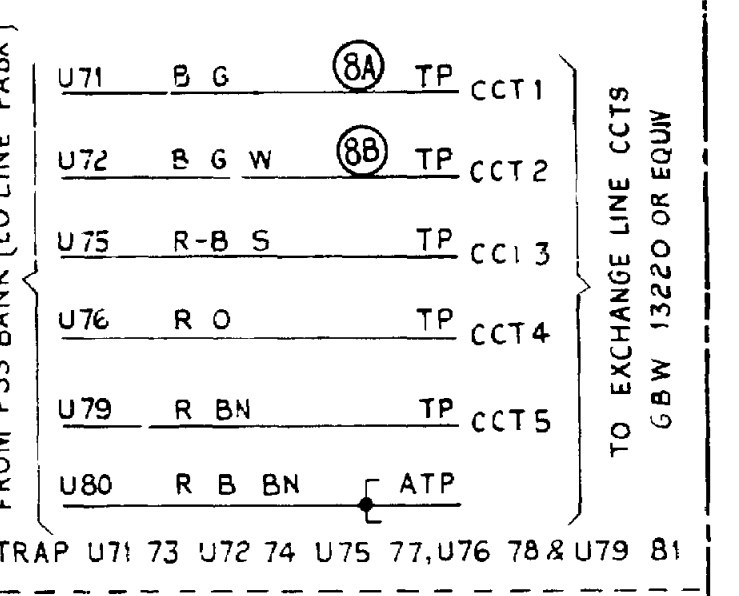
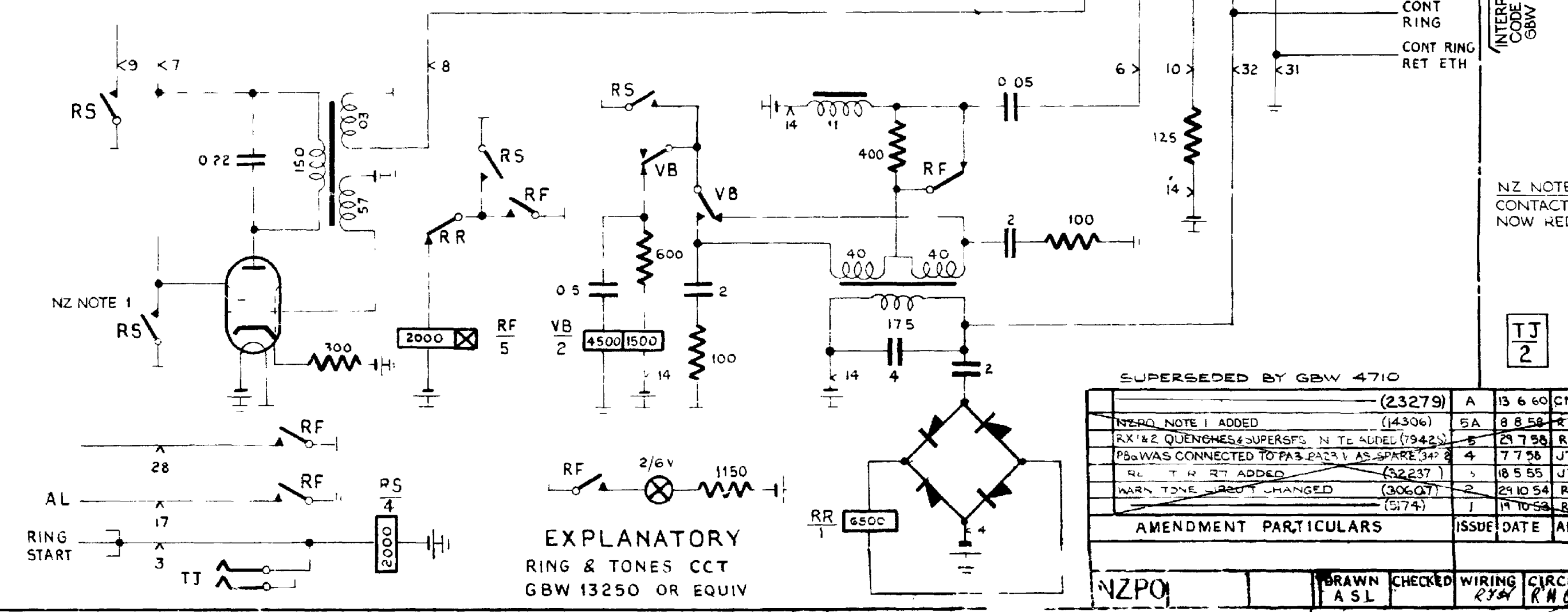
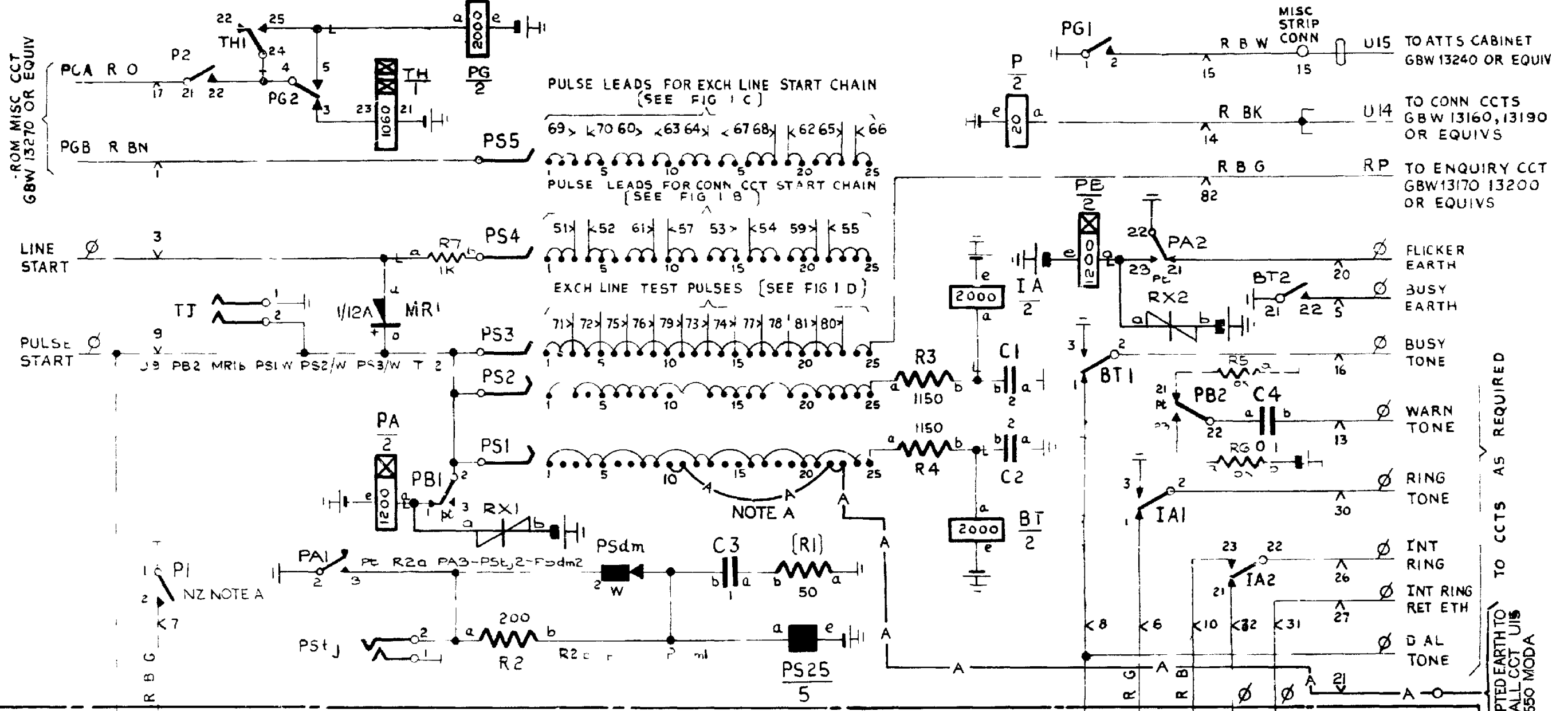


FIG 1 A PULSE CCT



- NOTES**
- FUSE 15 AMP
 - FOR WIRING OF LEADS MARKED Ø SEE ASSOCIATED RACK COMMON SERVICES
GBW 13280 OR GBW 13300 OR EQUIVS
 - ALL WIRING BEARING A COLOUR CODE TO BE 23 SWG RELAY SET WIRING TO BE 25 SWG

NZ NOTES

A PROVIDE CONNS SHOWN - A-A-CALL SERVICE STRAP PS1 BANK ACCORDING TO LENGTH OF SIGNAL REQUIRED

- BATT BK FUSE (10B) U12
- BATT W U12 - I Ae Pe - PaE - PBe - R G - TH21 - PGe - o - Te
- EARTH R ETH BAR (10A) U11
- EARTH R U11 - R1 - R2 - R3 - R4 - R5 - R6 - R7 - R8 - R9 - R10 - R11 - R12 - R13 - R14 - R15 - R16 - R17 - R18 - R19 - R20 - R21 - R22 - R23 - R24 - R25 - R26 - R27 - R28 - R29 - R30 - R31 - R32 - R33 - R34 - R35 - R36 - R37 - R38 - R39 - R40 - R41 - R42 - R43 - R44 - R45 - R46 - R47 - R48 - R49 - R50 - R51 - R52 - R53 - R54 - R55 - R56 - R57 - R58 - R59 - R60 - R61 - R62 - R63 - R64 - R65 - R66 - R67 - R68 - R69 - R70 - R71 - R72 - R73 - R74 - R75 - R76 - R77 - R78 - R79 - R80 - R81 - R82 - R83 - R84 - R85 - R86 - R87 - R88 - R89 - R90 - R91 - R92 - R93 - R94 - R95 - R96 - R97 - R98 - R99 - R100

SUPERSEDED BY GBW 4710

AMENDMENT PARTICULARS	ISSUE DATE	APPD	REF	SIZE	50Y W
(23279)	A	13 6 60	CNC		
NERO NOTE 1 ADDED (14306)	5A	8 8 58	RP		
RX122 QUENCHED & SUPERSEDED IN TE ADDED (79425)	5	29 7 58	RJP		
PB2 WAS CONNECTED TO PA3 PA2 1 AS SPARE (3428)	4	7 7 58	JTR		
RL TH RT ADDED (32237)	3	18 5 55	JTR		
WARN TONE BUILT CHANGED (30607)	2	29 10 54	RL		
(5174)	1	19 10 54	RL		

PULSE CIRCUIT
20, 35 & 49 LINE PABX
WITH AUXILIARY SERVICES

GBW 13260 MOD A

NZPO

BROWN CHECKED WIRING CIRCUIT RHE

SLOW RELEASE

SLOW OPERATE