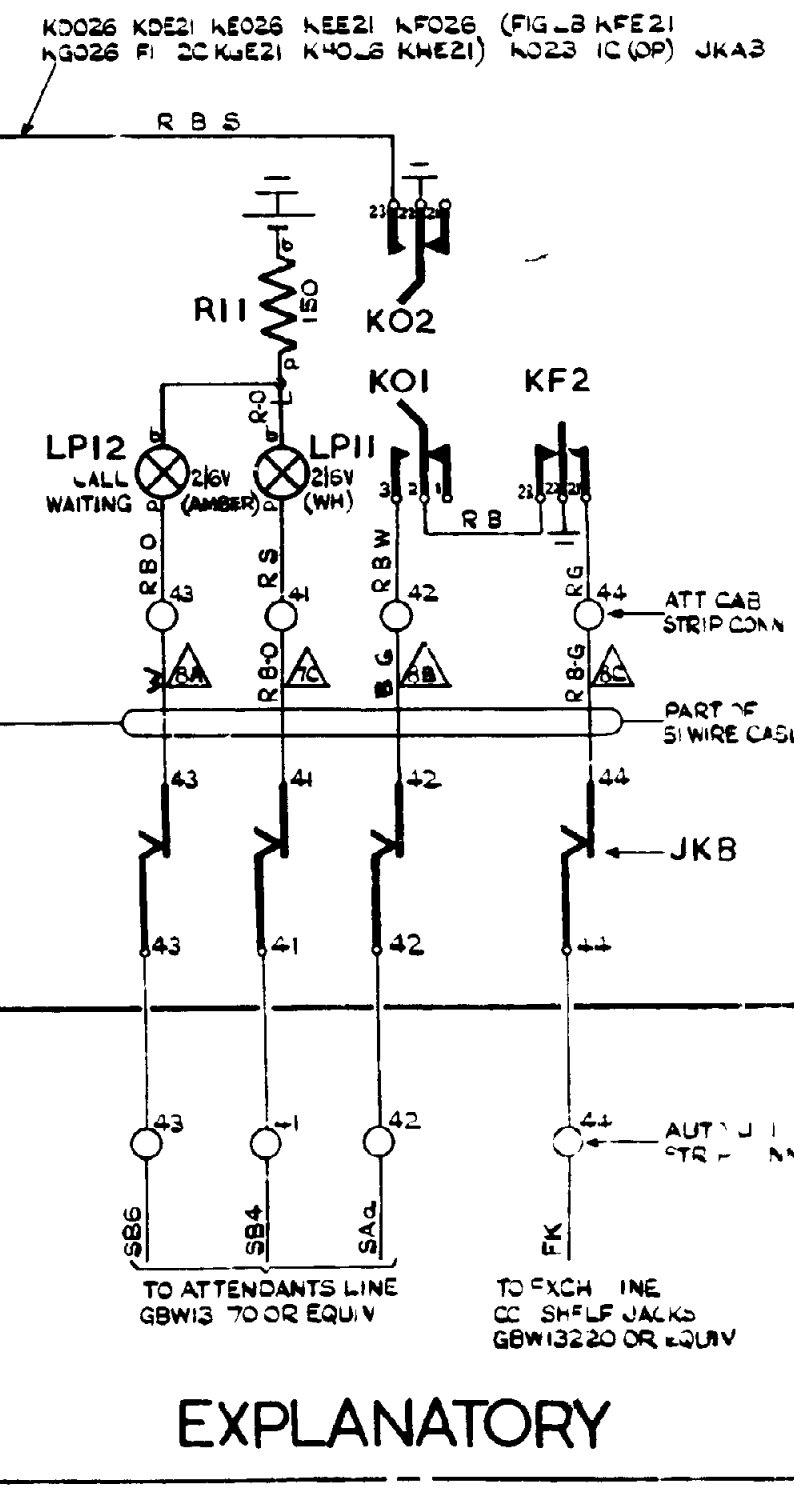
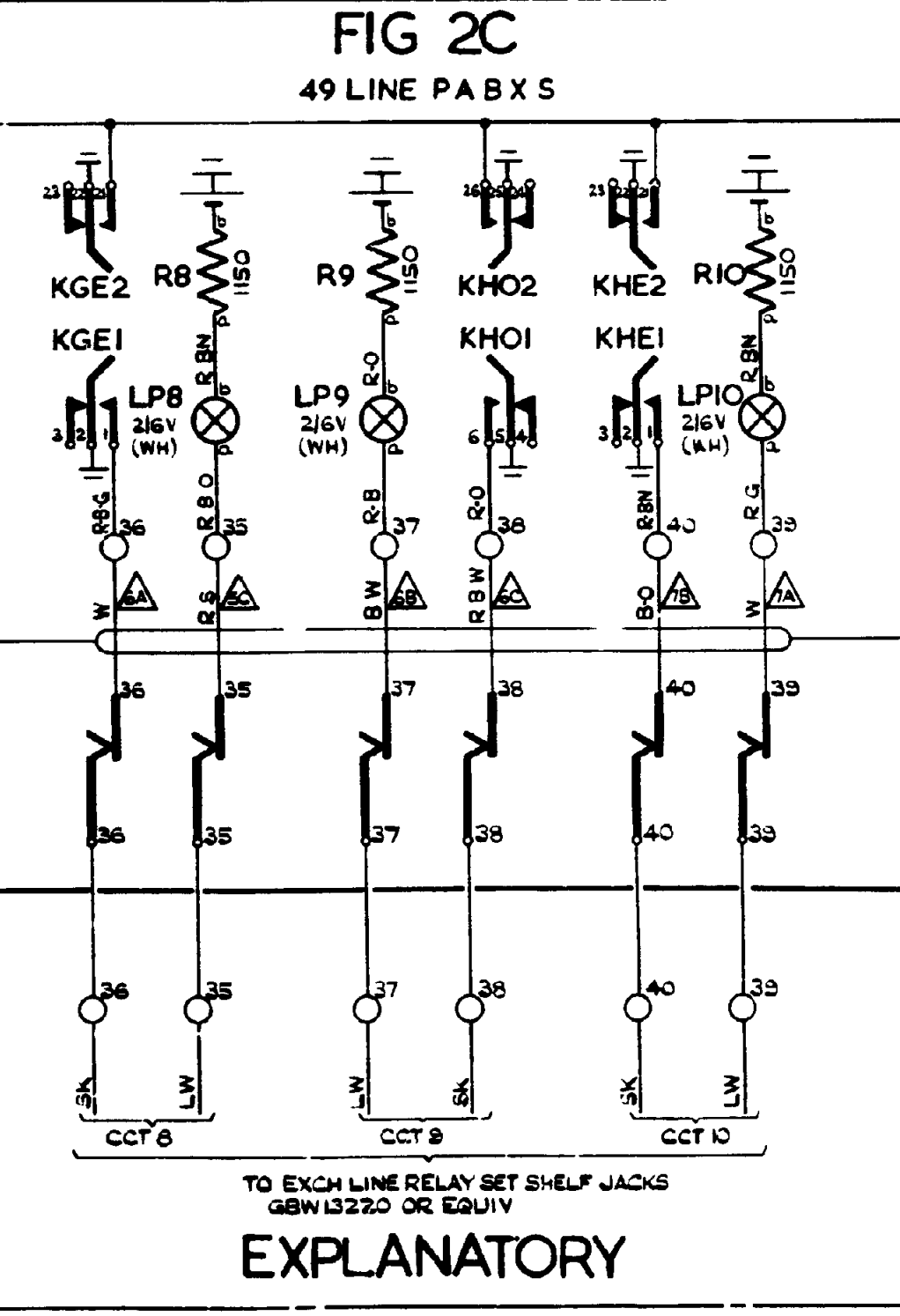
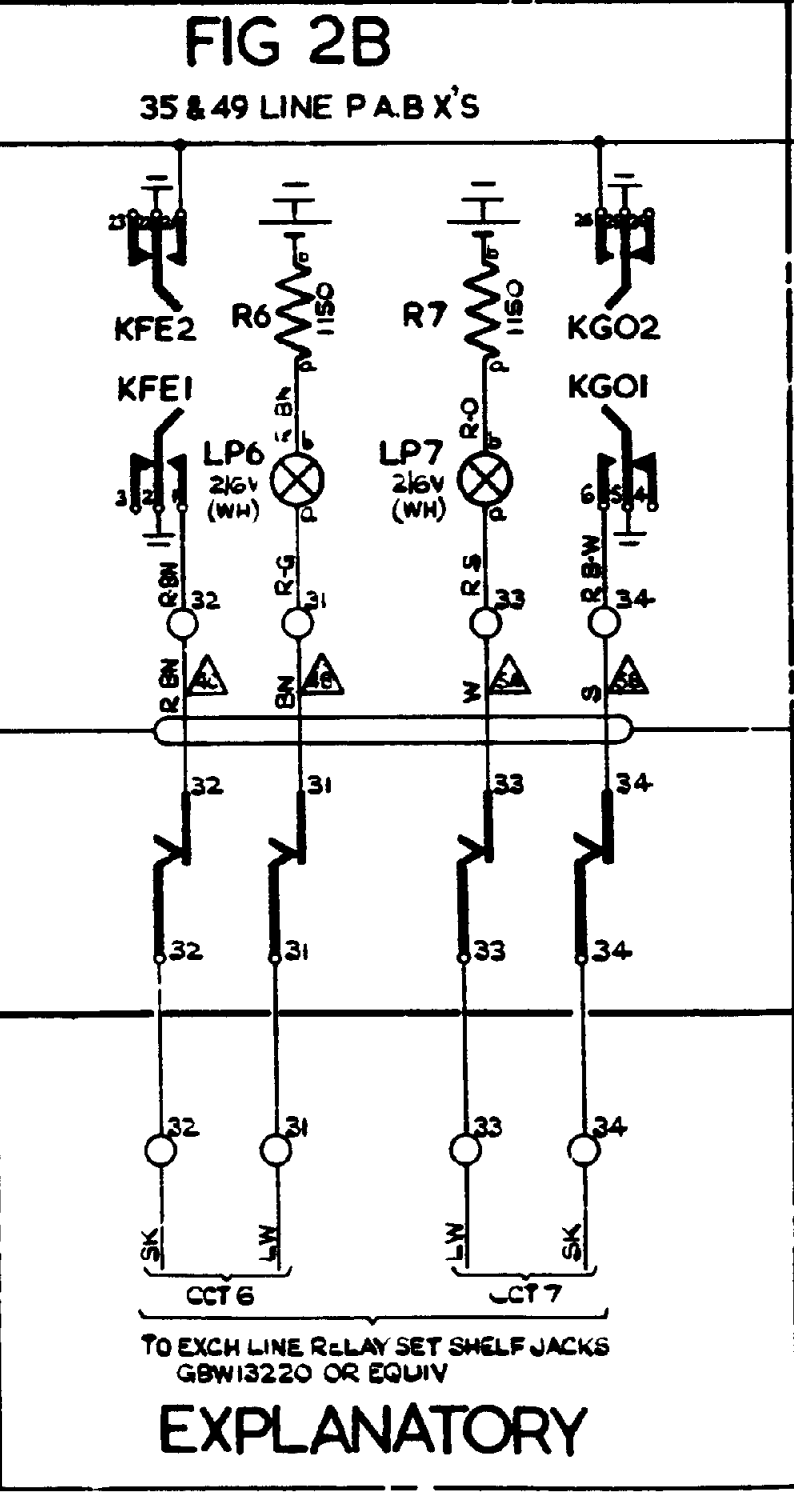
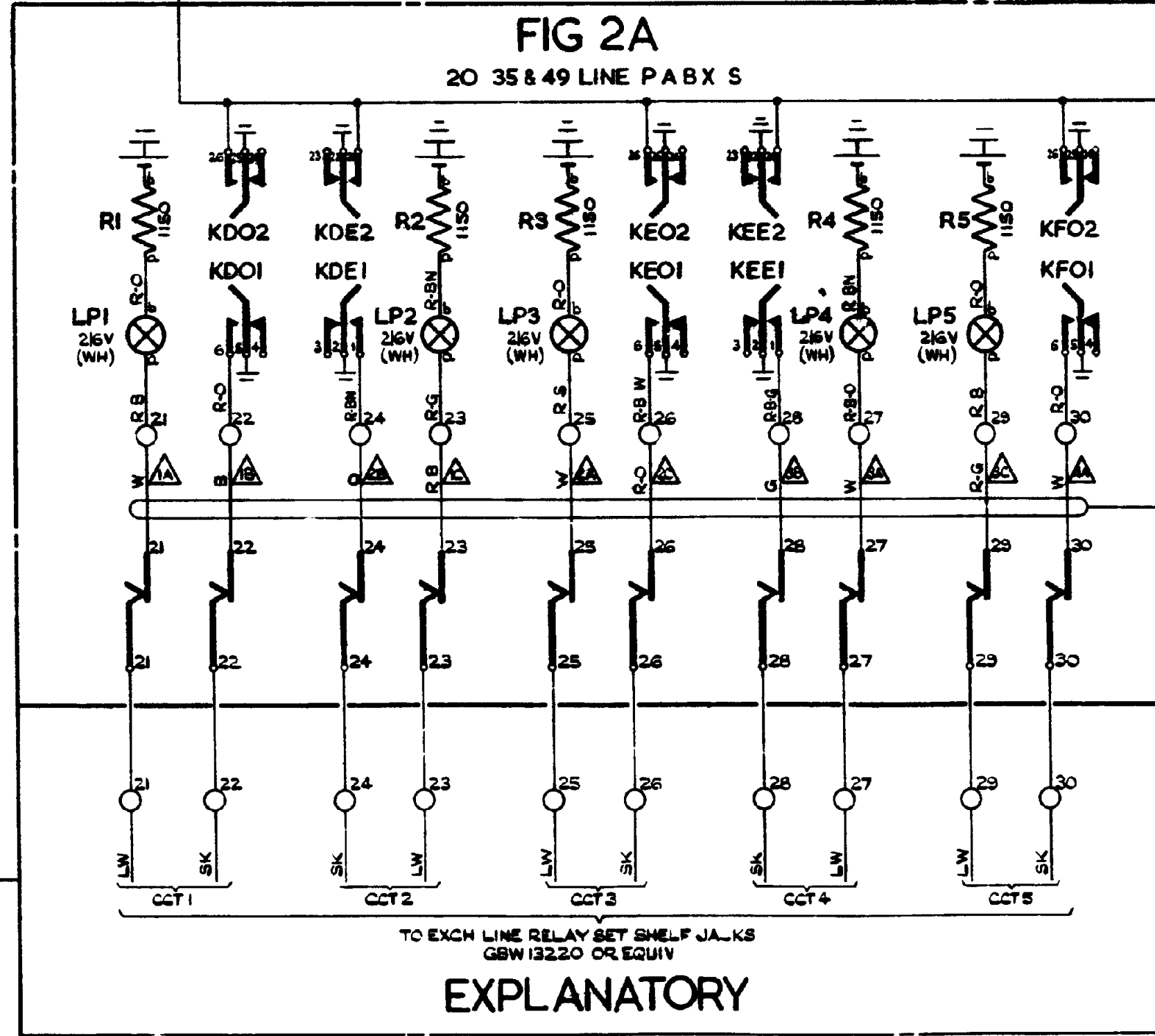
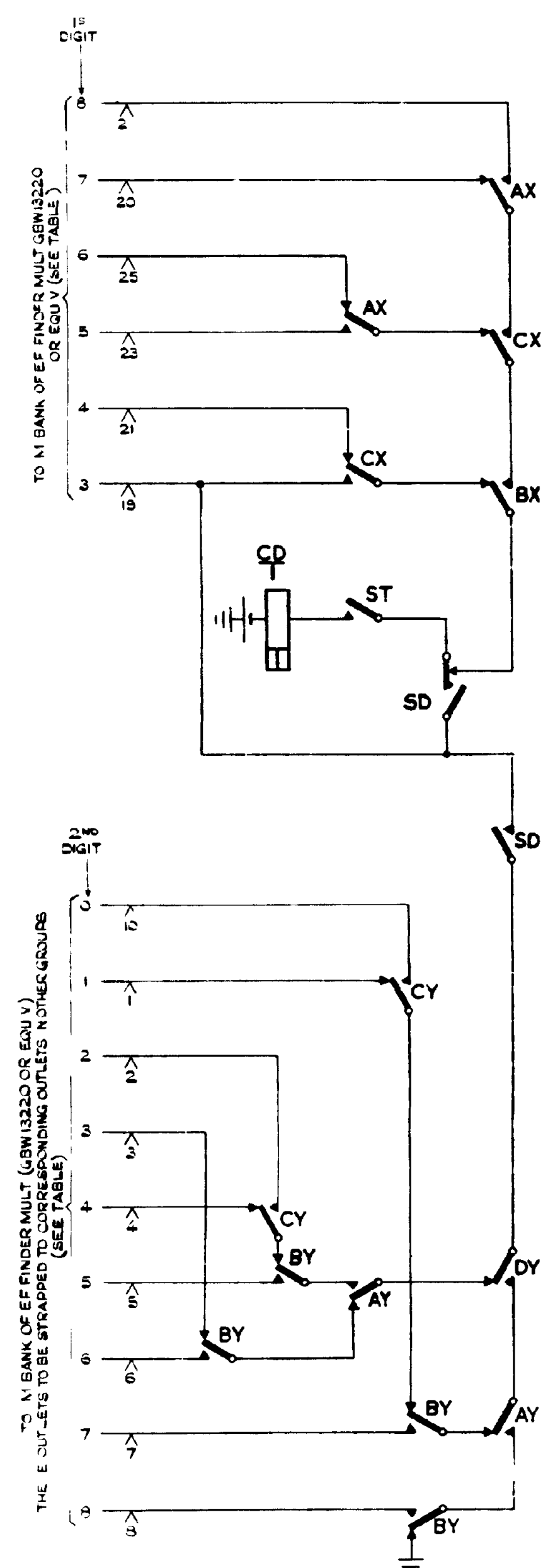
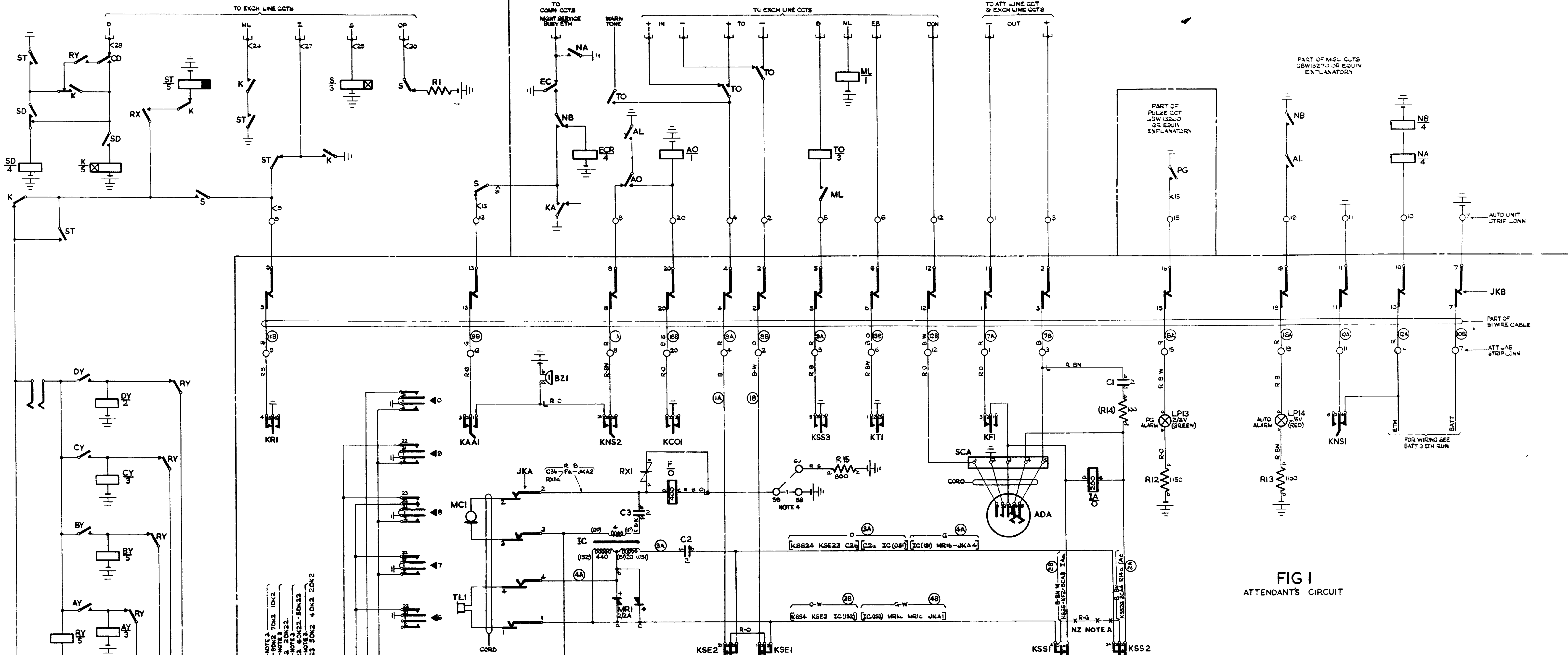


STORAGE CODE			
FIRST DIGIT RELAYS		SECOND DIGIT RELAYS	
1	CK	6	BK
2	AX CK	7	BK LK
3	LX	8	AX BK LK
4	AX	9	AY
5	AX BK	0	CX
6	BY	1	DY
7	BY DY	2	AY LY
8	AY BY DY	3	CY
9	AY BY DY	4	AY
0	CY DY	5	AY BY



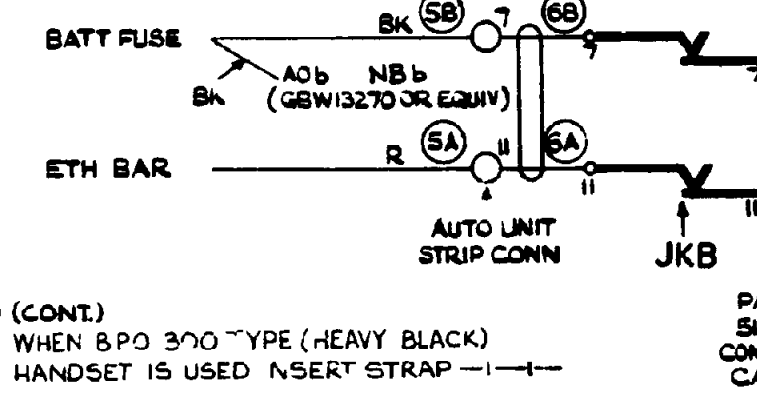
WIRING OF M BANK			
DIGIT	20 LINE PABX	35 LINE PABX	49 LINE PABX
1st DIGIT	4	1	1
2nd DIGIT	1	2	2
3rd DIGIT	2	3	3
4th DIGIT	3	4	4
5th DIGIT	4	5	5
6th DIGIT	5	6	6
7th DIGIT	6	7	7
8th DIGIT	7	8	8
9th DIGIT	8	9	9
0th DIGIT	9	0	0

EXCH LINE SPEAK (KDO, KKE) + EXCH LINE SPEAK (KDO, KKE)	
0 LINE (KGO)	ALARM CUT OFF (KCO)
SPEAK EXTN (KSS)	+ SPEAK EXTN (KSS)
NIGHT SERVICE (KNS)	+ AUDIBLE ALARM (KAA)
RELEASE (KRI)	+ FLASH & CANCEL (KRF)
ENGAGED TEST (KT)	

NOTES

- FIGS 1 & 2 1 SA FUSE
- ALL WIRING BEARING A COLOR CODE TO BE 25 SWG EXCEPT WHERE SHOWN IN CABLE OR WHERE OTHERWISE SPECIFIED
- COMMON POINTS ON THE DIGIT KEY STRIP MAY BE CONNECTED WITH 25 SWG BTC WITH BLACK SLEEVING (RED SLEEVING FOR EARTH RUN) OR BY LOOPING THE MAIN WIRE OVER THE COMMON POINTS

N.Z. NOTE
A WHEN PARENT IS A UMX OR BMSB TELETYPE WIRING -X-X-X-



NOTES (CONT.)

- WHEN B PD 370 TYPE (HEAVY BLACK) HANDSET IS USED INSERT STRAP

SUPERSEDED BY GBW 13241			
NOTE 4 REPEATED	(99655) 5A	6 2/3 G.F.E	
NZ NOTE A ADDED	(30439) 4A	5 5/8 G.F.E	
REL. PULSE CONNECTED DIRECT TO BATTERY		19 6/48 R.P.	
FLASH STRIP ADDED		2	
FRAME EARTH CONNECTION ADDED		1	
AMENDMENT PARTICULARS	ISSUE DATE	APP.	

ATTENDANT'S CIRCUIT 20, 35 & 49 LINE PABX'S

N.Z.P.O. DRAWN BY: [] CHECKED: [] WIRING: [] CIRCUIT: []

GBW. 13240