

FIG 5
MDF

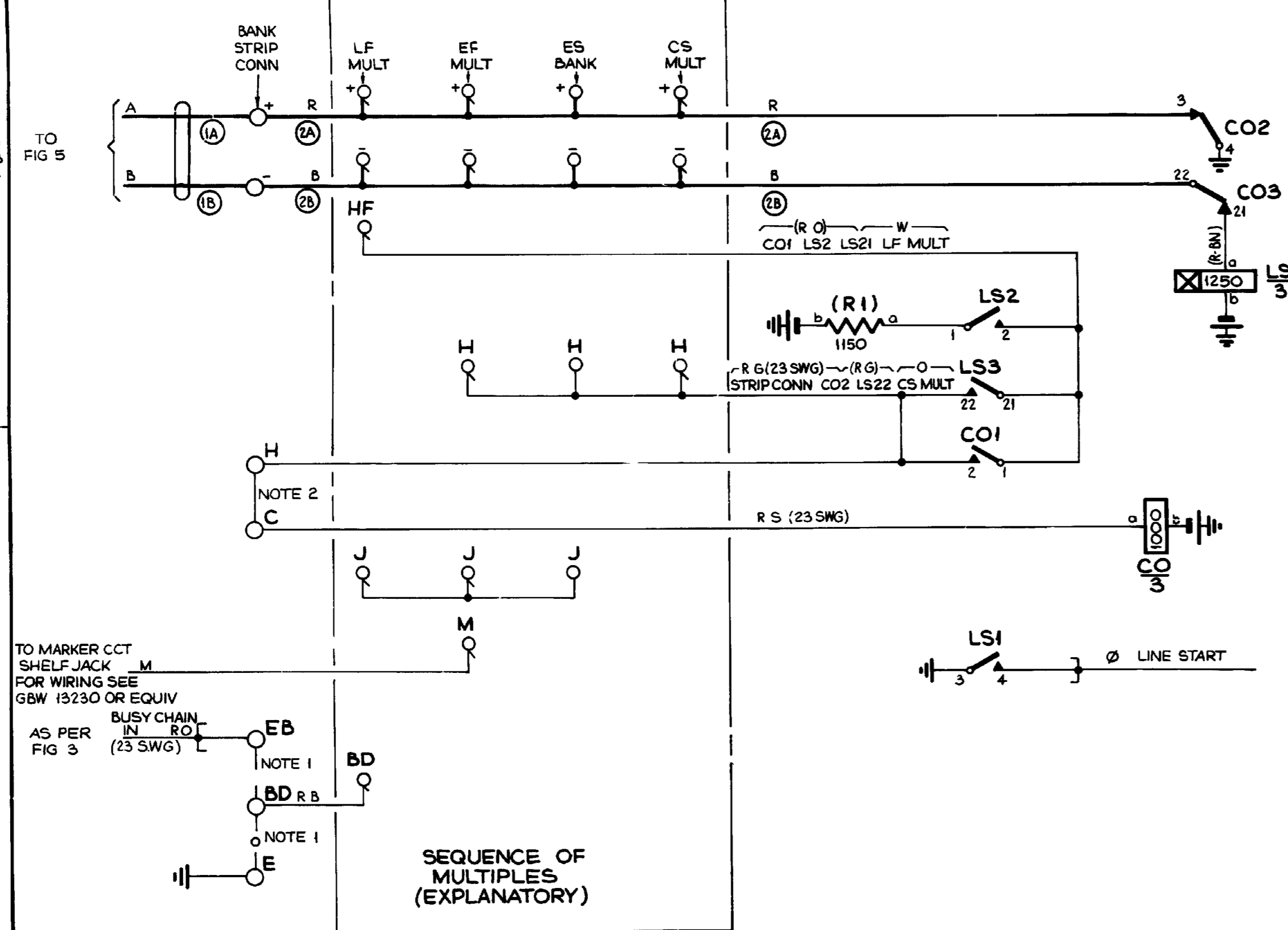


FIG 1
NORMAL EXTENSION LINE
(20 LINE PA BX)

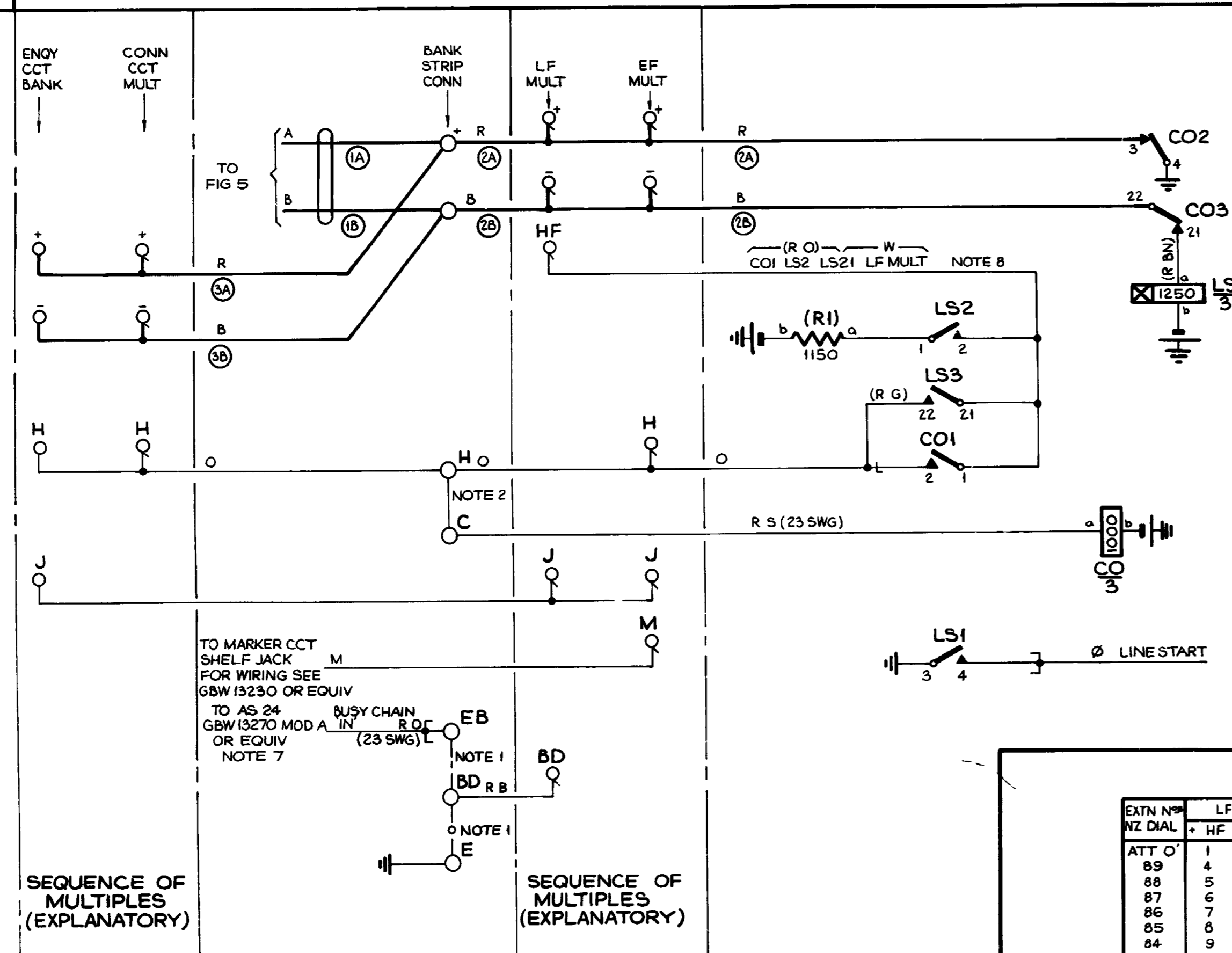


FIG 3
NORMAL EXTENSION LINE
(35/49 LINE PA BX)

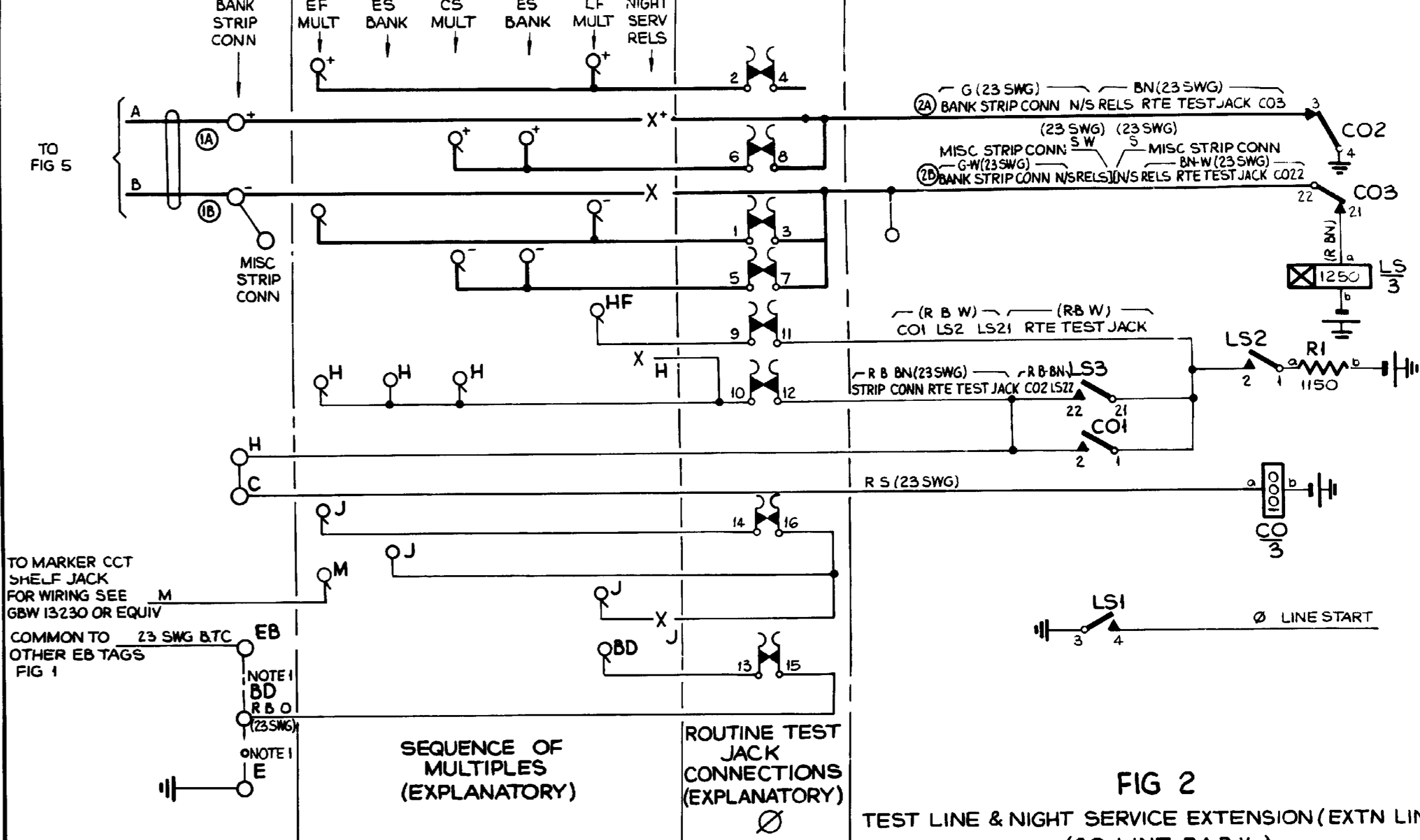


FIG 2
TEST LINE & NIGHT SERVICE EXTENSION (EXTN LINE 89)
(20 LINE PA BX)

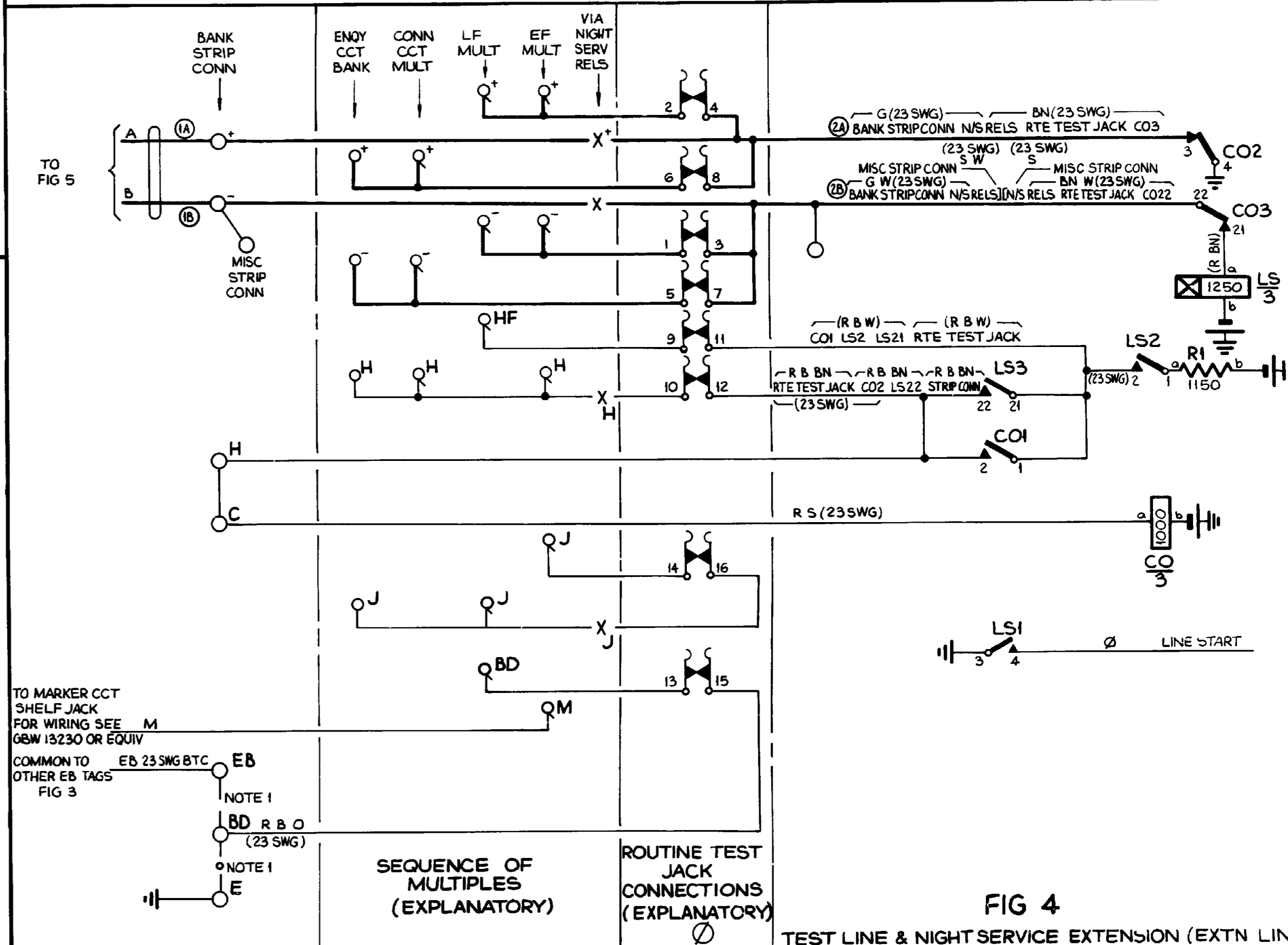
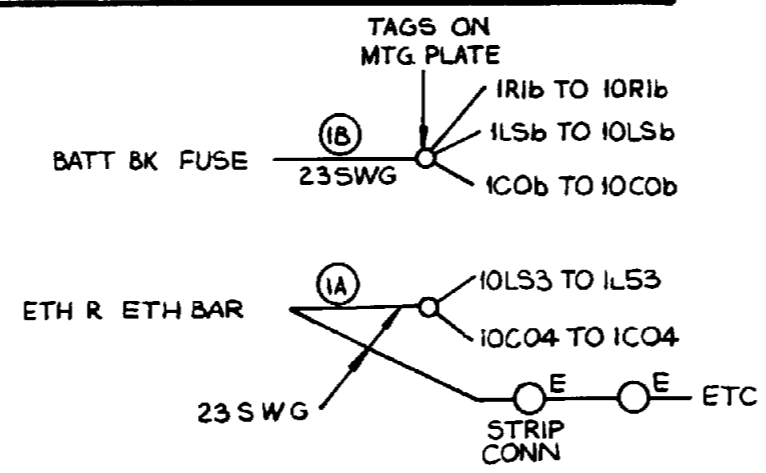


FIG 4
TEST LINE & NIGHT SERVICE EXTENSION (EXTN LINE 89)
(35/49 LINE PA BX)

- NOTES -**
- FOR EXTENSIONS BARRED DIRECT ACCESS TO MAIN EXCHANGE CUT STRAPS SHOWN AND ADD STRAPS SHOWN
 - CUT STRAPS H C ON UNALLOTTED LINES
 - FOR WIRING OF LEADS MARKED Ø SEE RELEVANT COMMON SERVICE DIAGRAM
 - ALL WIRING TO BE 25 SWG UNLESS OTHERWISE SPECIFIED PLATE STRAPPING TO BE 23 OR 25 SWG IF 25 SWG IS USED COLOURS IN BRACKETS TO BE DISREGARDED
 - FUSE 1.5A PER 10 CCTS
 - GBW NUMBERS SHOWN IN BRACKETS REFER TO EQUIPMENTS MANUFACTURED TO SPECIFICATIONS 051035 & 051058
 - WHEN BARRED EXTNS ARE PERMITTED TO ESTABLISH DIAL 3 CALLS AS4 ONLY IS WIRED TO EB TAG CS 22 IS WIRED DIRECT TO CONN CCT BANK OUTLETS
 - ON SOME 35 LINE SYSTEMS THE HF MULT WIRING IS BROWN INSTEAD OF WHITE



OUTLETS TO BE MULTIPLED & WIRED

20 LINE PA BX							35 & 49 LINE PA BX						
EXTN N°	LF	CS	ES	EF			EXTN N°	LF	CS	ES	EF		
NZ DIAL	HF	BD	H	HJ	HJ	M	NZ DIAL	HF	BD	H	HJ	HJ	M
ATT 0	4	4	4	4	4	4	ATT 0 (08)	02	02	21	50	1	1
89	4	4	4	4	4	4	89	21	21	21	1	1	1
88	5	5	5	5	5	5	80	20	20	20	10	10	10
87	6	6	6	6	6	6	79	31	31	31	11	11	11
86	7	7	7	7	7	7	80	20	20	20	10	10	10
85	8	8	8	8	8	8	79	31	31	31	11	11	11
84	9	9	9	9	9	9	70	30	30	30	20	20	20
83	10	10	10	10	10	10	69	41	41	41	21	21	21
82	11	11	11	11	11	11	69	41	41	41	21	21	21
81	12	12	12	12	12	12	60	40	40	40	30	30	30
80	13	13	13	13	13	13	59	51	51	51	31	31	31
79	15	15	15	15	15	15	55	55	55	55	35	35	35
78	16	16	16	16	16	16	54	56	56	56	36	36	36
77	17	17	17	17	17	17	50	50	50	40	40	40	40
76	18	18	18	18	18	18	49	61	61	61	41	41	41
75	19	19	19	19	19	19	41	69	69	69	49	49	49
74	20	20	20	20	20	20	CALL WAITING (08) PARKING POSN	-	-	-	-	-	-
73	21	21	21	21	21	21	CALL WAITING (08) PARKING POSN	-	-	-	-	-	-
72	22	22	22	22	22	22	CALL WAITING (08) PARKING POSN	-	-	-	-	-	-
71	23	23	23	23	23	23	CALL WAITING (08) PARKING POSN	-	-	-	-	-	-
70	24	24	24	24	24	24	CALL WAITING (08) PARKING POSN	-	-	-	-	-	-

EXTENSION LINE CIRCUITS
20 & 35/49 LINE PA BX'S
HAVING OUT SERVICE ON TWO ROUTES (DIAL 1 & 3)

RETRACTED FROM ISS C OF G 9-67 NOTE B ADDED (12099) D 21 11 73 GFE
8263 A 7 11 57 C/N/C

AMENDMENT PARTICULARS ISSUE DATE APPD

SIZE A1 SOV W

GBW 13210 MOD A